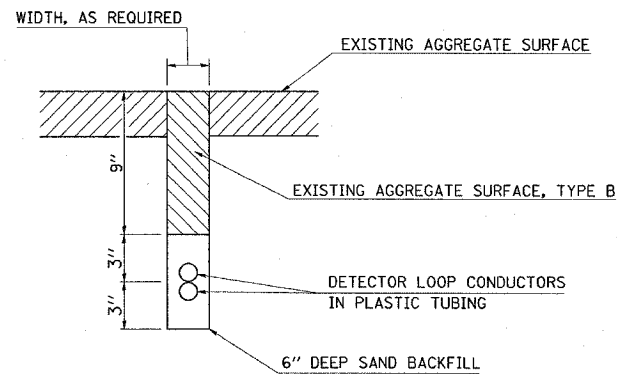


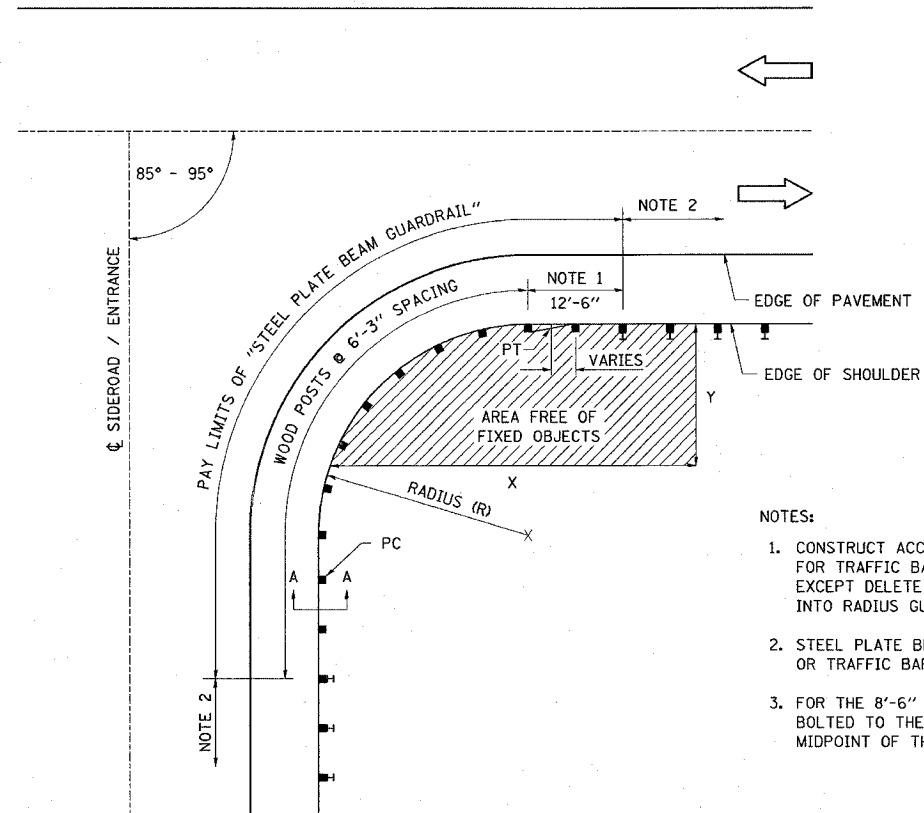
F.A.P. RTE.	SECTION	COUNTY	TOTAL SHEETS	SHEET NO.
793	112BR-2	BOND	52	24
STA.		TO STA.		
FED. ROAD DIST. NO.		ILLINOIS FED. AID PROJECT		



DETAIL
DETECTOR LOOP INSTALLED IN TRENCH

INSTALLATION IS TO BE DONE IN CONFORMANCE WITH THE REQUIREMENTS OF THE PLANS AND SECTION 886 OF THE STANDARD SPECIFICATIONS WITH THE FOLLOWING EXCEPTIONS:

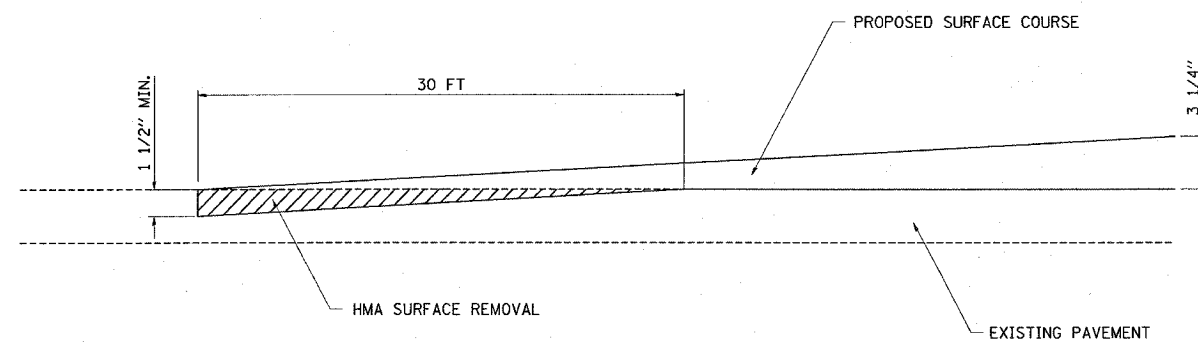
1. SLOTS ARE TO BE TRENCHED INSTEAD OF SAWED.
2. THIS WORK SHALL NOT BE PAID FOR SEPERATELY BUT SHALL BE INCLUDED IN THE COST OF TEMPORARY BRIDGE TRAFFIC SIGNALS - 1 EACH.



PLAN VIEW SHORT RADIUS GUARDRAIL DETAIL

NOTES:

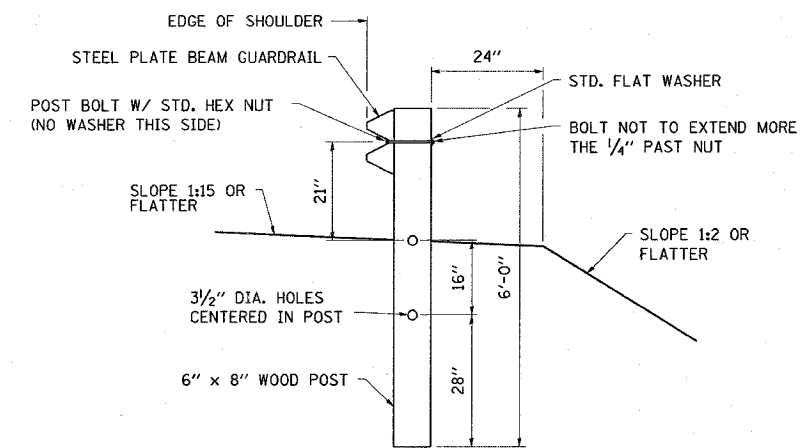
1. CONSTRUCT ACCORDING TO STANDARD 631011 FOR TRAFFIC BARRIER TERMINAL TYPE 2, EXCEPT DELETE END SECTION AND SPLICE INTO RADIUS GUARDRAIL.
2. STEEL PLATE BEAM GUARDRAIL TYPE A, TYPE B, OR TRAFFIC BARRIER TERMINAL AS SPECIFIED.
3. FOR THE 8'-6" RADIUS, THE RAIL IS NOT BOLTED TO THE POST LOCATED AT THE MIDPOINT OF THE CURVE.



BUTT JOINT DETAIL

NOTE: BUTT JOINT WIDTH SHALL INCLUDE SHOULDERS.

NOT TO SCALE



SECTION A-A

NOT TO SCALE

R	NO. OF WOOD POSTS	X	Y
8'-6"	5 (NOTE 3)	25'	15'
17'-0"	6	30'	15'
25'-6"	8	40'	20'
35'-0"	11	50'	20'

REVISIONS	
NAME	DATE

ILLINOIS DEPARTMENT OF TRANSPORTATION

MISCELLANEOUS DETAILS

FAP ROUTE 793
SECTION 112BR-2
BOND COUNTY
SN 003-0035