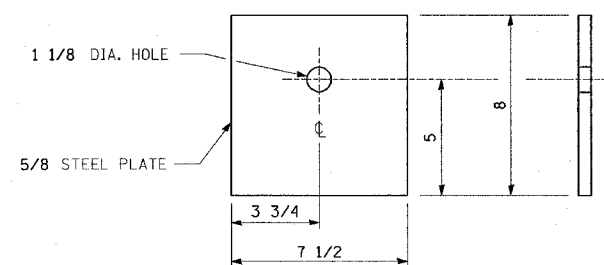
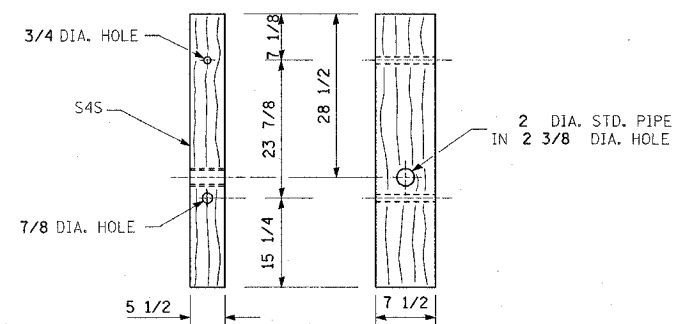


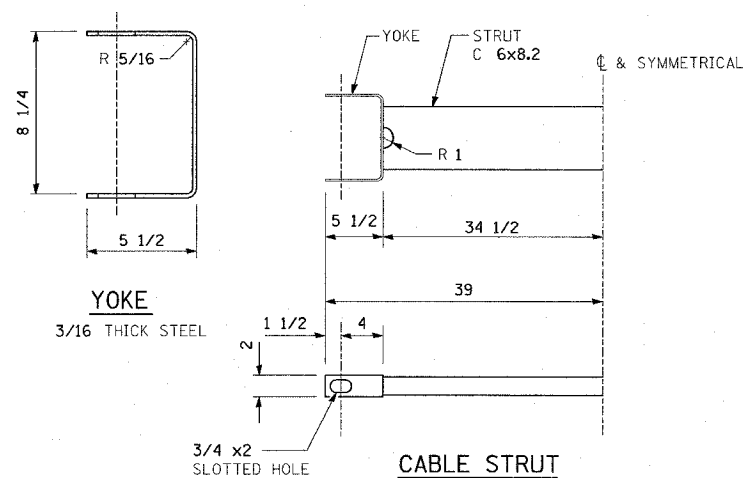
F.A.P. RTE.	SECTION	COUNTY	TOTAL SHEETS	SHEET NO.
793	112BR-2	BOND	52	26A
STA.		TO STA.		
FED. ROAD DIST. NO.		ILLINOIS FED. AID PROJECT		



BEARING PLATE K

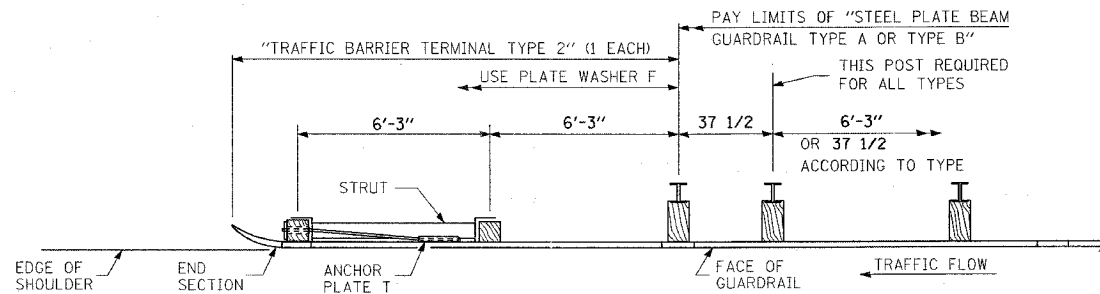


WOOD POST

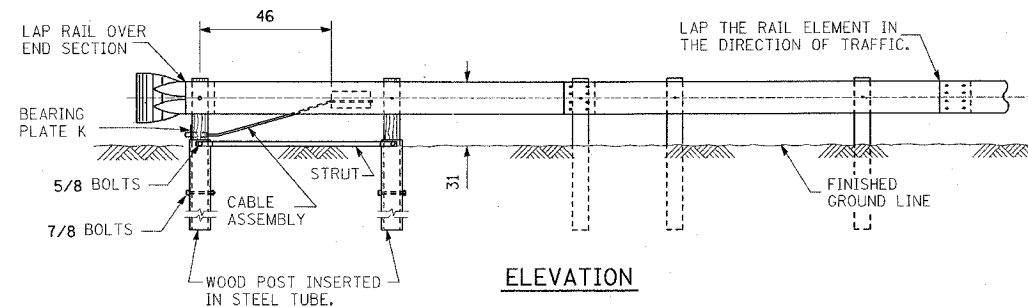


YOKE

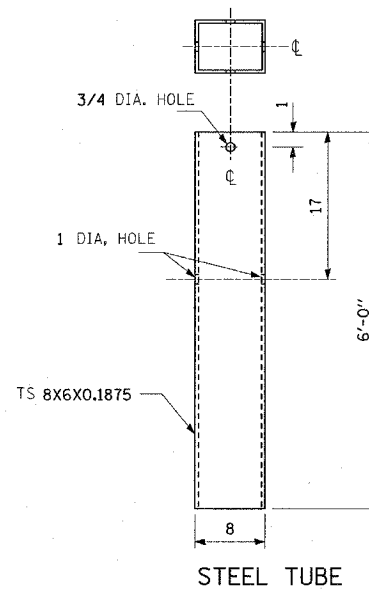
CABLE STRUT



PLAN



ELEVATION



STEEL TUBE

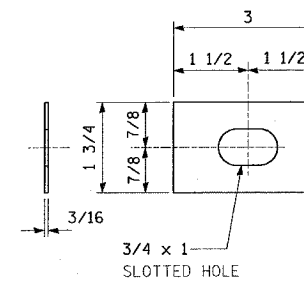


PLATE WASHER F

GENERAL NOTES

SEE STANDARD 630001 FOR DETAILS OF GUARDRAIL NOT SHOWN.

THE BEARING PLATE K SHALL BE HELD IN POSITION BY TWO (2) EIGHT PENNY NAILS DRIVEN INTO THE POST AND BENT OVER THE TOP OF THE PLATE.

ALL DIMENSIONS ARE IN INCHES UNLESS OTHERWISE SHOWN.

TRAFFIC BARRIER TERMINAL, TYPE 2

REVISIONS	
NAME	DATE

ILLINOIS DEPARTMENT OF TRANSPORTATION

MISCELLANEOUS DETAILS

FAP ROUTE 793  
SECTION 112BR-2  
BOND COUNTY  
SN 003-0035

PLOT DATE = 6/12/2007  
 FILE NAME = c:\projects\112br-2\112br-2\112br-2\112br-2.dgn  
 PLOT SCALE = 1/8" = 1'-0"  
 REFERENCE = #REF#