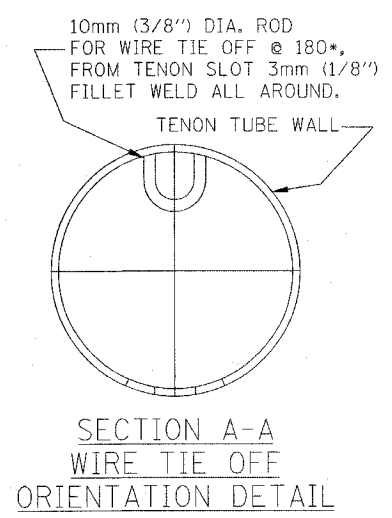
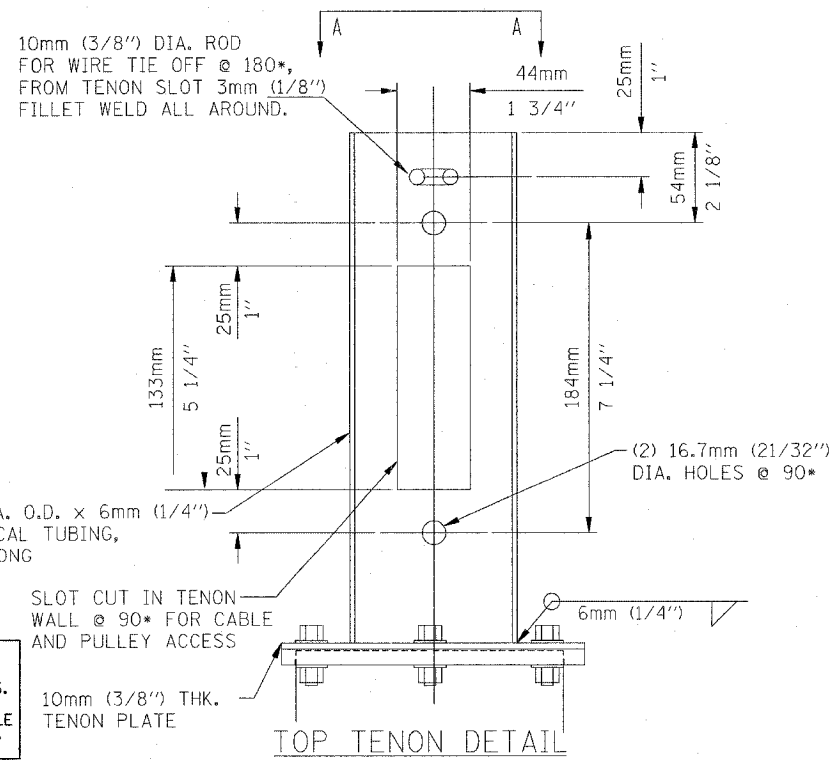
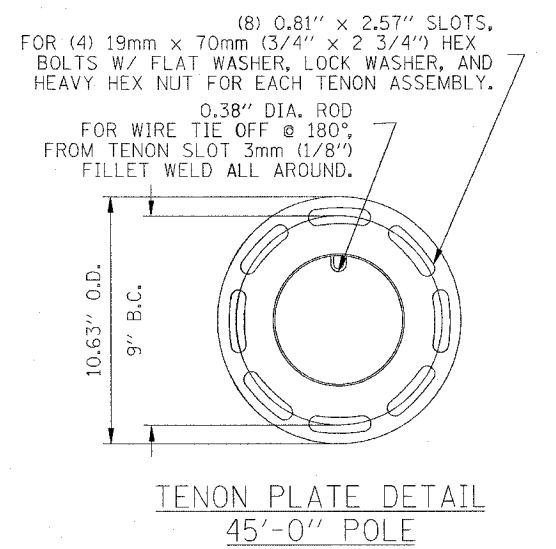
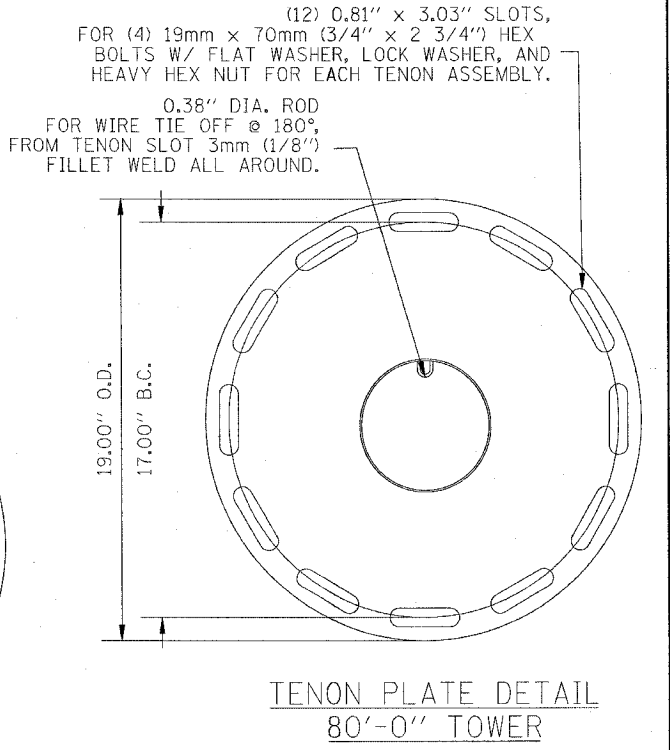
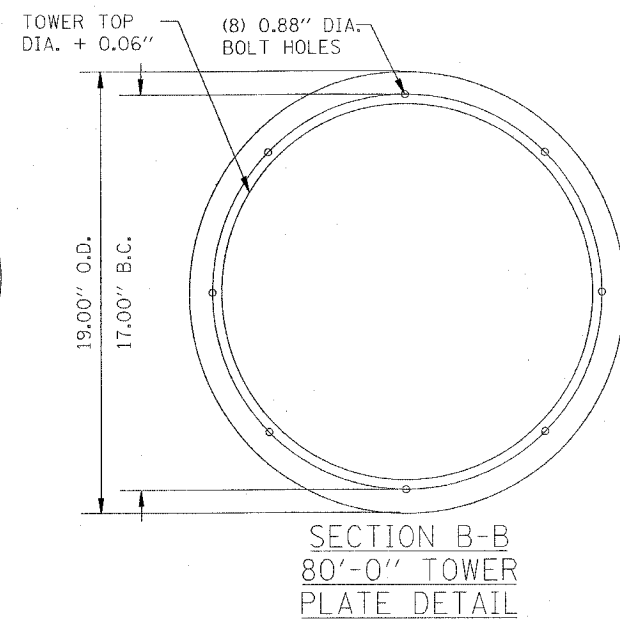
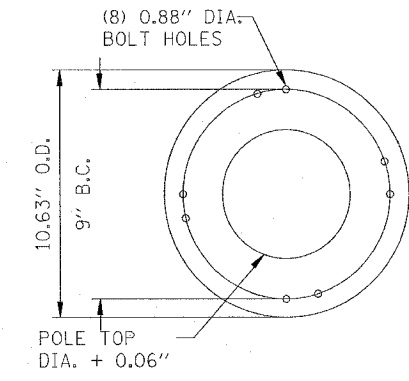
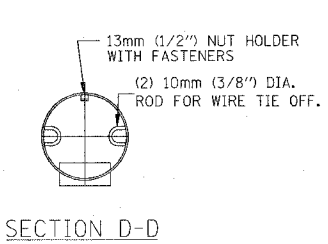
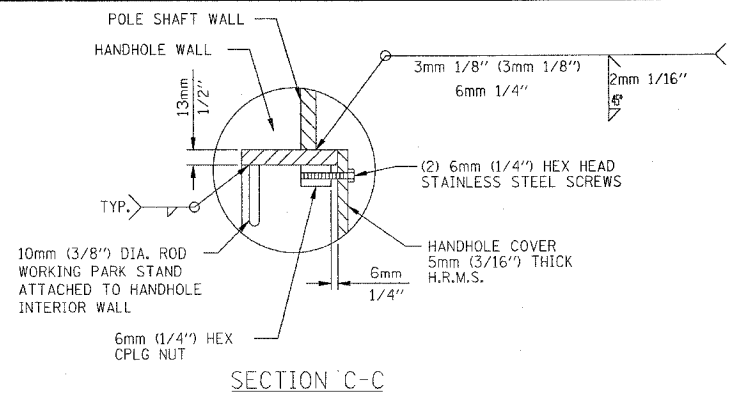
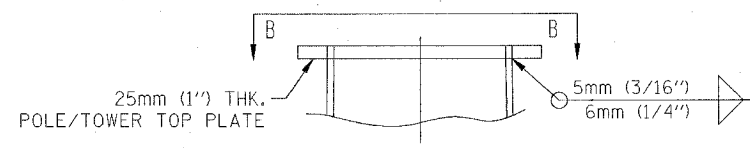
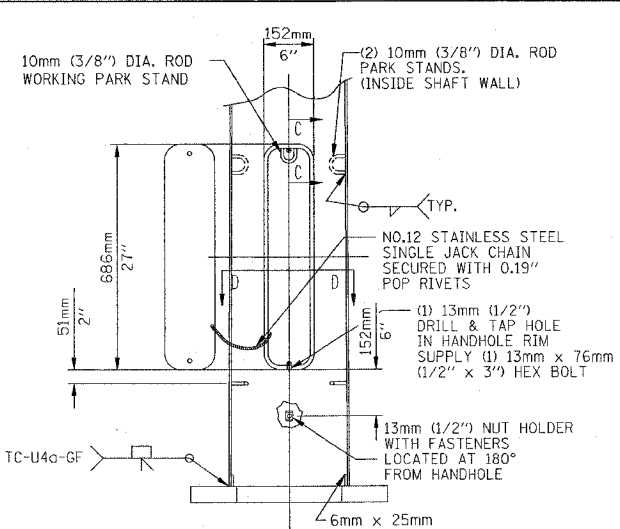
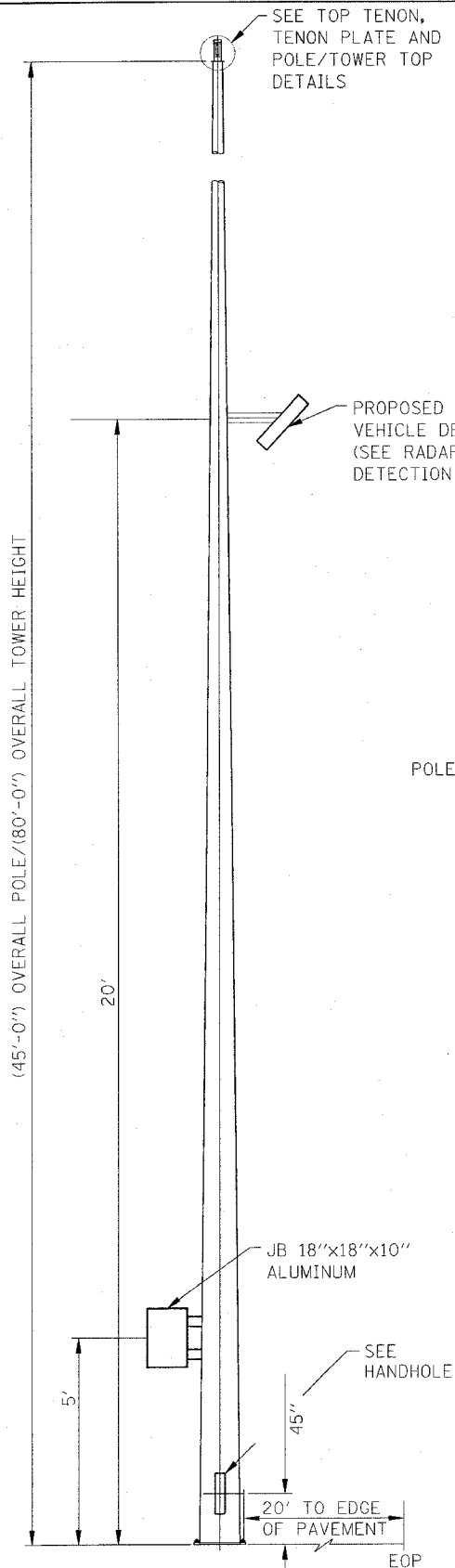


F.A.I. RTE.	SECTION	COUNTY	TOTAL SHEET NO.	SHEET NO.
..	..	ST. CLAIR	34	19
STA. TO STA.				
FED. ROAD DIST. NO. ILLINOIS FED. AID PROJECT				
..EAL.64/EAL.255..				
..DIST. 8 ITS 2008-1, 2C				



NOTE:
 45' POLE MATERIALS SHALL BE ACCORDING TO THE APPLICABLE PORTIONS OF SECTION 830 OF THE STANDARD SPECIFICATIONS.
 80' TOWER MATERIALS SHALL BE ACCORDING TO THE APPLICABLE PORTIONS OF SECTION 835 OF THE STANDARD SPECIFICATIONS

REVISIONS	
NAME	DATE

ILLINOIS DEPARTMENT OF TRANSPORTATION
 POLE AND TOWER MOUNTED CCTV DETAIL WITH CAMERA LOWERING DEVICE
 FAI 64/FAI 255
 SECTION DIST 8 ITS 2008-1, 2C
 ST. CLAIR COUNTY
 DATE 5/9/2007

PLOT DATE = 5/9/2007
 FILE NAME = c:\p\projects\7682\actual\top\top.dwg
 PLOT SCALE = 1:1
 REFERENCE = 00000