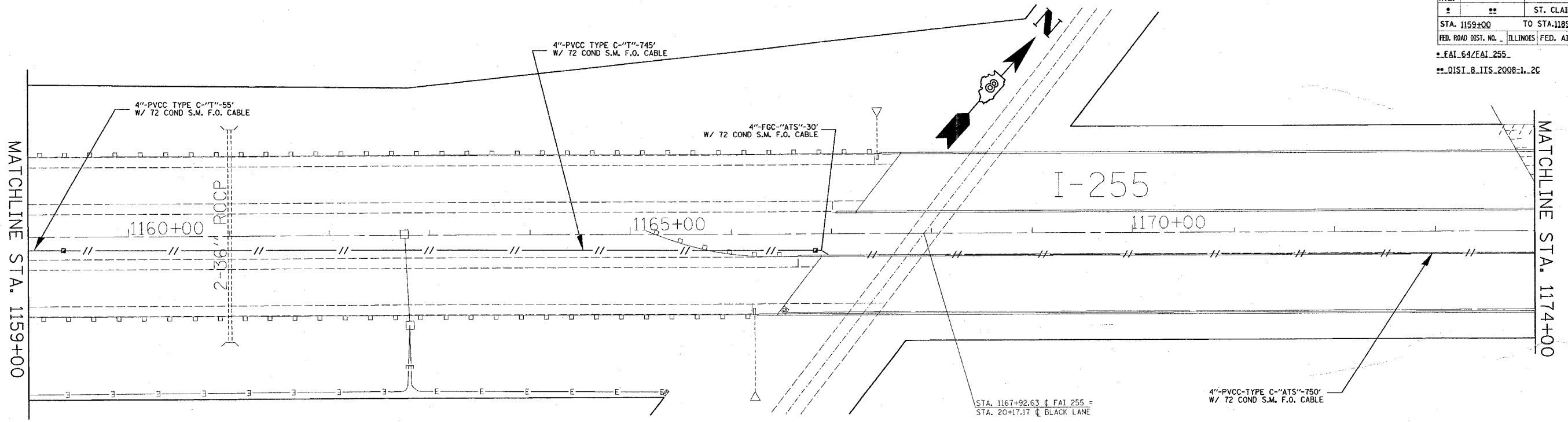


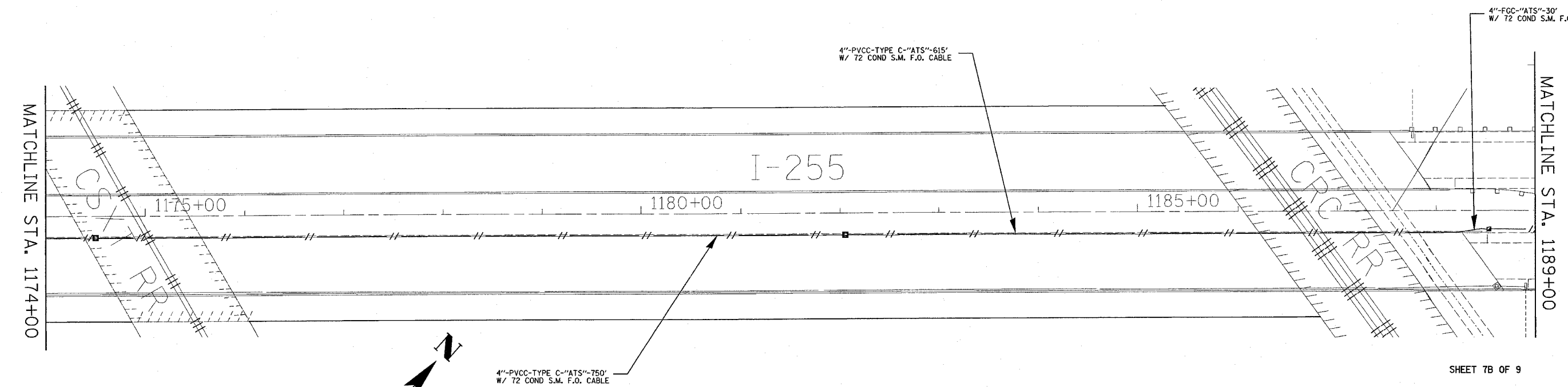
F.A.I. RTE.	SECTION	COUNTY	TOTAL SHEETS	SHEET NO.
#	##	ST. CLAIR	34	27
STA. 1159+00		TO STA. 1189+00		
FED. ROAD DIST. NO. ILLINOIS		FED. AID PROJECT		

*FAI 64/FAI 255
 **DIST 8 ITS 2008-1-2C



STA. 1167+92.63 & FAI 255 =
 STA. 20+17.17 & BLACK LANE

SHEET 7A OF 9



SHEET 7B OF 9

PLOT DATE = 6/5/2007
 FILE NAME = c:\projects\electrical\supp\06567.dgn
 PLOT SCALE = 50,000 / IN.
 REFERENCE = #REF#

REVISIONS	
NAME	DATE

ILLINOIS DEPARTMENT OF TRANSPORTATION
ITS PLAN
 FAI 64/FAI 255
 SECTION DIST 8 ITS 2008-1, 2C
 ST. CLAIR COUNTY
 DATE 6/5/2007