

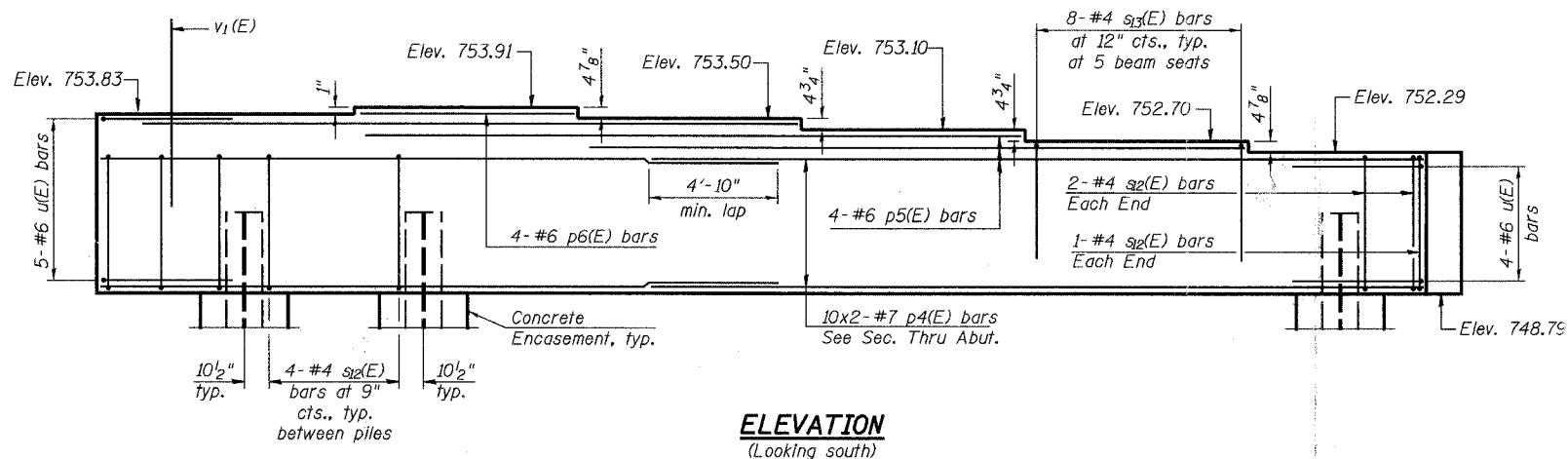
Notes: Pour steps monolithically with cap.

STATE OF ILLINOIS  
DEPARTMENT OF TRANSPORTATION

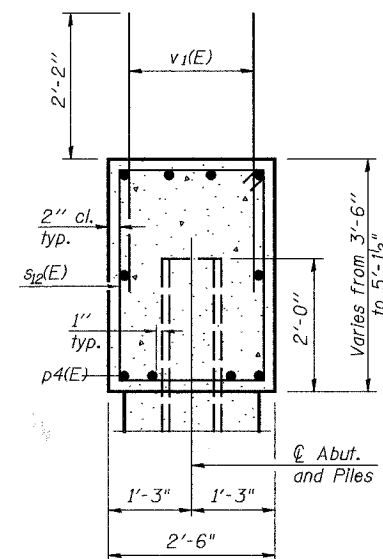
ROUTE NO.	SECTION	COUNTY	TOTAL SHEETS	SHEET NO.
F.A.U. 3887	06-00214-06-BR	KANE	55	30
FED. ROAD DIST. NO. 7		ILLINOIS	FED. AID PROJECT-	

CONTRACT NO. 83923

SHEET NO. 15  
25 SHEETS



**ELEVATION**  
(Looking south)



**SEC. THRU ABUT.**

**BILL OF MATERIAL**

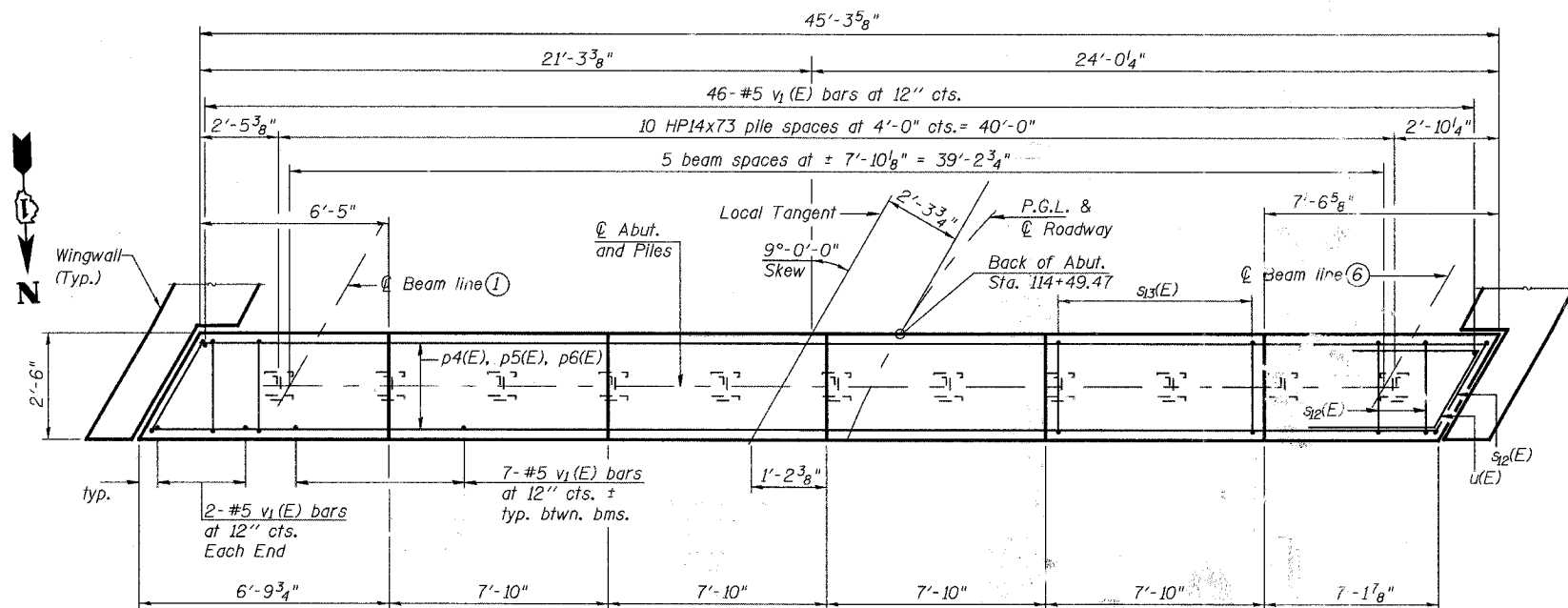
Bar	No.	Size	Length	Shape
p4(E)	20	#7	25'-0"	
p5(E)	12	#6	22'-3"	
p6(E)	4	#6	7'-6"	
s12(E)	46	#4	11'-6"	
s13(E)	40	#4	8'-2"	
u(E)	9	#6	7'-4"	
v1(E)	85	#5	4'-4"	
Structure Excavation		Cu. Yd.	16.3	
Concrete Structures		Cu. Yd.	18.6	
Reinforcement Bars, Epoxy Coated		Pound	2,530	
Furnishing Steel Piles HP14x73		Foot	490	
Test Pile Steel HP14x73		Each	1	
Driving Piles		Foot	490	
Concrete Encasement		Cu. Yd.	6.0	
Pile shoes		Each	11	
Porous Granular Embankment, Special		Cu. Yd.	109	
Geocomposite Wall Drain		Sq. Yd.	41	
Pipe Underdrains For Structures 4"		Foot	47	

For details of piles and Concrete Encasement, see sheet 21 of 25.

The cost of non-perforated drain pipe from back of abutment to embankment slope and rodent shield is included with Pipe Underdrains For Structures 4".

See sheet 18 for Architectural Form Liner Surface and Staining Concrete Surface details.

See sheet 14 for details of drainage behind abutment.

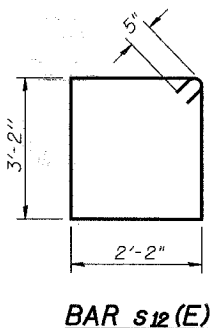


**PLAN**

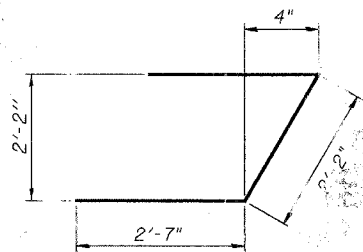
**PILE DATA**

Type: Steel HP14x73 with Pile Shoes  
Nominal Required Bearing: 240 kips  
Allowable Resistance Available: 80 kips  
Est. Length: 49'  
No. Production Piles: 10  
No. Test Piles: 1

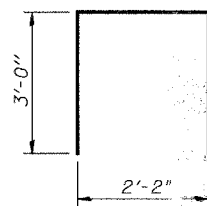
The Test Pile shall be driven to 110 percent of the Nominal Required Bearing indicated in the pile data information



**BAR s12(E)**



**BAR u(E)**



**BAR s13(E)**

DESIGNED ASL  
CHECKED NPP  
DRAWN SOI  
CHECKED NPP

AI-R 11-1-06

100 South Wacker Drive,  
Suite 500  
Chicago, IL 60606  
(312) 939-1000



REVISIONS	
NAME	DATE

ILLINOIS DEPARTMENT OF TRANSPORTATION  
ILLINOIS ROUTE 31 OVER NEW STEARNS ROAD  
KANE COUNTY

**SOUTH ABUTMENT DETAILS**

F.A.U. 3887 STATION 113+  
SCALE: N.T.S.

SECTION 06-00214-06-BR  
STRUCTURE NO. 045-2031  
DATE: 00/00/2007