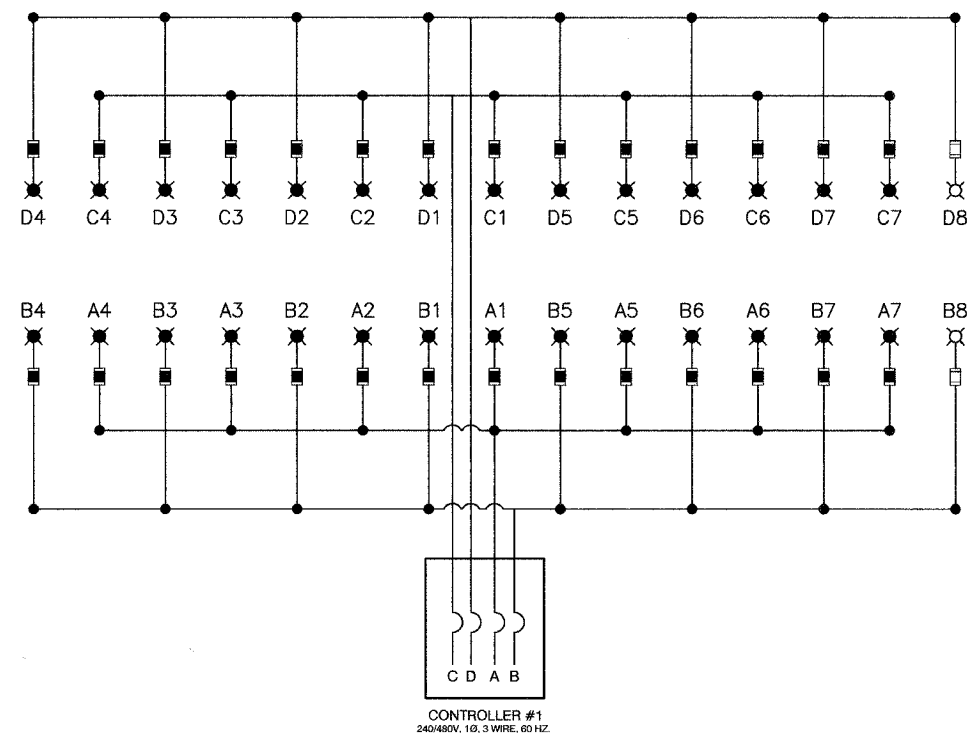
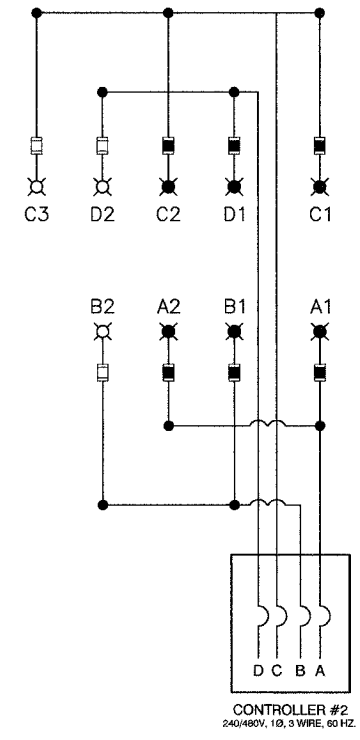


F.A.U. NO.	SECTION	COUNTY	TOTAL SHEETS	SHEET NO.
1583	02-00080-00-LT	COOK	10	6
FED. ROAD DIST. NO. 1	ILLINOIS	FED. AID PROJECT M-8003(540)		

CONTRACT #83924



CIRCUIT	WATTS	AMPS
A	1750	9.1
B	2060	10.6
C	1750	9.1
D	2060	10.6
<b>TOTAL LOAD</b>	<b>7620</b>	<b>39.4</b>



CIRCUIT	WATTS	AMPS
A	500	2.6
B	560	2.8
C	810	4.1
D	560	2.8
<b>TOTAL LOAD</b>	<b>2430</b>	<b>12.3</b>

**SINGLE LINE LEGEND**

- ⊗ LUMINAIRE, 310W HPS, STREET LIGHT
- ⊗ LUMINAIRE, 250W HPS, STREET LIGHT
- FUSE, 5 AMP
- FUSE, 3.5 AMP
- A1 LUMINAIRE CIRCUIT
- ⌋ CIRCUIT BREAKER
- CONNECTION

MFT SECTION NO. 02-00080-00-LT

ILLINOIS DEPARTMENT OF TRANSPORTATION  
**F.A.U. ROUTE 1583  
 115TH STREET  
 STREET LIGHTING  
 SINGLE LINE DIAGRAM**

REVISIONS	
NAME	DATE

SCALE: VERT. NONE  
 HORIZ. NONE  
 DATE 3-15-07  
 DRAWN BY RG  
 CHECKED BY PAP