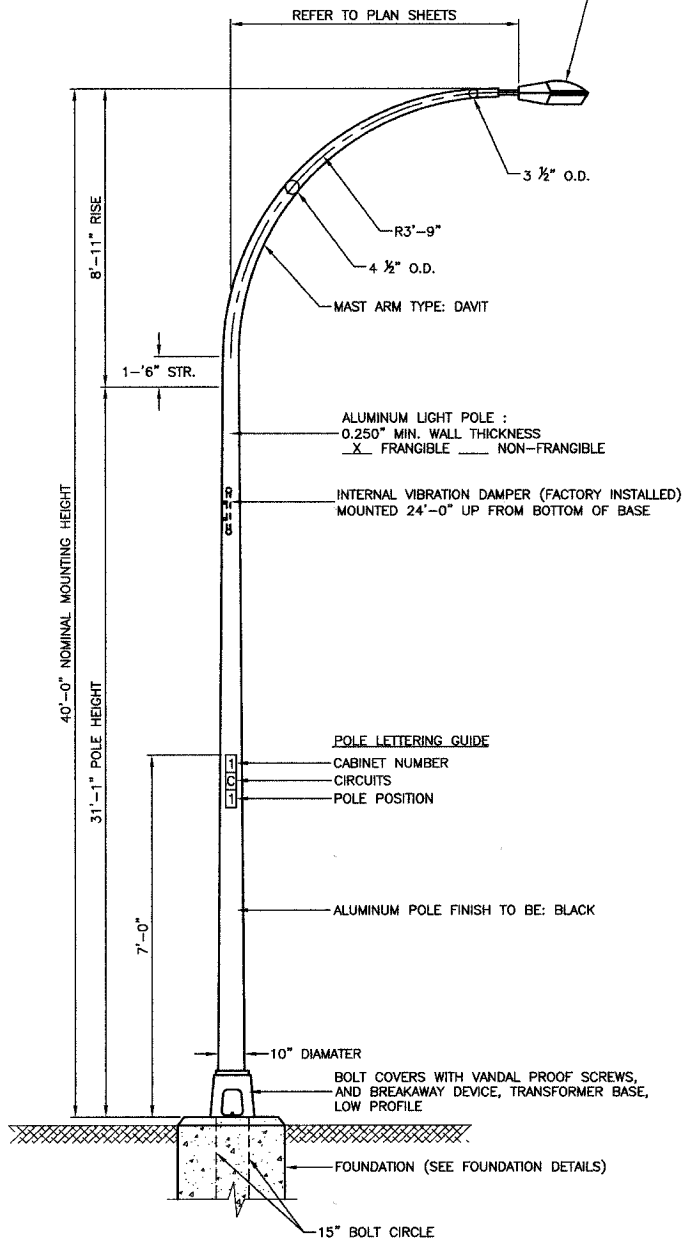


F.A.U. NO.	SECTION	COUNTY	TOTAL SHEETS	SHEET NO.
1583	02-00080-00-LT	COOK	10	9
FED. ROAD DIST. NO. 1	ILLINOIS	FED. AID PROJECT M-	8003(540)	

CONTRACT #83924

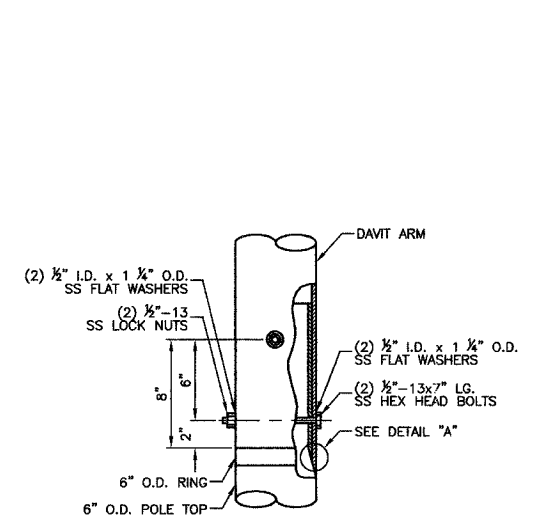
LUMINAIRE: FINISH TO BE BLACK
 250 WATT HIGH PRESSURE SODIUM LAMP
 240 VOLT BALLAST
 I.E.S. TYPE: MC III LIGHT DISTRIBUTION
 LENS TYPE: FLAT
 INITIAL LAMP LUMENS: 28,000
 LAMP LIFE: 24,000 HOURS

LUMINAIRE: FINISH TO BE BLACK
 310 WATT HIGH PRESSURE SODIUM LAMP
 240 VOLT BALLAST
 I.E.S. TYPE: MC III LIGHT DISTRIBUTION
 LENS TYPE: FLAT
 INITIAL LAMP LUMENS: 37,000
 LAMP LIFE: 24,000 HOURS

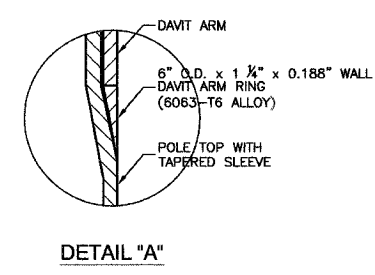


- NOTES:
1. THE LIGHTING UNITS SHALL MEET AASHTO DESIGN CRITERIA. DESIGN FOR 90 M.P.H. WIND WITH 30% GUST AND 75 POUND LUMINAIRE HAVING AN E.P.A. OF 1.6 SQ. FT. AND PROPER ICE LOADING.
 2. ALUMINUM ALLOY 6063-T6 SHALL BE USED.

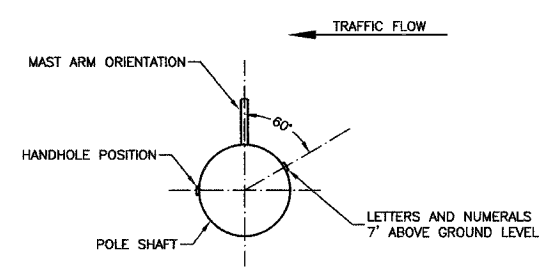
TYPICAL POLE INSTALLATION (40' MH)



CONNECTION DETAIL

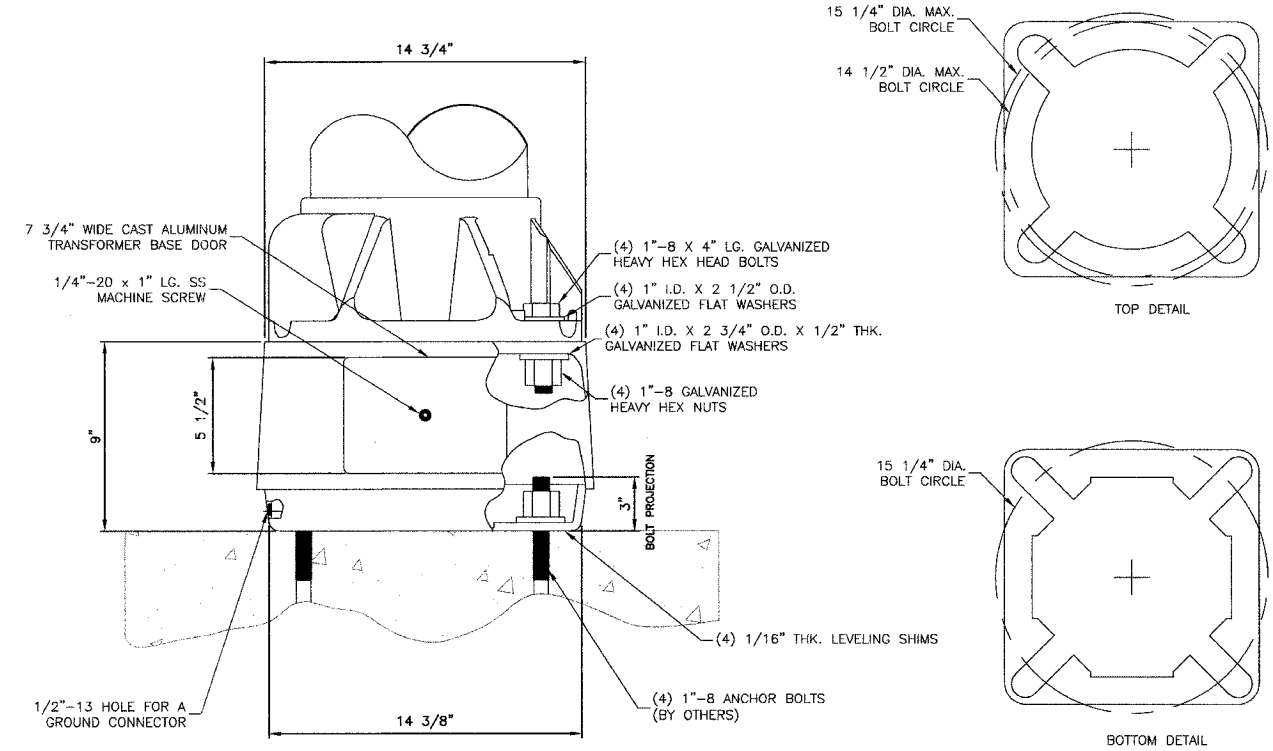


DETAIL "A"

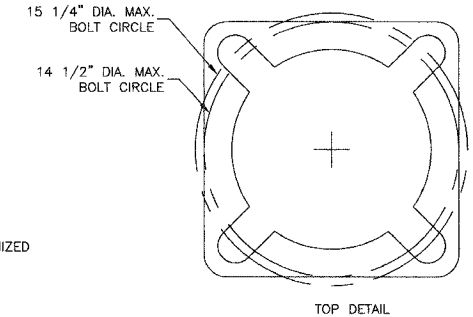


POSITION OF HANDHOLE AND NUMERALS ON POLE

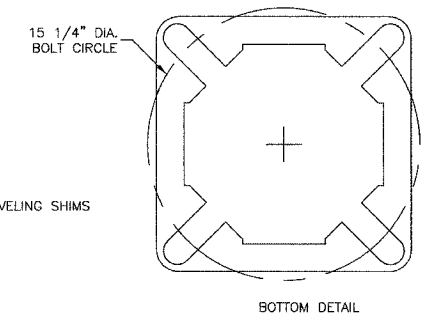
IMPORTANT NOTE:
 TRANSFORMER BASE AND LIGHTPOLE
 TO BE LEVELED AS ONE UNIT. USING
 LEVELING SHIMS IF REQUIRED.



TRANSFORMER BASE DETAIL



TOP DETAIL



BOTTOM DETAIL

REVISIONS	
NAME	DATE

MFT SECTION NO. 02-00080-00-LT

ILLINOIS DEPARTMENT OF TRANSPORTATION
 F.A.U. ROUTE 1583
 115TH STREET
 STREET LIGHTING
 DETAILS

SCALE: VERT. NONE
 HORIZ. NONE
 DATE 3-15-07
 DRAWN BY RG
 CHECKED BY PAP