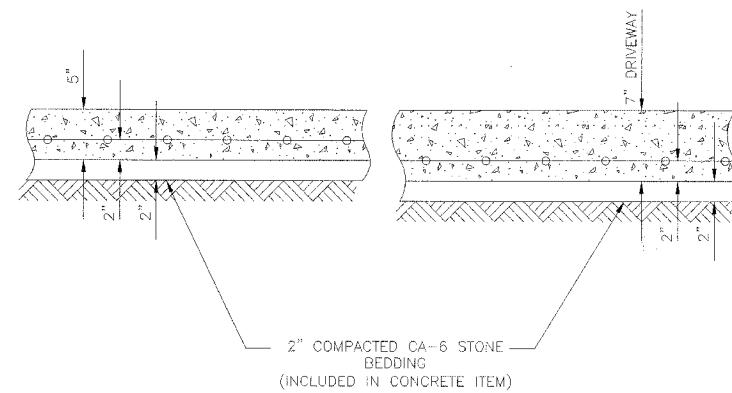
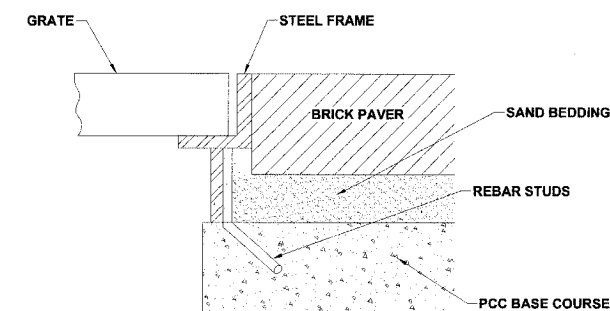


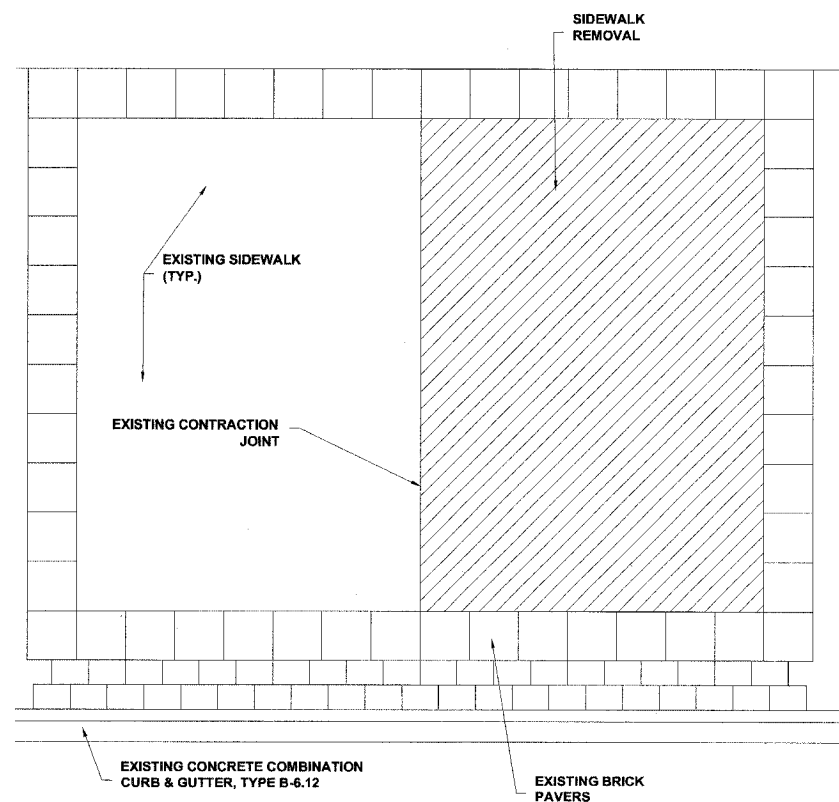
ROUTE NO.	SECTION	COUNTY	TOTAL SHEETS	SHEET NO.
X	06-00121-00-LS	COOK	15	10
ILLINOIS PROJECT		TE-00D1(773)		
VILLAGE SECTION		06-00121-00-LS		
CONTRACT NO.		83927		



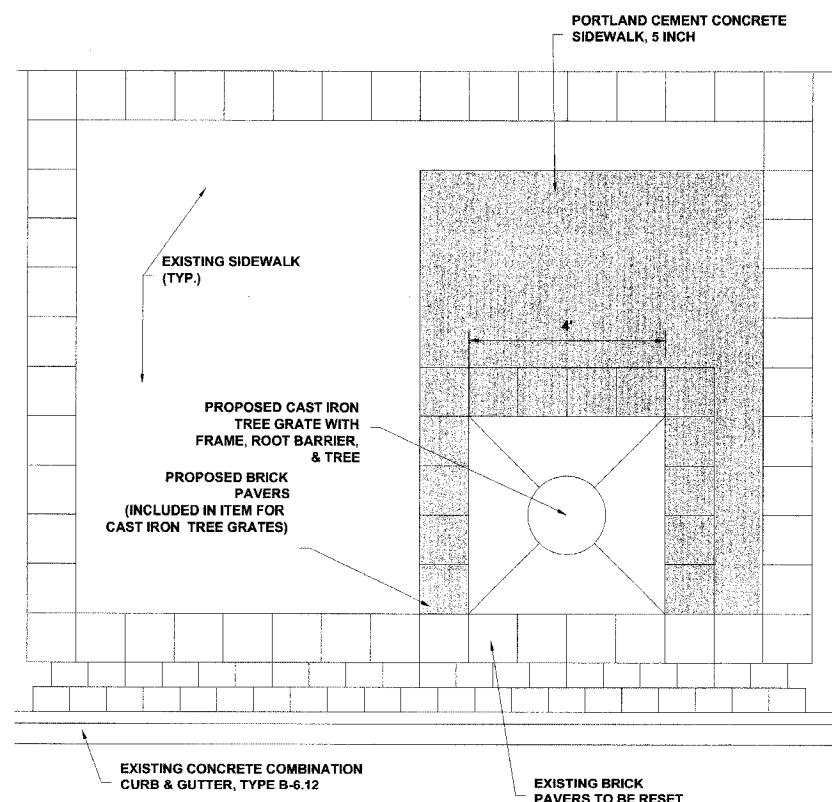
**PORTLAND CEMENT CONCRETE SIDEWALK &  
PORTLAND CEMENT CONCRETE DRIVEWAY PAVEMENT  
TYPICAL DETAILS**



**TREE GRATE FRAME MOUNTING DETAIL  
CAST IRON TREE GRATES**

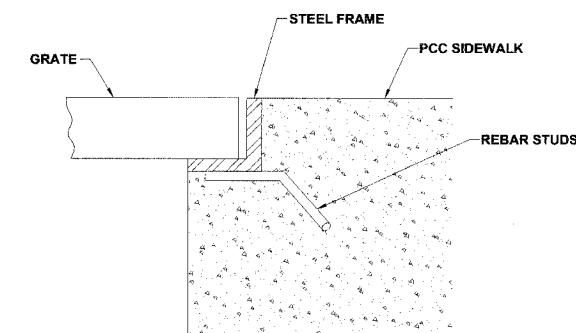


EXISTING



PROPOSED

**PROPOSED TREE OPENING  
(BROOKFIELD BANK)**



**TREE GRATE FRAME MOUNTING DETAIL  
TREE GRATES**