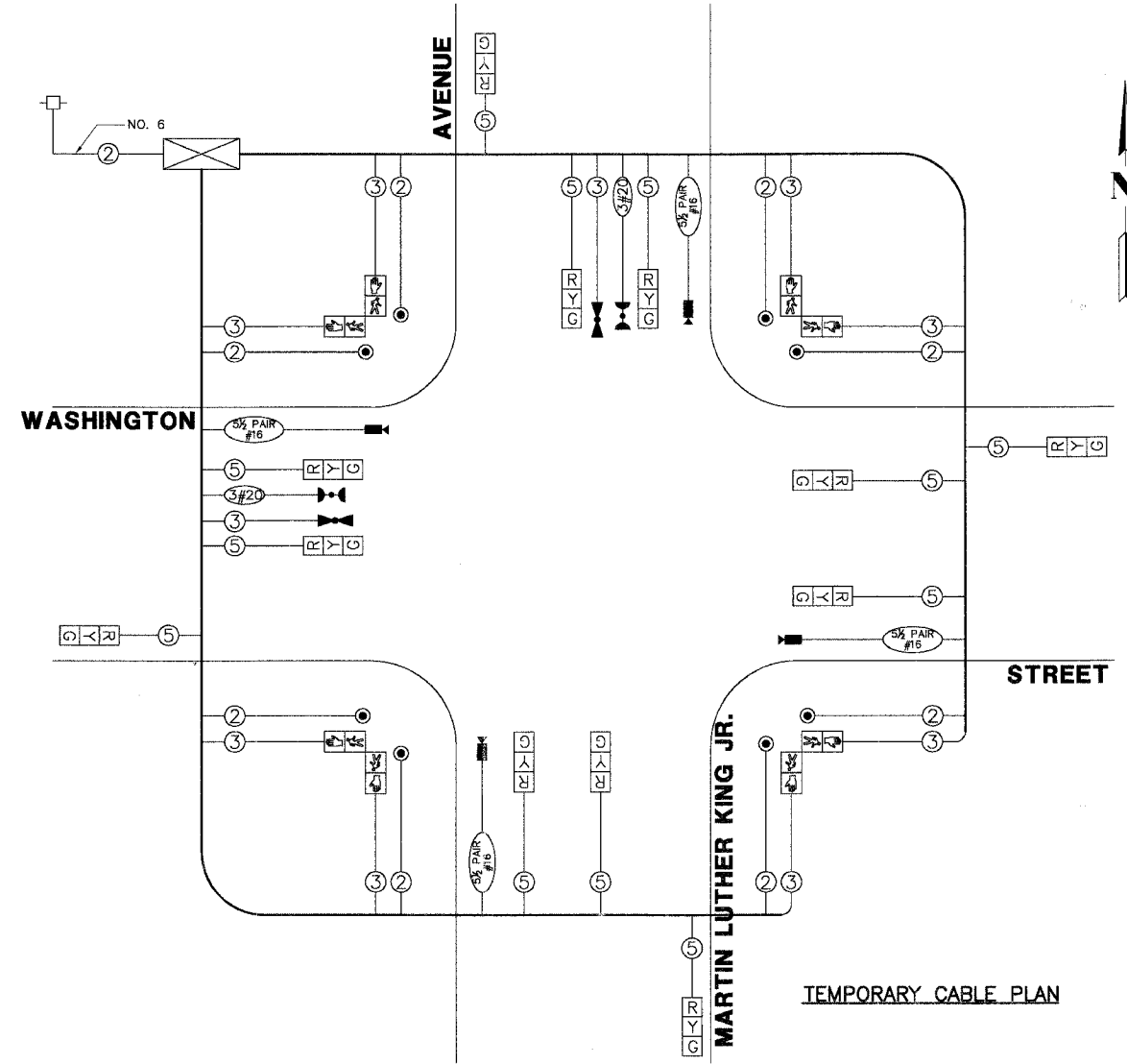


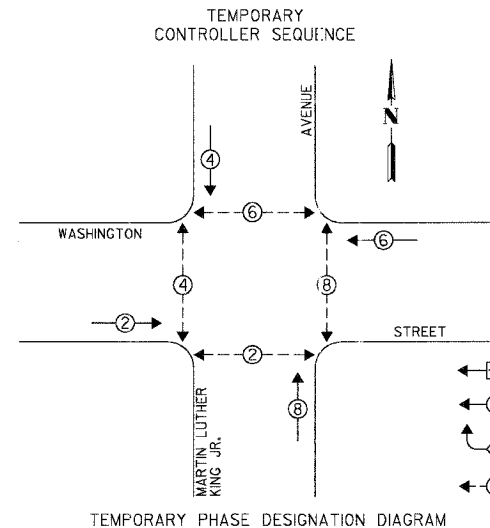
F.A.U. R.T.E.	SECTION	COUNTY	TOTAL SHEETS	SHEET NO.
1223	04-00272-00-TL	LAKE	72	37
TEMPORARY CABLE PLAN				
ILLINOIS				



TEMPORARY CABLE PLAN LEGEND

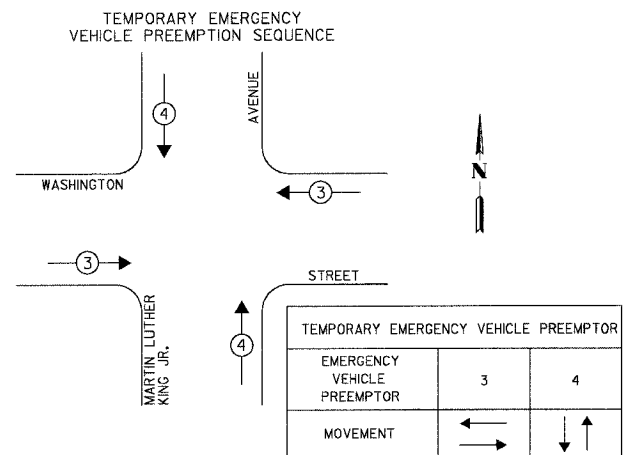
- R TEMPORARY TRAFFIC SIGNAL SECTION OR PEDESTRIAN SIGNAL SECTION 12"
- TEMPORARY CONTROLLER CABINET
- TEMPORARY SERVICE INSTALLATION
- INDICATES NUMBER OF CONDUCTORS IN CABLE. ALL CONDUCTORS TO BE NUMBER 14 AWG WIRE UNLESS OTHERWISE NOTED.
- 5 EMERGENCY VEHICLE LIGHT DETECTOR
- CONFIRMATION BEACON
- VEHICLE DETECTOR, INDUCTION LOOP
- PEDESTRIAN PUSHBUTTON DETECTOR
- PEDESTRIAN SIGNAL HEAD
- VIDEO DETECTION CAMERA
- PTZ CAMERA
- LUMINAIRE
- TELEPHONE DROP
- MICROWAVE DETECTOR

TEMPORARY CABLE PLAN



TEMPORARY PHASE DESIGNATION DIAGRAM

- LEGEND**
- ← SINGLE ENTRY PHASE
 - ←* DUAL ENTRY PHASE
 - ←OL OVERLAP
 - ←* PEDESTRIAN PHASE
 - * NUMBER REFERS TO ASSOCIATED PHASE



L.C.D.O.T. TRAFFIC SIGNAL INSTALLATION ELECTRICAL SERVICE REQUIREMENTS					TOTAL WATTAGE
TYPE	NO LAMPS	WATTAGE		% OPERATION	
SIGNAL (RED)	12	135	10	0.50	810.0
SIGNAL (YELLOW)	12	135	19	0.10	162.0
SIGNAL (GREEN)	12	135	11	0.40	648.0
ARROW		135	9	0.10	
PED.SIGNAL	8	90	9	1.00	720.0
CONTROLLER	1	-	100	1.00	100.0
LUMINAIRE		-	250	0.50	
L.E.D. ST. NAME SIGN		-	64	0.50	
VIDEO SYSTEM		-	150	1.00	
BATTERY BACKUP		-	25	1.00	
TOTAL =					2340.0

ENERGY COSTS - BILLED TO: CITY OF WAUKEGAN
 (ADDRESS) 100 N. M.L.K. JR. AVENUE
 (ADDRESS) WAUKEGAN, IL

ENERGY SUPPLY - CONTACT: MS. ALICE TAYLOR
 PHONE: (847) 816-5323
 COMPANY: COMED - LIBERTYVILLE

PLANS PREPARED BY:
GEWALT HAMILTON ASSOCIATES, INC.
 Consulting Engineers & Surveyors
 850 Forest Edge Drive
 Vernon Hills, IL 60061
 (847) 478-9700
 (847) 478-9701 Fax

REVISIONS	
NAME	DATE

LAKE COUNTY DIVISION OF TRANSPORTATION
TEMPORARY CABLE PLAN AND TEMPORARY PHASE DESIGNATION DIAGRAM
 WASHINGTON STREET AND MARTIN LUTHER KING JR. AVENUE

SCALE: NONE
 DATE: MAY 1, 2007

DRAWN BY: PJS
 DESIGNED BY: JRD
 CHECKED BY: BLS