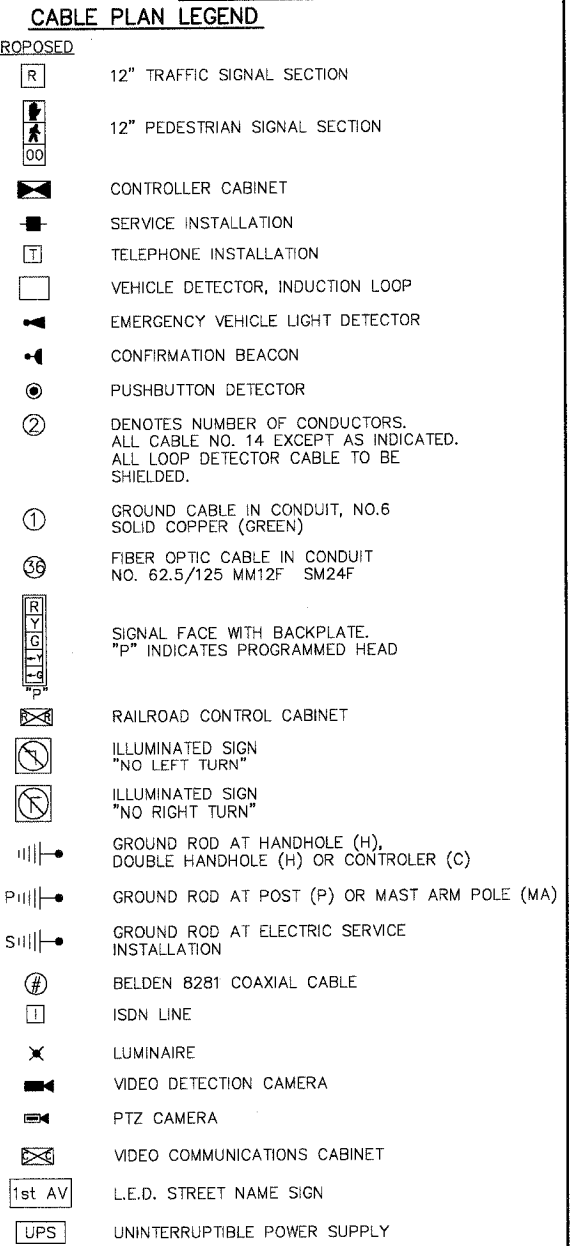
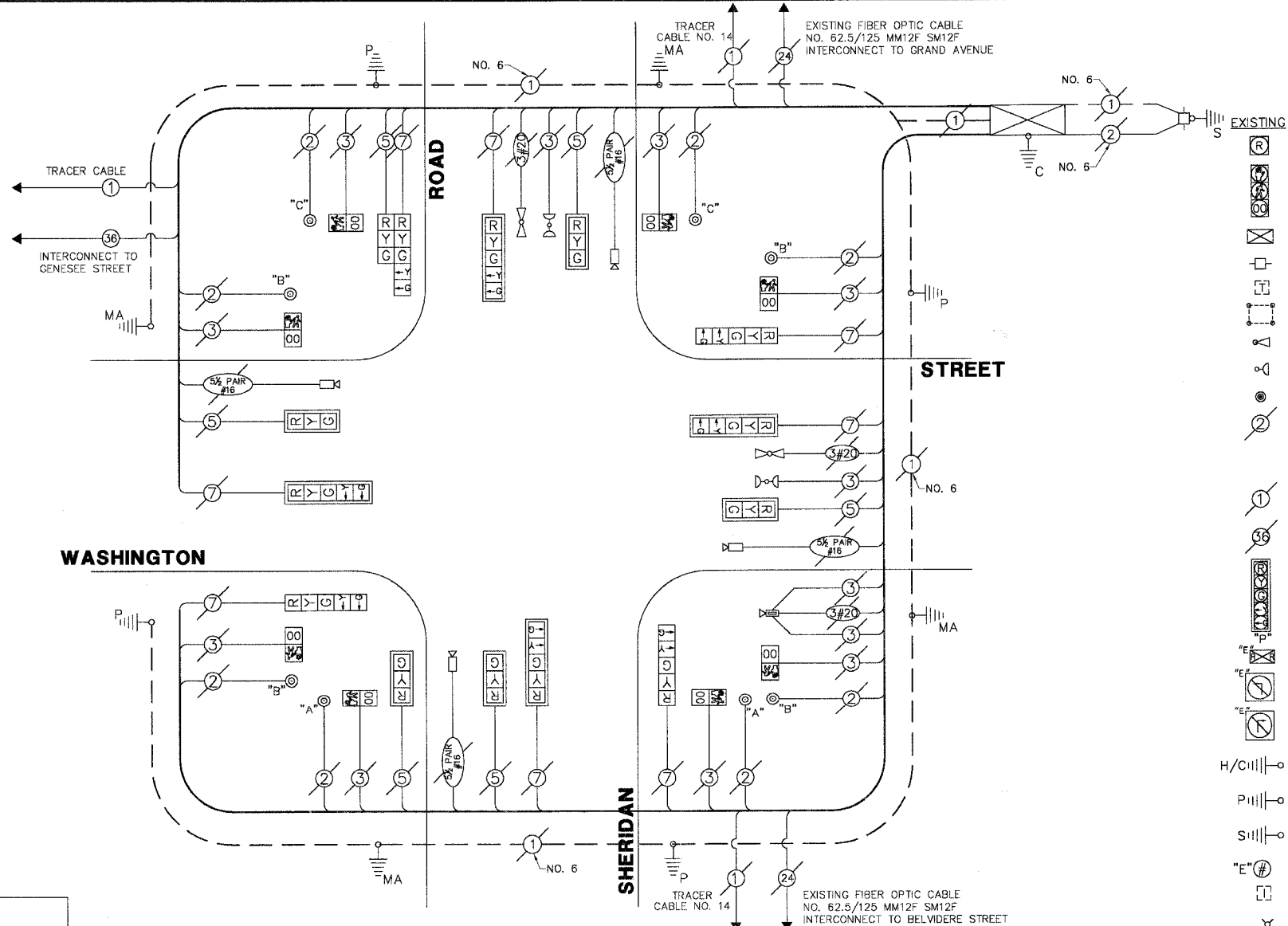


F.A.U. NO.	SECTION	COUNTY	TOTAL SHEETS	SHEET NO.
1223	04-00272-00-TL	LAKE	72	49
CABLE PLAN, PHASE DESIGNATION DIAGRAM				
ILLINOIS				

SCHEDULE OF QUANTITIES

WASHINGTON STREET AND SHERIDAN ROAD

QUANT.	UNIT	ITEM
TRAFFIC SIGNAL IMPROVEMENTS		
1.	1 EACH	MAINTENANCE OF EXISTING TRAFFIC SIGNAL INSTALLATION
2.	1 EACH	MODIFY EXISTING CONTROLLER
3.	18 EACH	TERMINATE FIBER IN CABINET



IMPORTANT NOTE:
PLANS FOR SHERIDAN ROAD IMPROVEMENT, SECTION NO. 03-00227-00-RS HAVE BEEN PREPARED BY McCLURE ENGINEERING ASSOCIATES INC.. CONTRACTOR SHALL COORDINATE ALL WORK AT THIS INTERSECTION WITH THIS PROJECT.

NOTES:
PUSH BUTTON "A" SHALL PLACE A CALL IN PHASE 2 ONLY.
PUSH BUTTON "B" SHALL PLACE A CALL IN PHASE 8 ONLY.
PUSH BUTTON "C" SHALL PLACE A CALL IN PHASE 6 ONLY.
PUSH BUTTON "D" SHALL PLACE A CALL IN PHASE 4 ONLY.

THE TRAFFIC SIGNAL CONTROL EQUIPMENT FOR THIS PROJECT SHALL BE "NTCIP" COMPLIANT.

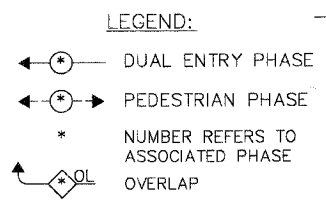
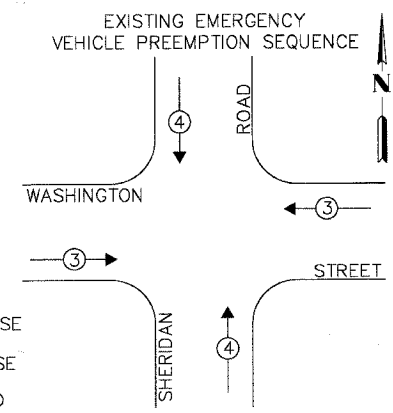
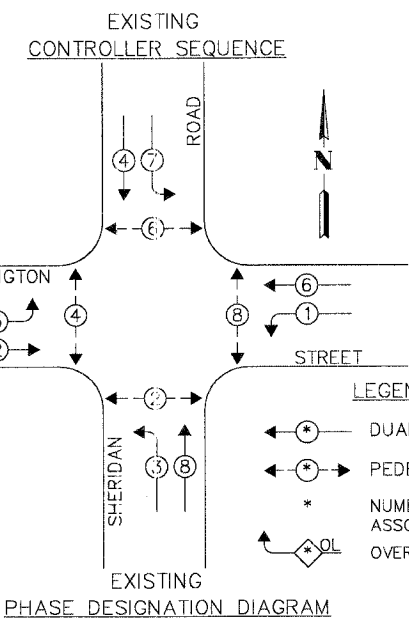
L.C.D.O.T. TRAFFIC SIGNAL INSTALLATION ELECTRICAL SERVICE REQUIREMENTS

TYPE	NO LAMPS	WATTAGE			TOTAL WATTAGE
		INCAND.	L.E.D.	% OPERATION	
SIGNAL (RED)	14	135	10	0.50	119.0
SIGNAL (YELLOW)	14	135	19	0.10	87.5
SIGNAL (GREEN)	14	135	11	0.40	52.5
ARROW	16	135	9	0.10	19.2
PED.SIGNAL	8	90	9	1.00	200.0
CONTROLLER	1	-	100	1.00	100.0
LUMINAIRE	6	84	250	0.50	252.0
L.E.D. ST. NAME SIGN	-	-	64	0.50	-
VIDEO SYSTEM	-	-	150	1.00	-
BATTERY BACKUP	-	-	25	1.00	-
TOTAL =					814.2

FOUNDATION (DEPTH)	(FT.)	CABLE SLACK	(FT.)	VERTICAL	(FT.)
TYPE A - POST	4	HANDHOLE	6.5	ALL FOUNDATIONS	3.5
TYPE D - CONTROLLER	4	DOUBLE HANDHOLE	13	MAST ARM (L) POLE	20'+L-2'
TYPE E - M.ARM POLE	15	SIGNAL POST	2	BRACKET MOUNTED	13
		CONTROLLER CAB.	1	PED. PUSHBUTTON	4
		FIBER OPTIC	13	ELECTRIC SERVICE	13.5
		ELECTRIC SERVICE	1	SERVICE TO GROUND	13.5
		GROUND CABLE	1	POST MOUNTED	6

ENERGY COSTS - BILLED TO: CITY OF WAUKEGAN
(ADDRESS) 100 N. M.L.K. JR. AVENUE
WAUKEGAN, IL

ENERGY SUPPLY - CONTACT: MS. ALICE TAYLOR
PHONE: (847) 816-5323
COMPANY: COMED - LIBERTYVILLE



PLANS PREPARED BY:
GEWALT HAMILTON ASSOCIATES, INC.
Consulting Engineers & Surveyors
850 Forest Edge Drive
Vernon Hills, IL 60061
(847) 478-9700
(847) 478-9700 Fax

REVISIONS

NAME	DATE

EXISTING EMERGENCY VEHICLE PREEMPTORS

EMERGENCY VEHICLE PREEMPTOR	3	4
MOVEMENT	—	

LAKE COUNTY DIVISION OF TRANSPORTATION
CABLE PLAN, PHASE DESIGNATION DIAGRAM AND SCHEDULE OF QUANTITIES

WASHINGTON STREET AND SHERIDAN ROAD

SCALE: NONE
DATE: MAY 1, 2007

DRAWN BY: ZCW
DESIGNED BY: JRD
CHECKED BY: BLS