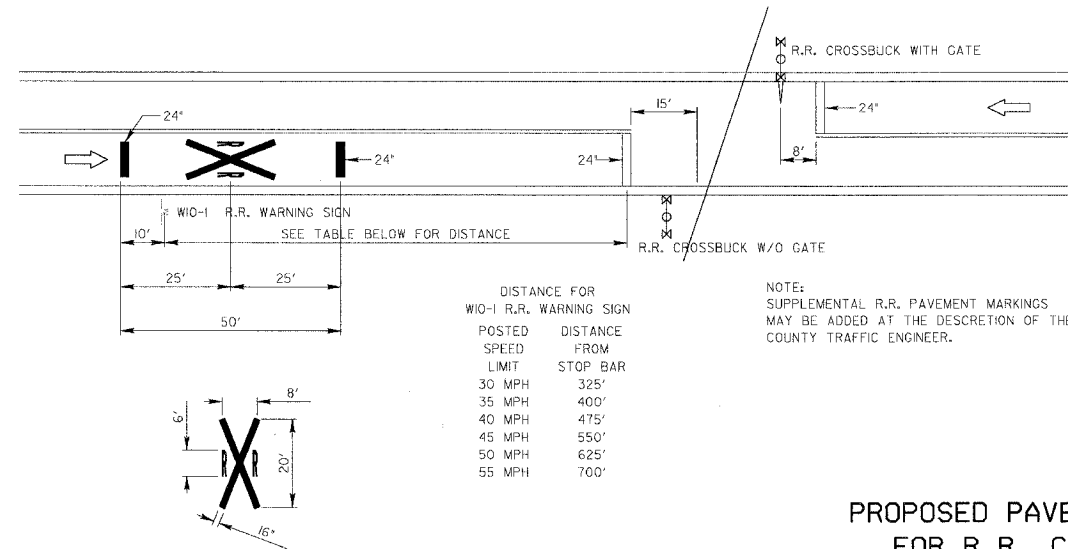
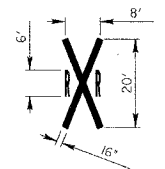


TYPICAL RAIL ROAD RELATED PAVEMENT MARKINGS

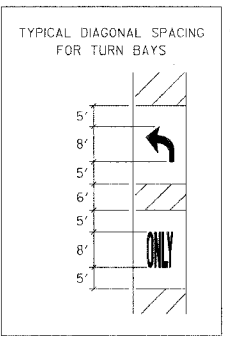
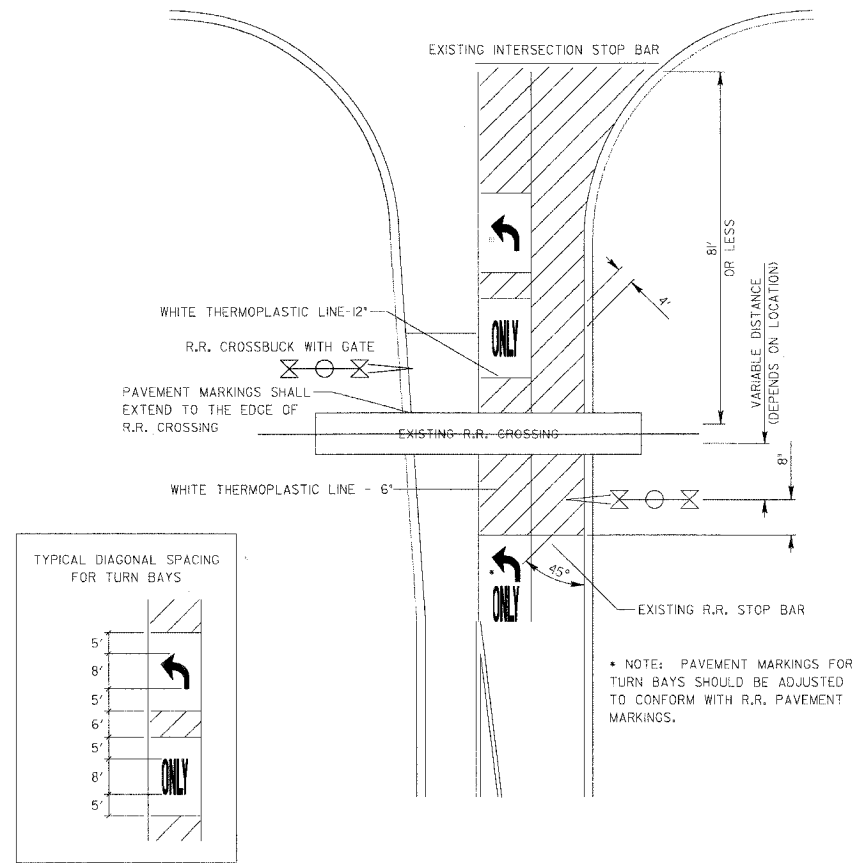
TYPICAL PLACEMENT OF R.R. WARNING SIGNS AND PAVEMENT MARKINGS ON COUNTY HIGHWAYS



POSTED SPEED LIMIT	DISTANCE FROM STOP BAR
30 MPH	325'
35 MPH	400'
40 MPH	475'
45 MPH	550'
50 MPH	625'
55 MPH	700'

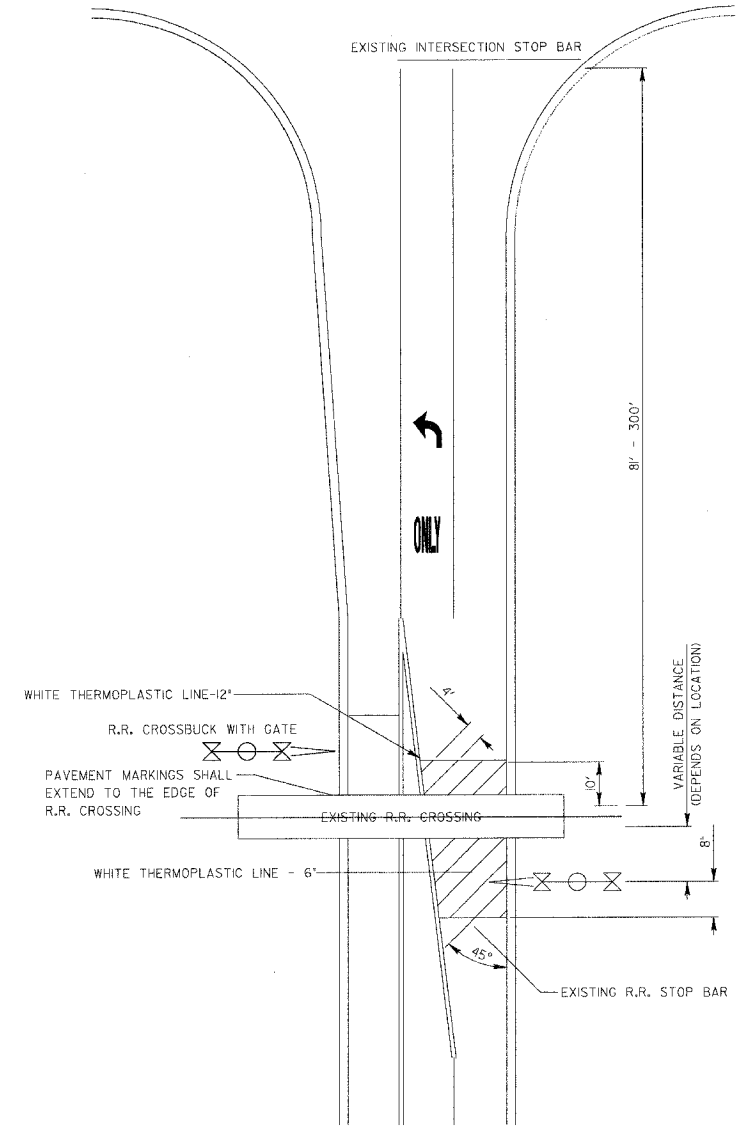


PROPOSED PAVEMENT MARKINGS FOR R.R. CROSSINGS AT SIGNALIZED INTERSECTIONS 81 FEET OR LESS



* NOTE: PAVEMENT MARKINGS FOR TURN BAYS SHOULD BE ADJUSTED TO CONFORM WITH R.R. PAVEMENT MARKINGS.

PROPOSED PAVEMENT MARKINGS FOR R.R. CROSSINGS AT SIGNALIZED INTERSECTIONS 81 FEET - 300 FEET



Lake County
Division of Transportation

TYPICAL PAVEMENT MARKINGS FOR COUNTY HIGHWAYS

SCALE: N.T.S. SHEET 3 OF 3 DESIGNED BY: JPS
DATE: JAN. 12, 1998 CHECKED BY: ANK

REVISIONS	
NAME	DATE
JOHN SAUTER	9/25/98
JOHN SAUTER	7/7/99