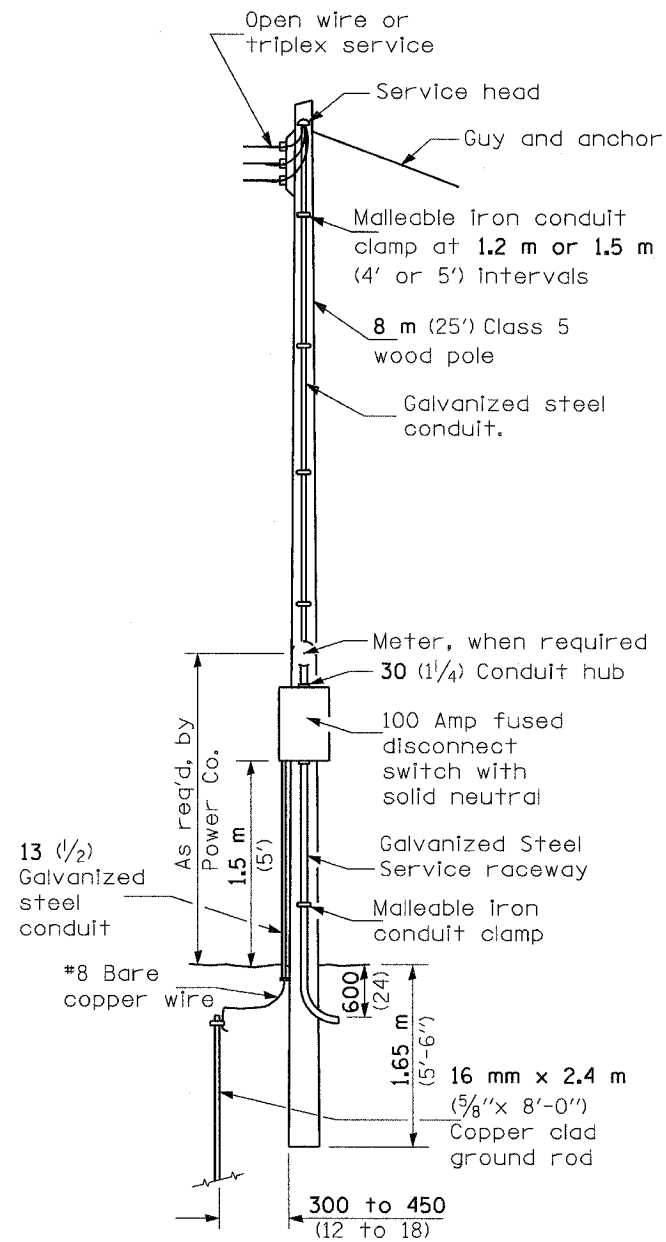
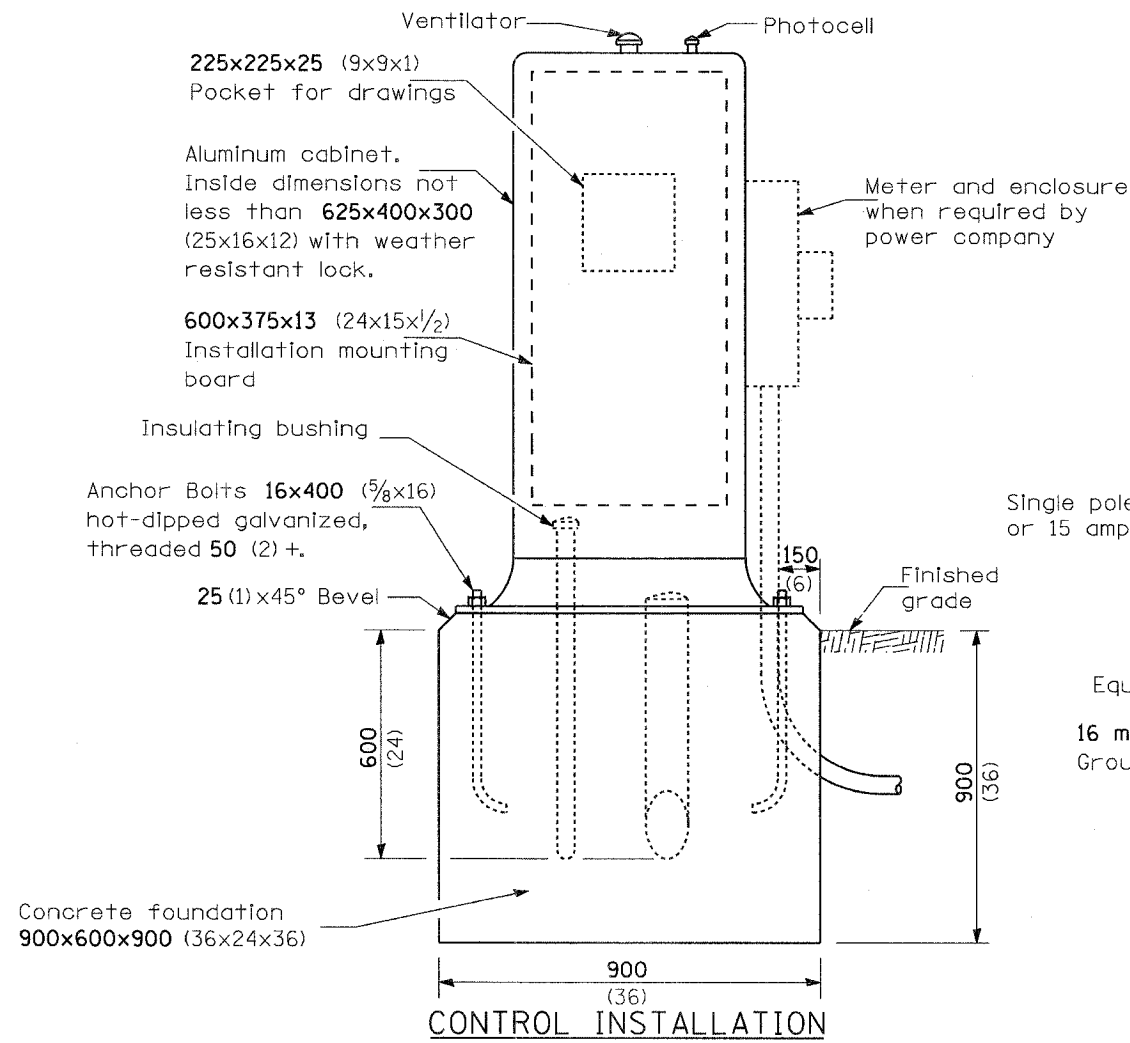


BYE.	SECTION	COUNTY	TOTAL SHEETS	SHEET NO.
525	06-00520-01-L1	WINNEBAGO	41	36
STA.		TO STA.		
FED. ROAD DIST. NO.	ILLINOIS	FED. AID PROJECT		

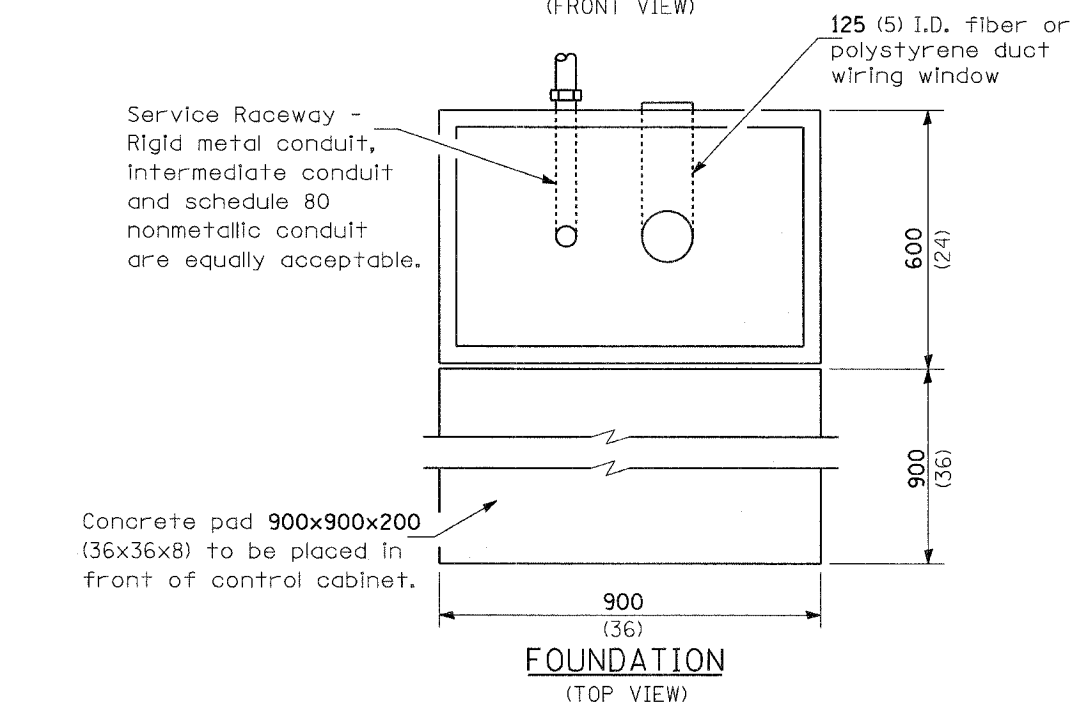
- A Selector switch
- B 2 Pole 100 amp contactor
- C 2 Pole 100 amp service disconnect
- D,E,F 2 Pole 30 amp breakers
- G Photocell w/integral surge arrester



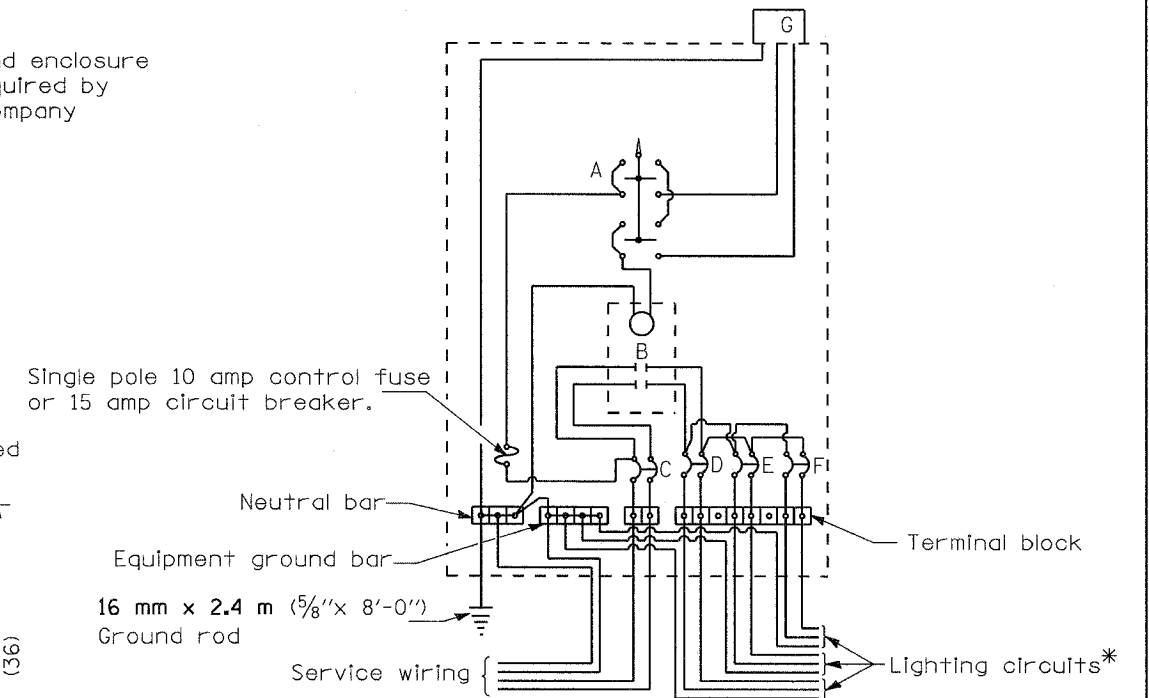
SERVICE POLE



CONTROL INSTALLATION (FRONT VIEW)



FOUNDATION (TOP VIEW)



WIRING DIAGRAM

* Provide number of circuits as shown on lighting plans and in accordance with Section 1068.01 of the Standard Specifications.

GENERAL NOTES

Locate service pole and control installation adjacent to R.O.W. line with a minimum distance of 9 m (30') from the edge of pavement. Exact location shall be established by the Engineer.

The underground service entrance wiring shall not exceed 46 m (150'). Total aerial and underground service between the control installation and primary transformer shall not exceed 76 m (250').

Raceways shall terminate 75 (3) above top of concrete foundation.

For 480 V. systems, a 480/120 V. control transformer will be required.

All dimensions are in millimeters unless otherwise shown.

- 240 V. SERVICE
- ☒ 480 V. SERVICE

DATE	REVISIONS

CONTROL INSTALLATION
TYPE CB-RCS-100