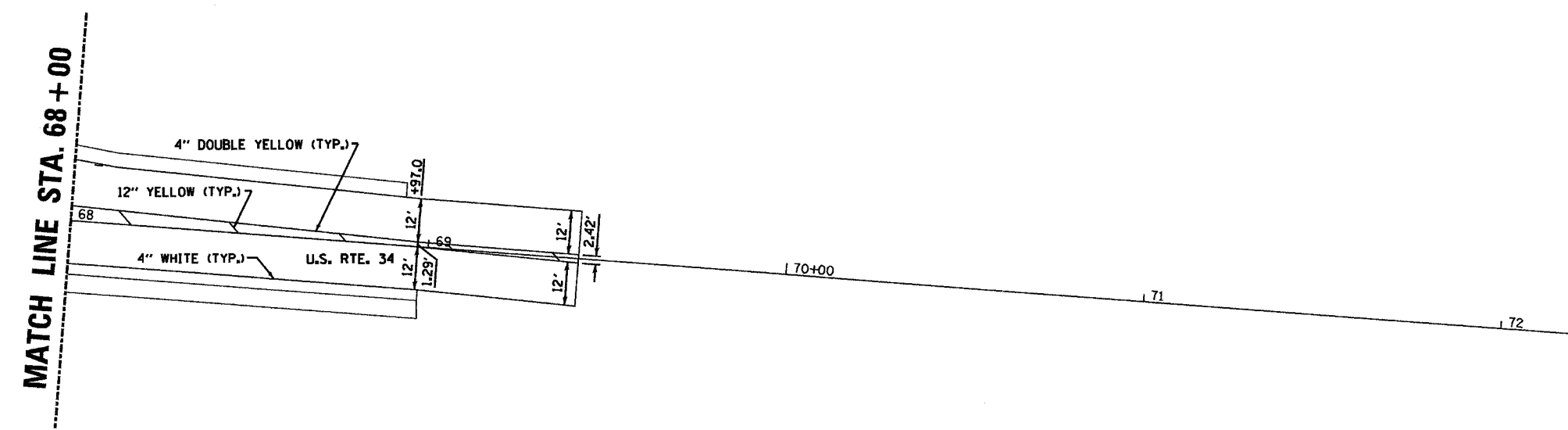


F.A.P. RTE.	SECTION	COUNTY	TOTAL SHEETS	SHEET NO.
591	06-00034-00-RP	KENDALL	37	16
STA. 68+00		TO STA. 69+42		
FED. ROAD DIST. NO. _		ILLINOIS FED. AID PROJECT		



MEDIAN TAPER		
STA	LEFT SIDE	RIGHT SIDE
68+00	4.06' LT.	0.00'
68+20	3.49' LT.	0.00'
68+40	2.91' LT.	0.00'
68+60	2.34' LT.	0.00'
68+80	1.77' LT.	0.00'
69+00	1.29' LT.	0.08' RT.
69+20	1.23' LT.	0.64' RT.
69+40	1.18' LT.	1.19' RT.

PLOT DATE = 02/07
 PLOT TIME = 10:00
 PLOT SCALE = 1/4"=1'-0"
 USER NAME = NUSER

REVISIONS	
NAME	DATE

ILLINOIS DEPARTMENT OF TRANSPORTATION
 PAVEMENT MARKING DETAILS
 FAP 591 (US 34)
 AND WAUBONSEE DRIVE
 SECTION 06-00034-00-RP
 KENDALL COUNTY

SCALE: VERT. _____
 HORIZ. _____
 DATE: 02/07

DRAWN BY: NOE/NV
 CHECKED BY: DJD