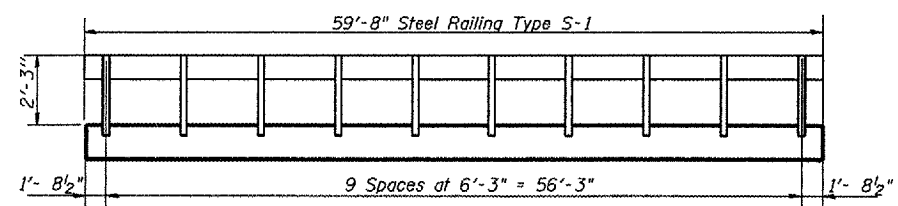
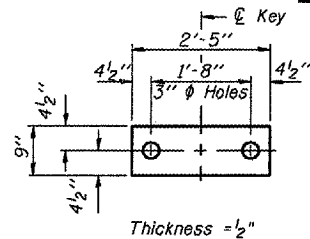


STATE OF ILLINOIS
DEPARTMENT OF TRANSPORTATION

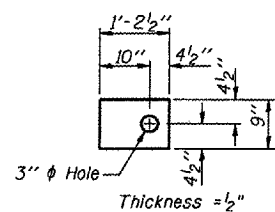
ROUTE NO.	SECTION	COUNTY	DATE	SHEET NO.
		WOODFORD	24	10
PROJECT NO. 05-00018-00-BR CONTRACT #89414				



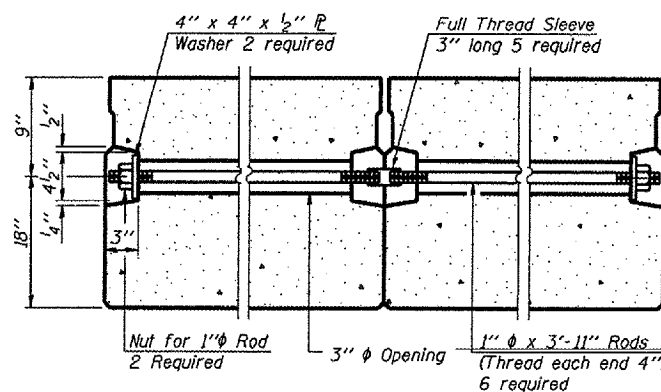
PROFILE OF RAIL



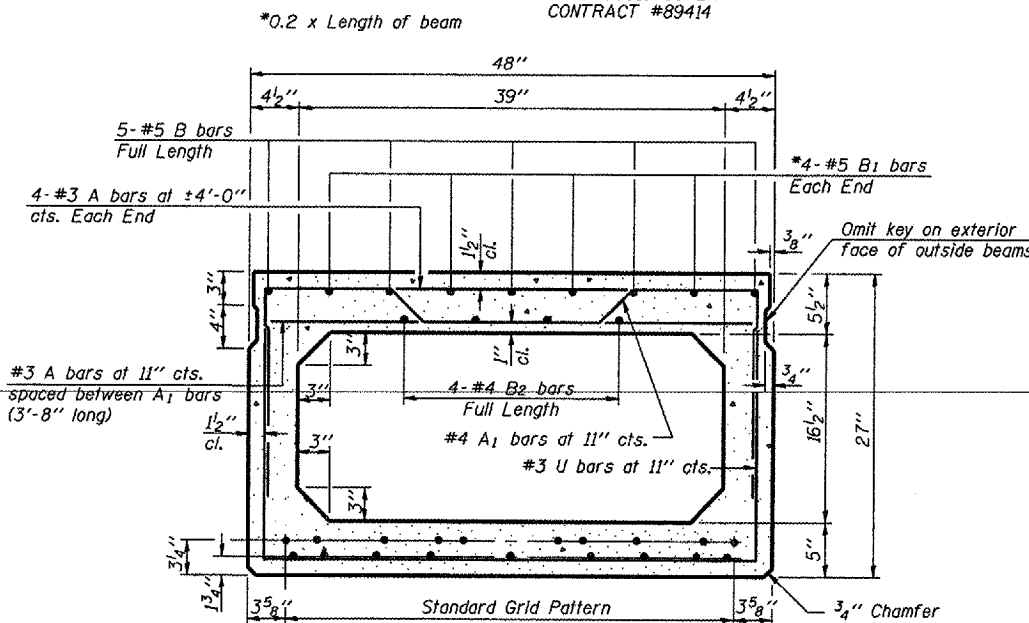
FABRIC BEARING PAD
(Interior)
10 Required



FABRIC BEARING PAD
(Exterior)
4 Required



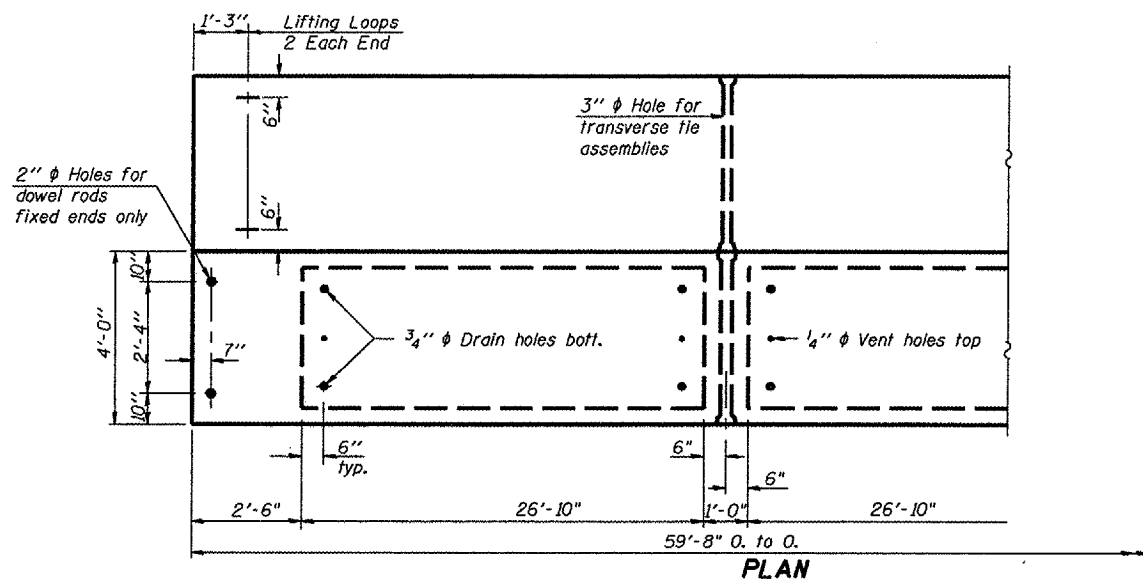
TYPICAL TRANSVERSE TIE ASSEMBLY



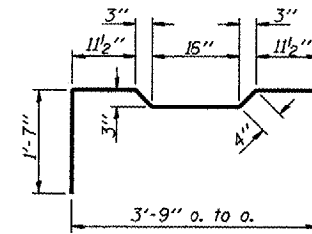
TYPICAL SECTION

1/2" ϕ Strands, Each Strand Stressed to 30,900 Lbs.
9 Strands 1 3/4" up, 10 Strands 3/4" up.

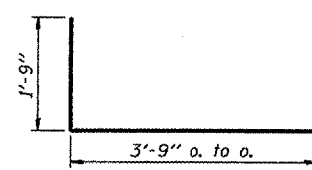
Note:
Place strands symmetrically about \bar{C} of beam.



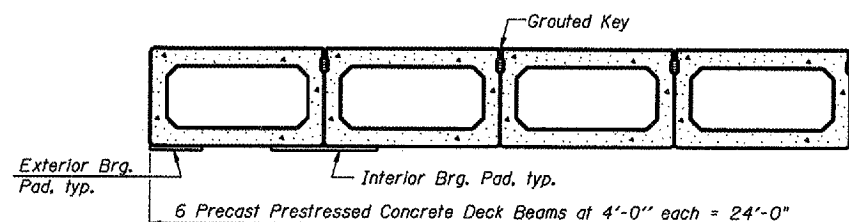
PLAN



BAR A1



BARS U & U1



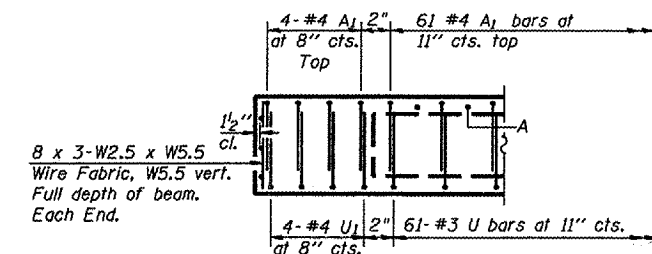
HALF CROSS SECTION

BILL OF MATERIAL - 1 BEAM

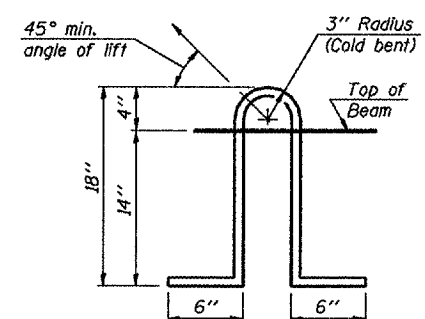
Bar	No.	Size	Length	Shape
A	68	#3	3'-8"	—
A ₁	69	#4	7'-1"	⌋
B	5	#5	59'-5"	—
B ₁	8	#5	12'-0"	—
B ₂	4	#4	59'-5"	—
U	61	#3	7'-3"	⌋
U ₁	8	#4	7'-3"	⌋
Precast Prestressed Conc. Deck Bms. (27" Depth)				Sq. Ft. 1432

NOTES

Prestressing steel shall be uncoated high strength, low relaxation 7-wire strand, Grade 270. The nominal diameter shall be 1/2" and the nominal cross-sectional area shall be 0.153 sq. in. Lifting loops shall be three (3) 1/2" ϕ 270 ksi strands, as shown. The 1" ϕ rods in the transverse tie assembly shall be tightened to a snug fit and the threads set. Pockets that receive transverse tie bar on outside shall be filled with grout after transverse tie assembly is in place. Non prestressing steel shall conform to AASHTO M-31 or M-322 Grade 60. The bearing seat surfaces shall be adjusted by shimming to assure firm and even bearing. Two 1/8" fabric adjusting shims of the dimensions of the Exterior Bearing Pad shall be provided for each bearing. Keyway surfaces shall be cleaned to remove form oil or other bond breaking material prior to shipment of the beams. Cleaning shall be done by sandblasting the keyway areas between top of the beam and the bottom edge of the key. Corrosion inhibitor, as covered in the Special Provisions, shall be used in the concrete for precast prestressed concrete deck beams. Required Release Strength, f'cl, shall be 4,000 p.s.i. Refer to sheet 7 for the type s-1 steel rolling inserts.



END ELEVATION



LIFTING LOOP DETAIL

DESIGNED -
CHECKED -
DRAWN -
CHECKED -
PD-6-S 10-22-04

27" BEAM DETAIL
WALNUT STREET OVER SNAG CREEK
SECTION 05-00018-00-BR
WOODFORD COUNTY
STATION 13+91.11