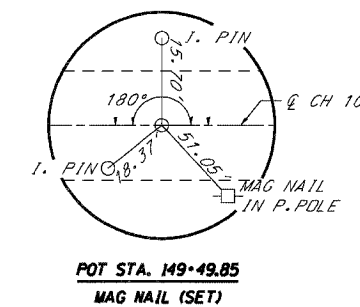
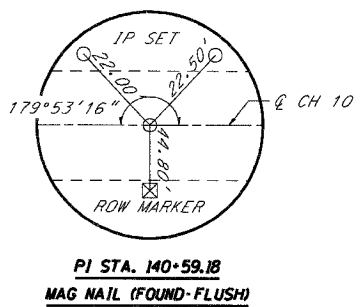
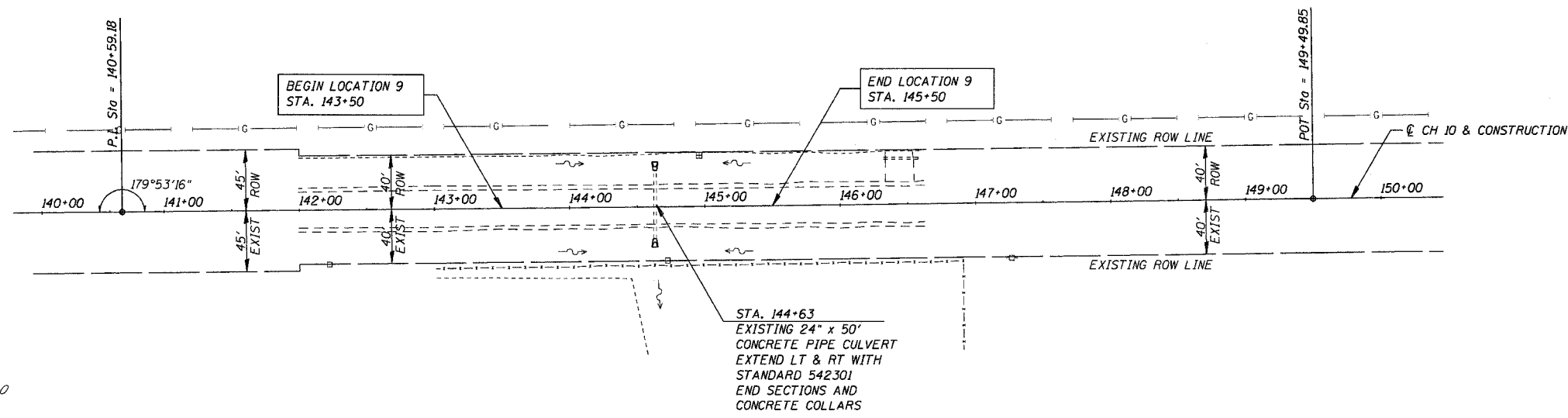


SE 1/4, SEC 25, T14N, R8W, 3RD PM

LOUIS WERRIES

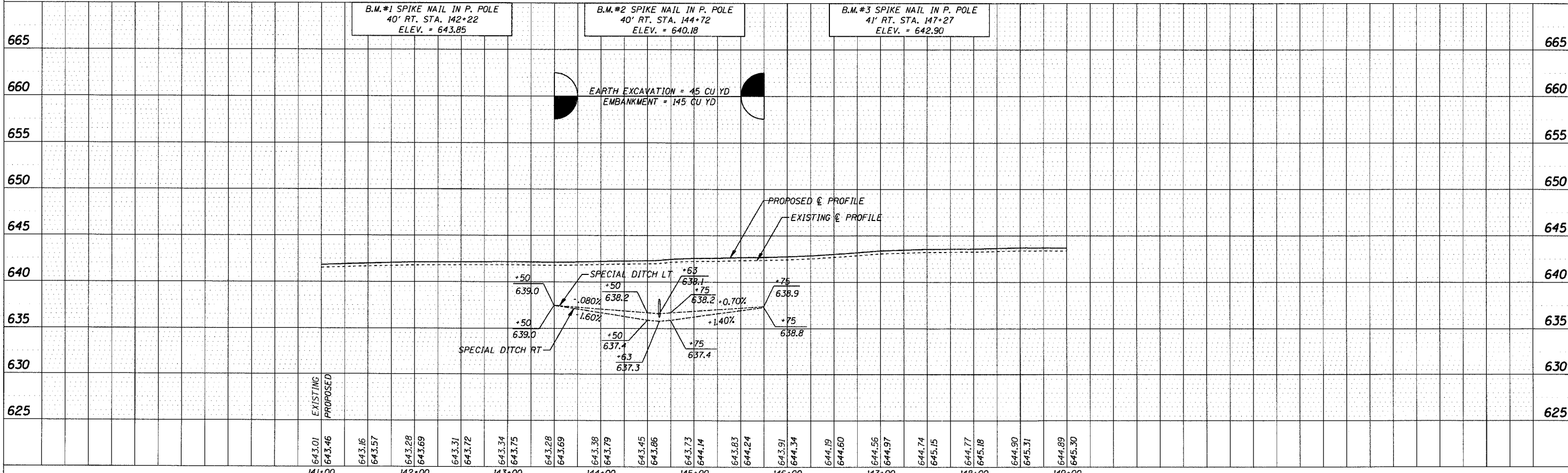
ROUTE NO.	SECTION	COUNTY	TOTAL SHEETS	SHEET NO.
FAS 621	05-00075 -05-R5	SANGAMON	72	21

CONTRACT NO. 93439



RODNEY BROWN

SW 1/4, SW 1/4, SEC 30, T14N, R7W, 3RD PM



LOCATION 9 - CH 10 STA. 140+00 TO STA. 154+00

PLAN	DATE
BY	
NO. OF WAY CHECKED	
NO. OF FILE CHECKED	

PROFILE	DATE
BY	
NO. OF WAY CHECKED	
NO. OF FILE CHECKED	