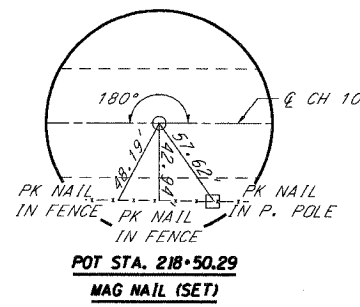
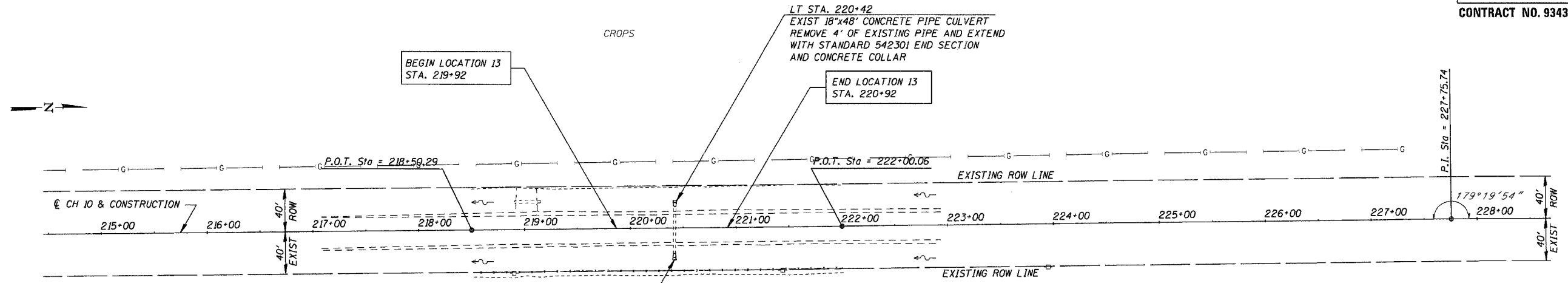


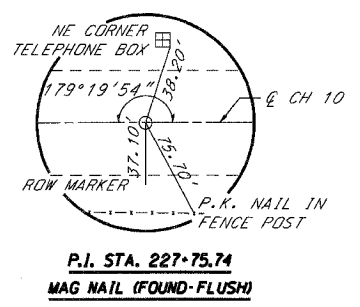
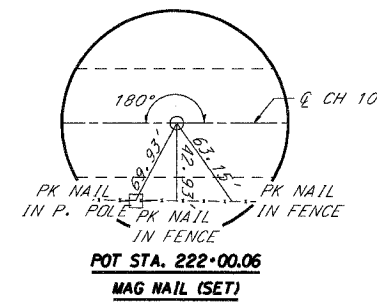
NE 1/4, SEC 24, T14N, R8W, 3RD PM
 JANET KELLY

ROUTE NO.	SECTION	COUNTY	TOTAL SHEETS	SHEET NO.
FAS 621	05-00075 -05-RS	SANGAMON	72	24

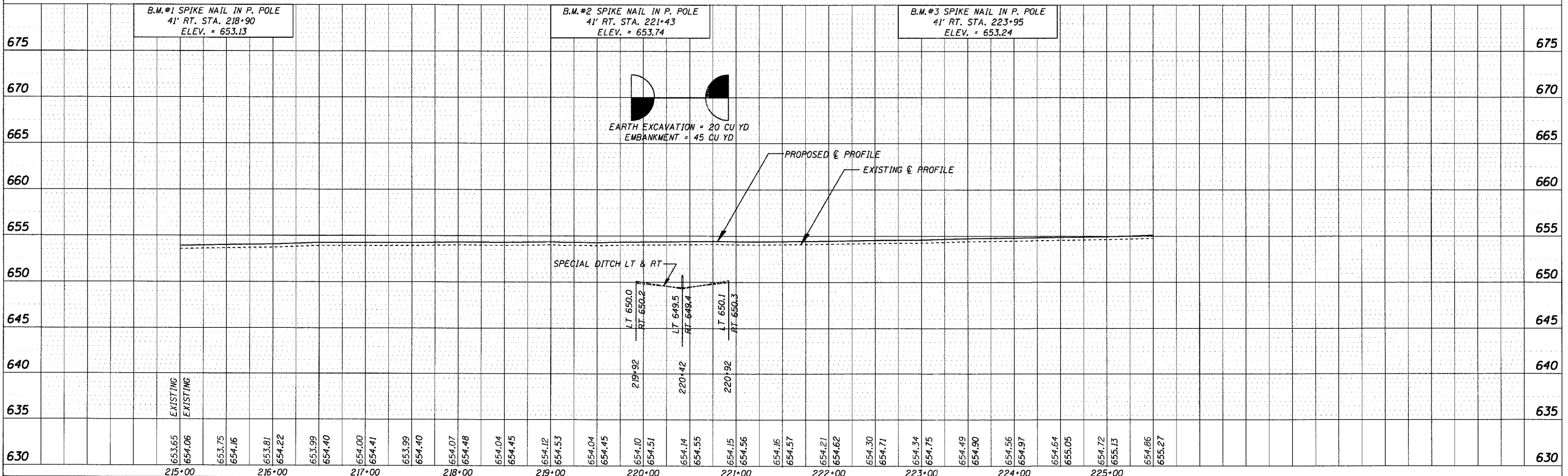
CONTRACT NO. 93439



STA. 220+42
 EXISTING 18"x48" CONCRETE PIPE CULVERT
 EXTEND ON RIGHT WITH STANDARD 542301
 END SECTION AND CONCRETE COLLAR



BRUCE BROWN
 SW 1/4, NW 1/4, SEC19, T14N, R7W, 3RD PM



LOCATION 13 - CH 10 STA. 215+00 TO STA. 229+00

PLAN	DATE	BY
SURVEYED		
PLOTTED		
NOTE BOOK		
PAID FILE NAME		

PROFILE	DATE	BY
SURVEYED		
PLOTTED		
NOTE BOOK		
STRUCTURE NOTATION CHFD		