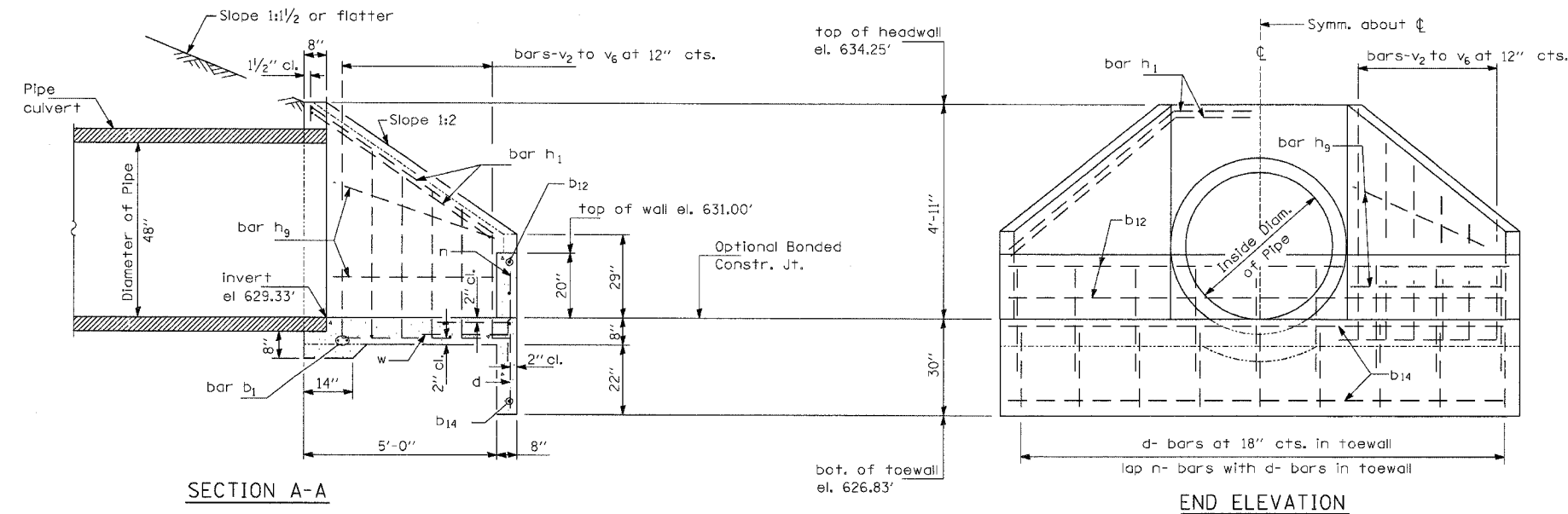


# DETAIL OF REINFORCED CONCRETE END SECTIONS FOR PIPE CULVERT 48" DIA. AT RIGHT ANGLES WITH ROADWAY

ROUTE NO.	SECTION	COUNTY	TOTAL SHEETS	SHEET NO.
FAS 621	05-00075 05-RS	SANGAMON	72	32

CONTRACT NO. 93439



## GENERAL NOTES

All slope ratios are expressed as units of vertical displacement to units of horizontal displacement (V:H).

This work will be paid for at the contract bid price each for CAST-IN-PLACE REINFORCED CONCRETE END SECTIONS 48"

## BILL OF MATERIAL

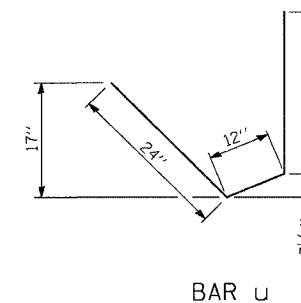
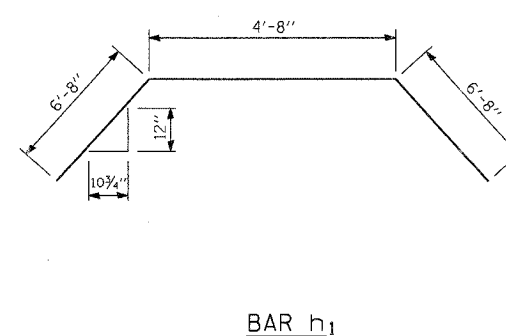
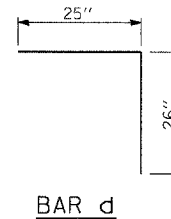
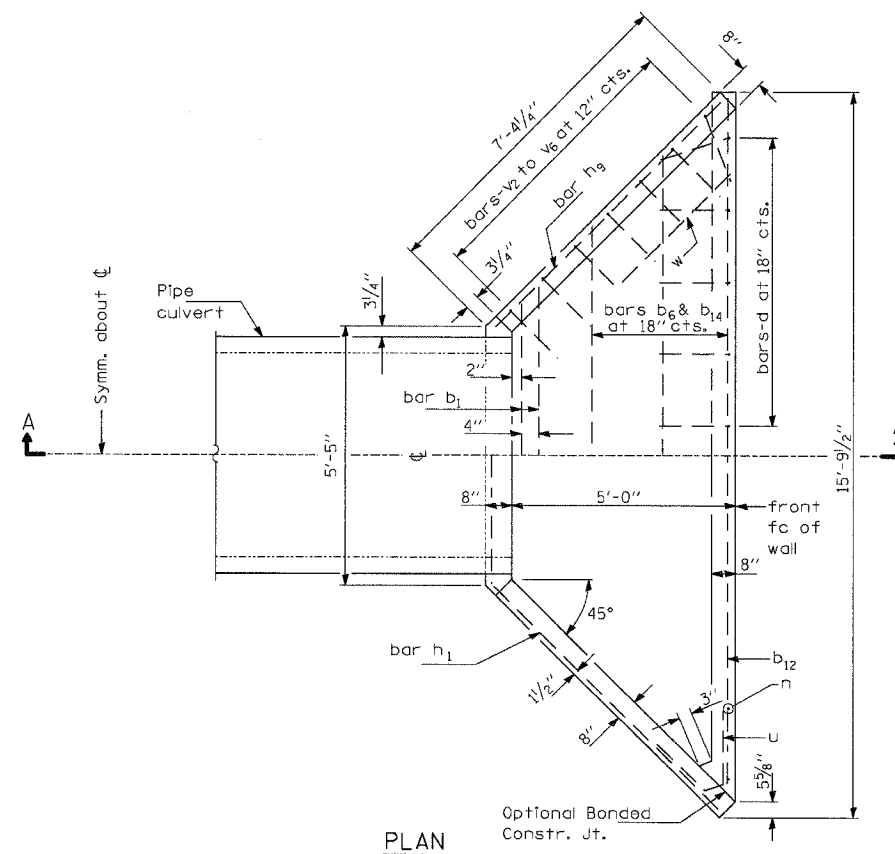
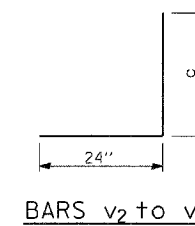
ITEM	UNIT	QUANTITY
CAST-IN-PLACE REINFORCED CONCRETE END SECTIONS 48"	EACH	1

## BAR LIST - 1 END SECTION FOR INFORMATION ONLY

Bar	No.	Size	Length	Shape
d	10	#5	4'-3"	┌
b1	2	#5	6'-9"	—
b6	1	#4	10'-0"	—
b10	1	#4	13'-0"	—
b12	2	#4	14'-3"	—
b14	2	#4	15'-6"	—
h1	2	#5	18'-0"	┘
h3	4	#4	6'-3"	—
n	10	#5	3'-6"	—
u	4	#5	5'-0"	┘
v2	2	#5	7'-0"	┘
v3	4	#5	6'-6"	┘
v4	2	#5	6'-0"	┘
v5	2	#5	5'-6"	┘
v6	4	#5	5'-0"	┘
w	2	#4	4'-0"	—
Reinforcement Bars			Pound	320
Concrete Structures			Cu. Yd.	4.4

## DIMENSIONS OF BENT BARS

No. 5-bars v2 to v6		
BARS	c	TOTAL LENGTH
v2	5'-0"	7'-0"
v3	4'-6"	6'-6"
v4	4'-0"	6'-0"
v5	3'-6"	5'-6"
v6	36"	5'-0"



## CONCRETE END SECTION DETAILS STANDARD 542106 (MODIFIED)

LOCATION 7  
FAS 621 (CH 10)  
SECTION 05-00075-05-RS  
SANGAMON COUNTY

CUMMINS ENGINEERING CORPORATION  
JOB #: 2171  
FILE: 2171endsec  
DATE: 5/3/07

LOCATION 7 STA 68+14