

ROUTE NO.	SECTION	COUNTY	TOTAL SHEETS	SHEET NO.
FAS 621	05-00075-05-RS	SANGAMON	72	37
ROAD DIST.	ILLINOIS PROJECT			

CONTRACT NO. 93439

**GENERAL NOTES**

Hatched areas indicate limits of Concrete Removal.

The barrel extension shall be poured monolithically with the wingwalls.

Exposed edges shall be beveled 3/4".

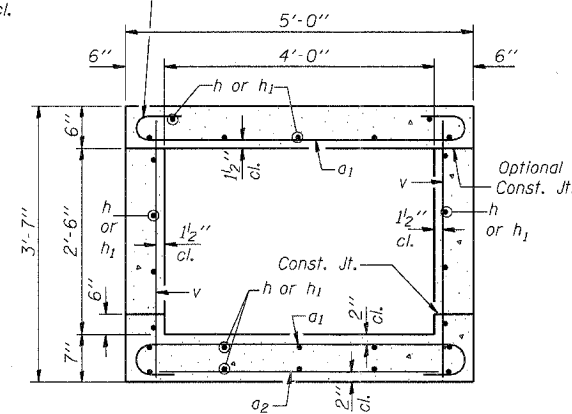
Reinforcement Bars shall conform to the requirements of ASTM A 706 Grade 60 (IL Modified). See Special Provisions

Existing reinforcement bars extending into the removal area shall be cleaned, straightened and incorporated into the new construction. All reinforcement bars that are damaged during concrete removal shall be replaced with an approved bar splicer or anchorage system. Cost included in the cost of Concrete Removal.

All construction joints shall be bonded.

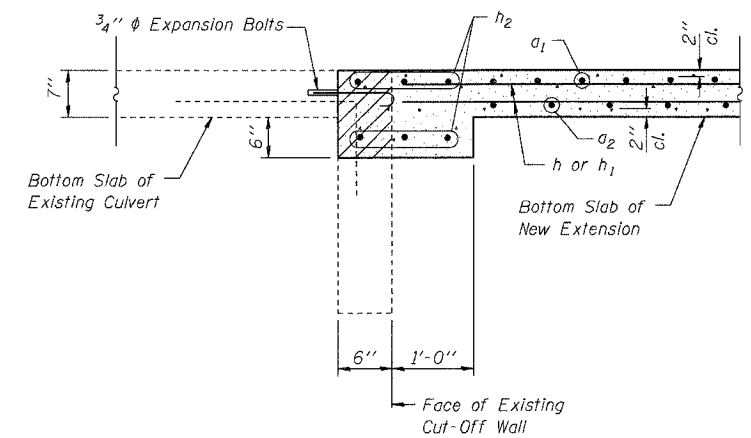
Plan dimensions and details relative to the existing structure are subject to nominal variations. It shall be the Contractor's responsibility to verify such dimensions and details in the field and make necessary approved adjustments prior to construction or ordering of materials. Such variations shall not be cause for additional compensation for a change in the scope of the work, however, the Contractor will be paid for the quantity actually furnished at the unit price for the work.

Tilt hook of a<sub>1</sub> bars if necessary to maintain 1/2" min. cl.



**SECTION THRU BARREL**

(Dim.'s are @ Right L's)

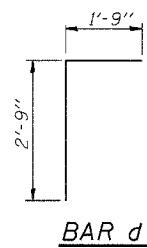


**DETAIL A**

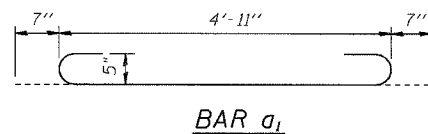
(Dim.'s are @ Right L's)

**BILL OF MATERIAL**

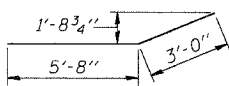
Bar	No.	Size	Length	Shape	
a <sub>1</sub>	88	#5	6'-1"	U	
a <sub>2</sub>	19	#4	5'-0"	—	
d	10	#4	4'-6"	L	
h	17	#5	11'-5"	—	
h <sub>1</sub>	17	#5	13'-2"	—	
h <sub>2</sub>	30	#6	5'-0"	—	
h <sub>3</sub>	24	#4	8'-8"	L	
h <sub>4</sub>	24	#4	6'-10"	L	
v	74	#4	3'-3"	—	
v <sub>1</sub>	16	#4	6'-2"	—	
Concrete Box Culverts				Cu. Yd.	11.5
Reinforcement Bars				Pound	1790
Expansion Bolts 3/4 Inch				Each	24
Concrete Removal				Cu. Yd.	0.1



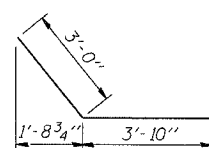
**BAR d**



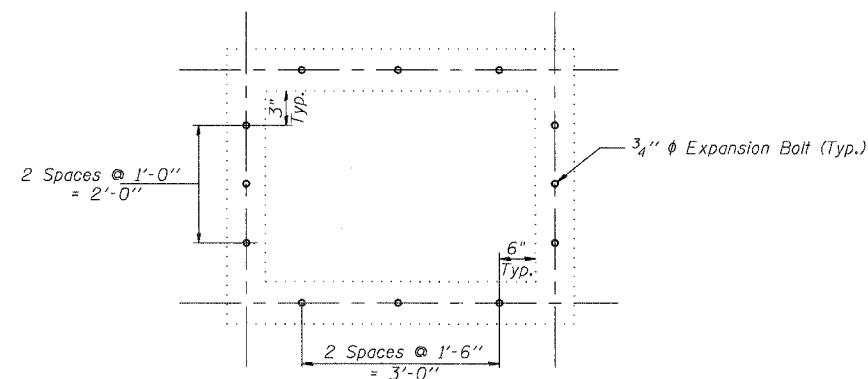
**BAR a<sub>1</sub>**



**BAR h<sub>3</sub>**



**BAR h<sub>4</sub>**



**SECTION THRU BARREL**

(Location of Expansion Bolts)  
(Dim.'s are @ Right L's)

Note:  
Expansion bolts shall be 3/4" diameter hooked bolts. Hooked bolts shall extend a minimum of 9" into new concrete.

DESIGNED	Tim S. Howard
CHECKED	Ruben V. Boehler
DRAWN	Nicole L. Darling
CHECKED	Michael D. Cummins

(Sheet 2 of 2)

**CULVERT DETAILS**  
**LOCATION 11**  
**FAS 621 (CH 10)**  
**SECTION 05-00075-05-RS**  
**SANGAMON COUNTY**  
**STA. 177+13**

CUMMINS ENGINEERING CORPORATION

JOB #:	2171
FILE:	2171sn11
DATE:	4/10/07