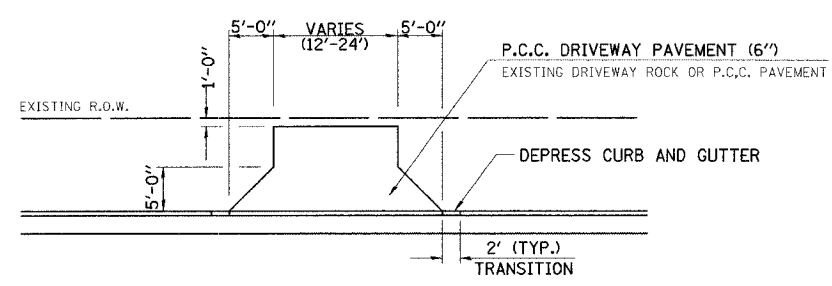
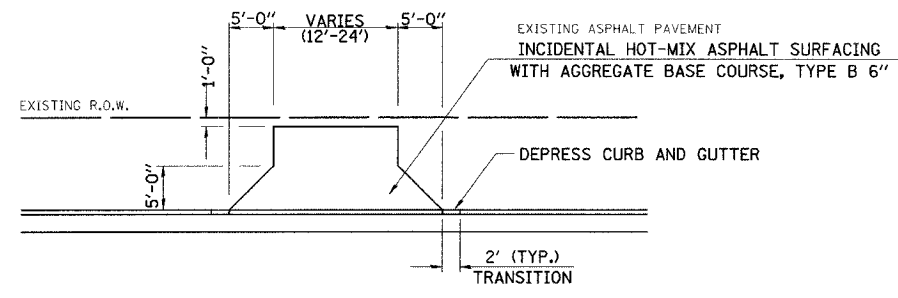


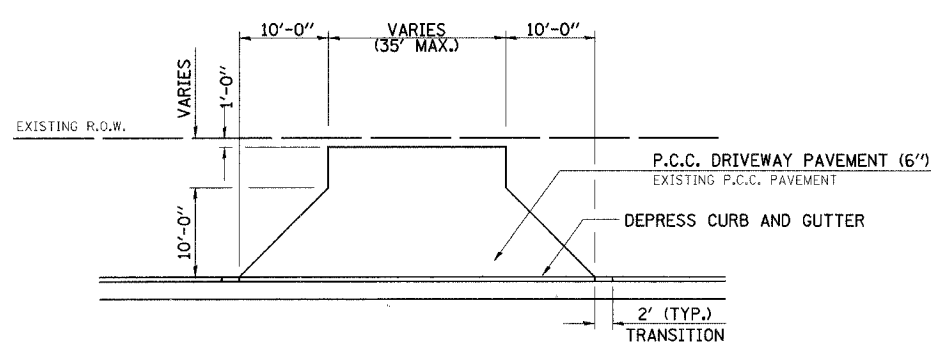
93443 CONTRACT NO.				
F.A.U. RTE.	SECTION	COUNTY	TOTAL SHEETS	SHEET NO.
8146	06-00029-00-TL	SANGAMON	67	38
STA.		TO STA.		
FED. ROAD DIST. NO.		ILLINOIS	FED. AID PROJECT #	
		*HS-8146(003)		



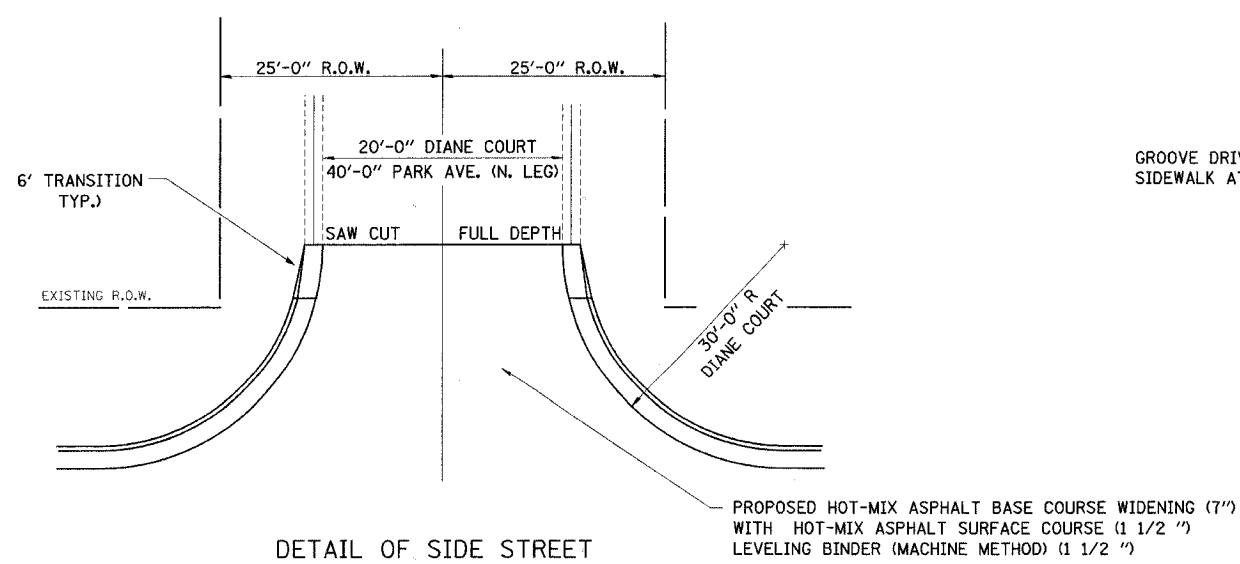
DETAIL OF PRIVATE ENTRANCE



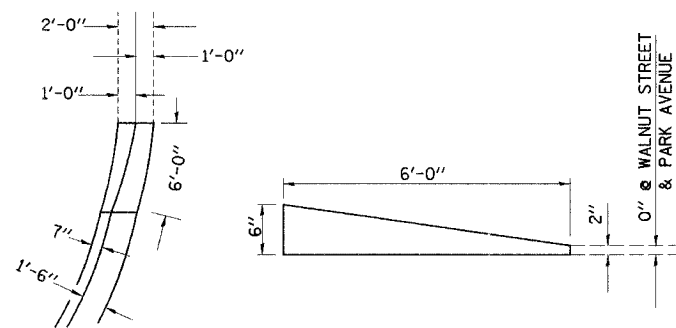
DETAIL OF PRIVATE ENTRANCE



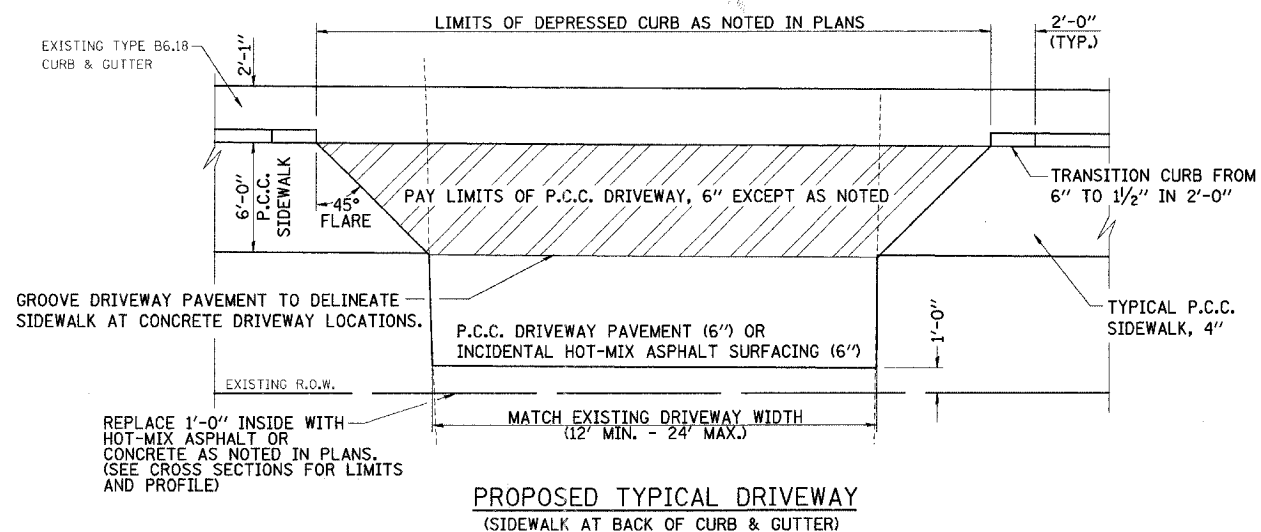
DETAIL OF COMMERCIAL ENTRANCE



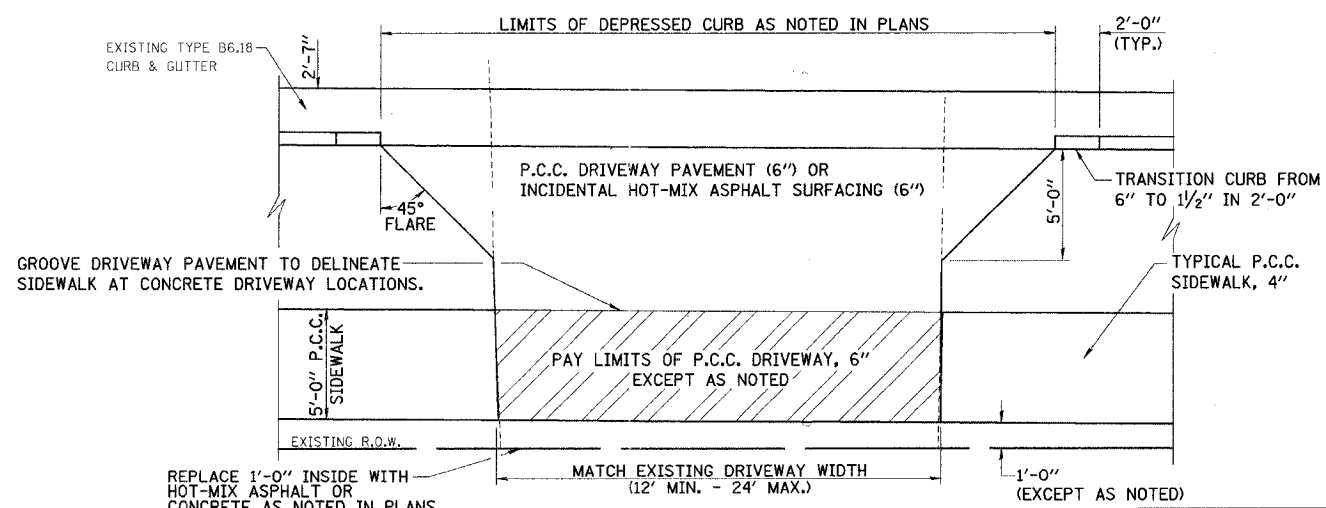
DETAIL OF SIDE STREET



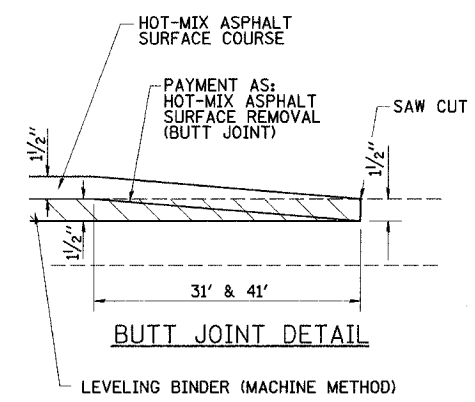
DETAIL OF 6' TRANSITION



PROPOSED TYPICAL DRIVEWAY
(SIDEWALK AT BACK OF CURB & GUTTER)



PROPOSED TYPICAL DRIVEWAY
(SIDEWALK NEAR THE R.O.W. LINE)



BUTT JOINT DETAIL

REVISIONS	
NAME	DATE
IDOT REVIEW	4/11/07

ILLINOIS DEPARTMENT OF TRANSPORTATION
ENTRANCE DETAILS

VILLAGE OF CHATHAM
SECTION 06-00029-00-TL
SANGAMON COUNTY
WALNUT ST. / PARK AVE. IMPROVEMENTS

SCALE: VERT. _____
HORIZ. _____
DATE: 2/16/07

DRAWN BY: SUTHEARD
CHECKED BY: BOTT

GREENE & BRADFORD, INC.
OF SPRINGFIELD

COMPUTER FILE NO.
06152DET

PROJECT 06152
4/27/07 - FAV

PLOT DATE = 4/27/07
 FILE NAME = I:\BASIS\DRAWINGS\06152DET.dgn
 PLOT SCALE = 20.0000 / IN.
 MODEL = Default
 OPERATOR = Franky