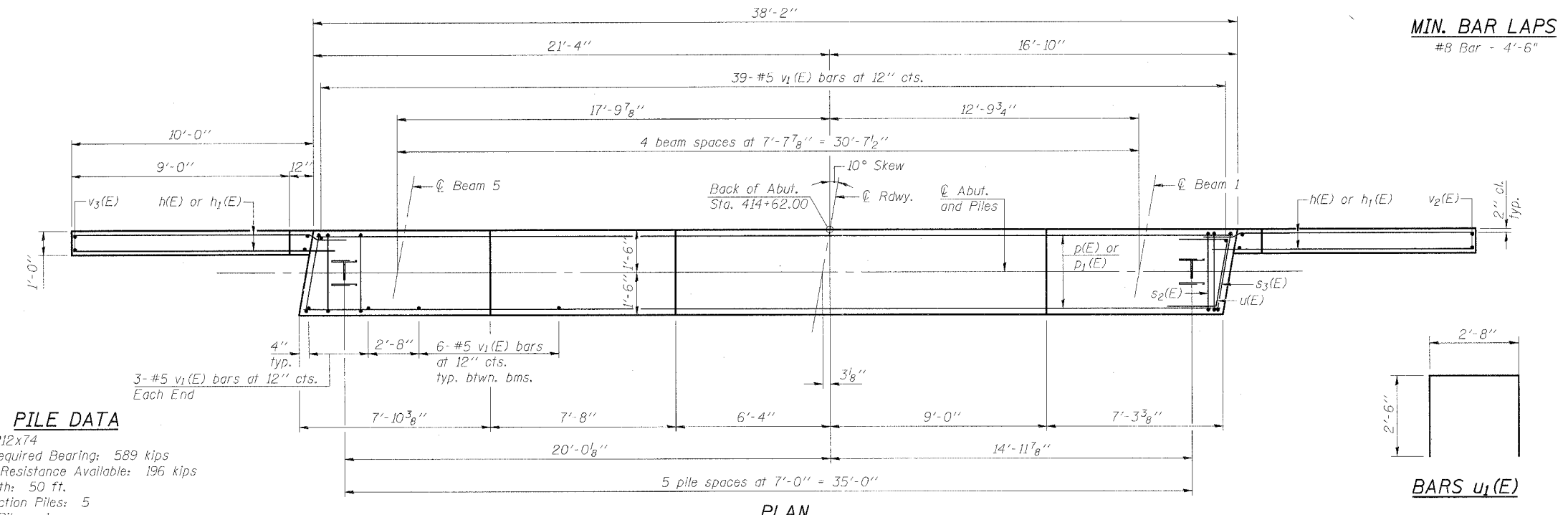
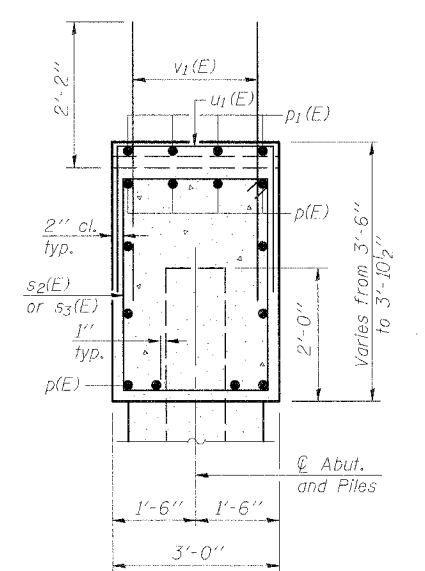
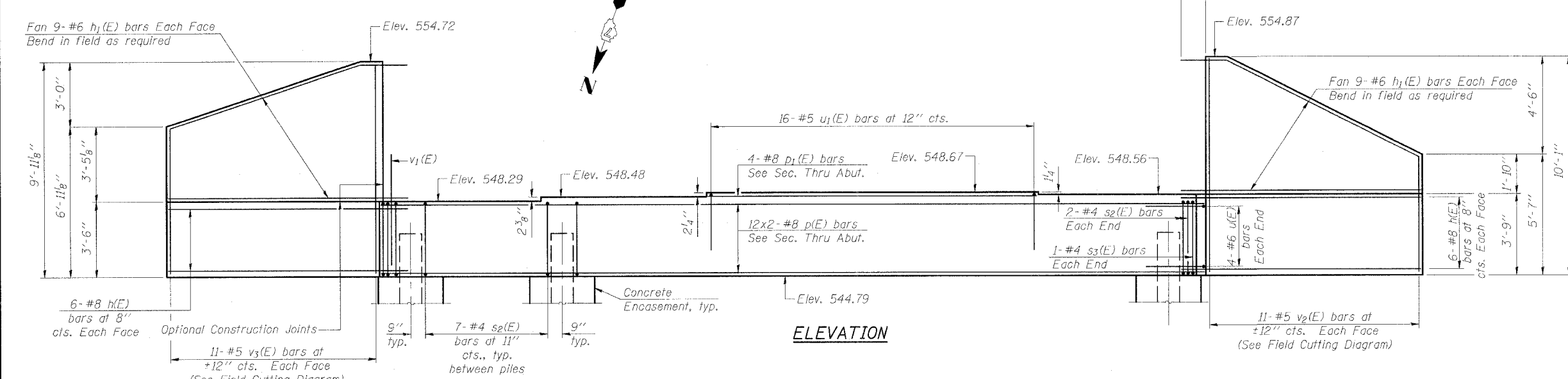


Notes: Four steps monolithically with cap.



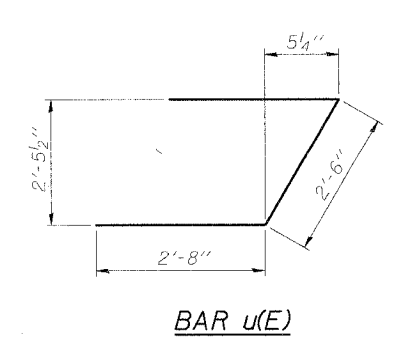
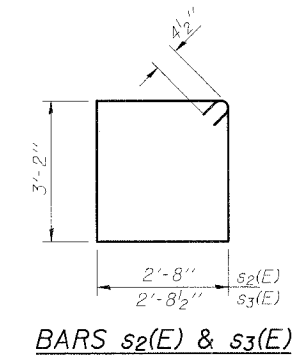
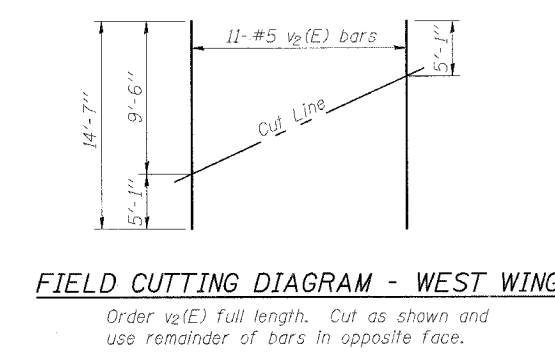
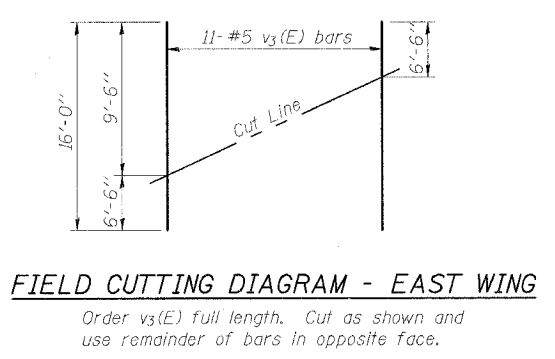
MIN. BAR LAPS  
#8 Bar - 4'-6"

**PILE DATA**  
Type: HP12x74  
Nominal Required Bearing: 589 kips  
Allowable Resistance Available: 196 kips  
Est. Length: 50 ft.  
No. Production Piles: 5  
No. Test Piles: 1

**BILL OF MATERIAL**

Bar	No.	Size	Length	Shape
h(E)	24	#8	14'-4"	—
h1(E)	36	#6	13'-6"	—
p(E)	16	#8	21'-2"	—
p1(E)	4	#8	15'-0"	—
s2(E)	32	#4	12'-5"	□
s3(E)	2	#4	12'-6"	□
u(E)	8	#6	7'-10"	∩
u1(E)	16	#5	7'-8"	∩
v1(E)	69	#5	4'-4"	—
v2(E)	11	#5	14'-7"	—
v3(E)	11	#5	16'-0"	—
Structure Excavation		Cu. Yd.	172	
Concrete Structures		Cu. Yd.	22	
Reinforcement Bars, Epoxy Coated		Pound	3880	
Furnishing Steel Piles, HP12x74		Foot	250	
Driving Steel Piles		Foot	250	
Test Pile, HP12x74		Each	1	
Concrete Encasement		Cu. Yd.	2.10	

For details of piles and Concrete Encasement, see sheet 19 of 23.



SOUTH ABUTMENT  
OUTER BELT WEST OVER TRIBUTARY  
TO LITTLE WABASH RIVER  
LOCAL ROAD SEC. 03-00098-00-BR  
EFFINGHAM COUNTY  
STATION 415+66.00  
STRUCTURE NO. 025-6009

© Copyright Hanson Professional Services Inc. 2007

**HANSON**

JOB NO. 05S2071  
DATE 03/29/07

03/29/2007 10:35 AM  
 I:\05 Jobs\052071\CADD\Struct\Modell\FinalPlan.dgn  
 LAYOUT: MW 12/20/07  
 DRAWN: DAP 01/12/07  
 REVIEWED: JLT 01/12/07