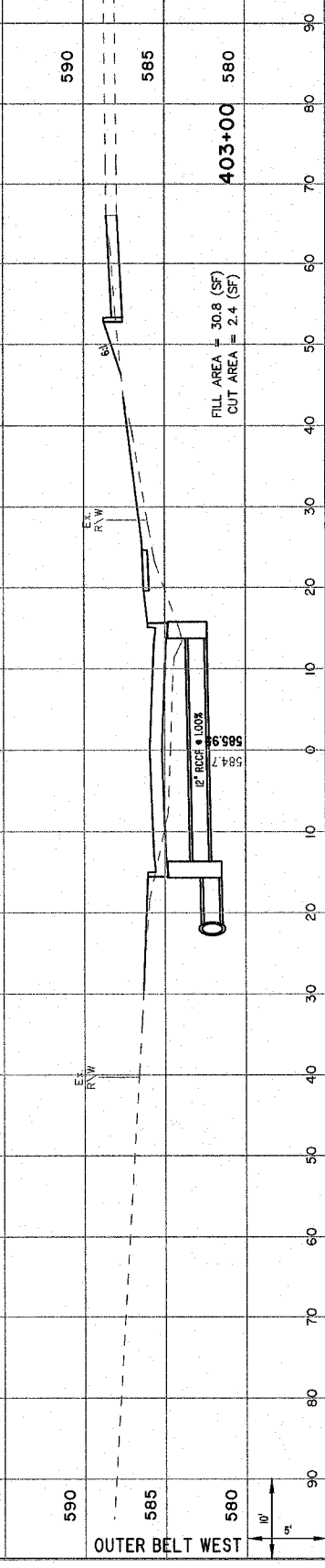


ROUTE NO.	SECTION	COUNTY	TOTAL SHEETS	SHEET NO.
FAU 8384	*	EFFINGHAM	95	66

FED. ROAD DIST. NO. 7  
 E.L.N.O.R.  
 FED. AID PROJECT-NP-40M(24)  
 \* SECTION 05-00094-01-PV  
 SECTION 03-00098-00-BR  
 CONTRACT #95503



OUTER BELT WEST