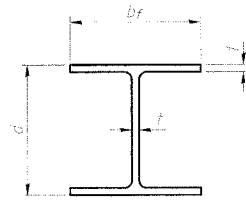
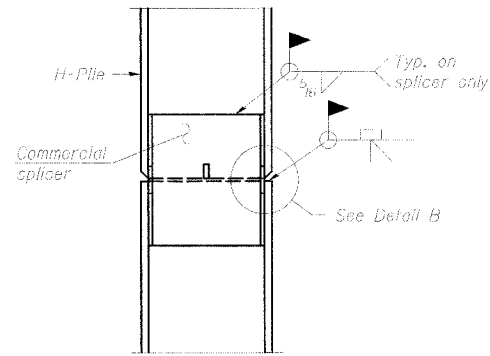


T.R. SECTION	COUNTY	TOTAL SHEETS	SHEET NO.
335A 06-15129-00-BR	SHELBY	11	8
STA. 20+00 TO STA. 25+00			
FED. ROAD DIST. NO. ILLINOIS FED. AID PROJECT			

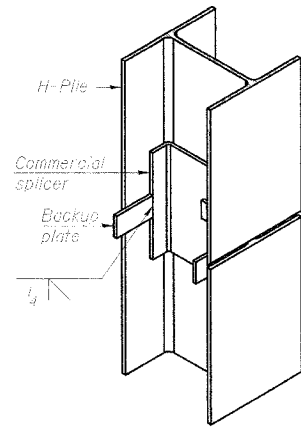


STEEL PILE TABLE

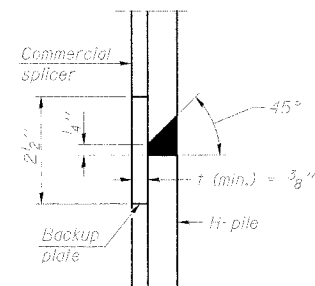
Designation	Depth d	Flange width bf	Web and Flange thickness t	Encasement diameter A
HP 14x117	14 1/4"	14 7/8"	1 1/8"	30"
x102	14"	14 3/4"	1 1/8"	30"
x89	13 7/8"	14 3/4"	5/8"	30"
x73	13 5/8"	14 5/8"	1/2"	30"
HP 12x84	12 1/4"	12 1/4"	1 1/8"	24"
x74	12 1/8"	12 1/4"	5/8"	24"
x63	12"	12 1/8"	1/2"	24"
x53	11 3/4"	12"	7/16"	24"
HP 10x57	10"	10 1/4"	9/16"	24"
x42	9 3/4"	10 5/8"	1/2"	24"
HP 8x36	8"	8 5/8"	7/16"	18"



ELEVATION

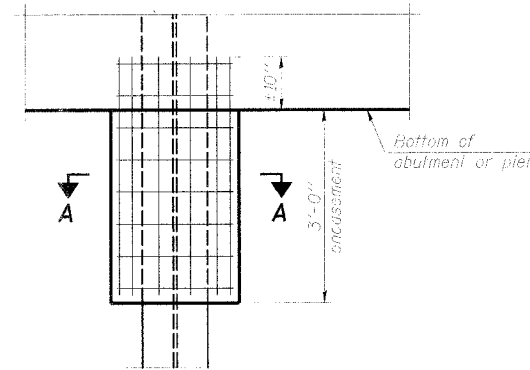


ISOMETRIC VIEW



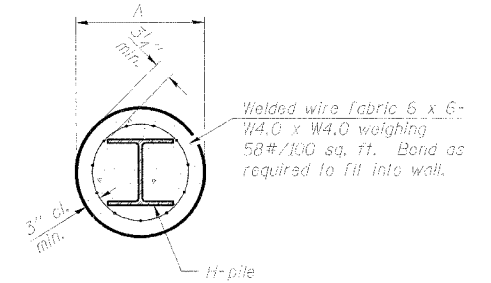
DETAIL "B"

WELDED COMMERCIAL SPLICE



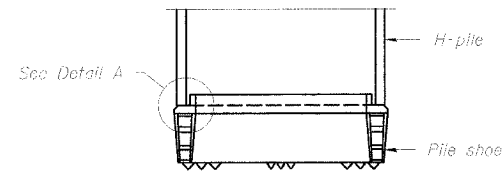
ELEVATION

PILE ENCASEMENT



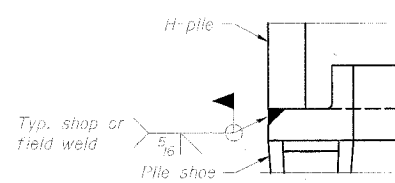
SECTION A-A

Note: Forms for encasement may be omitted when soil conditions permit.

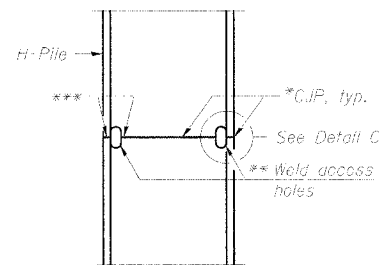


ELEVATION

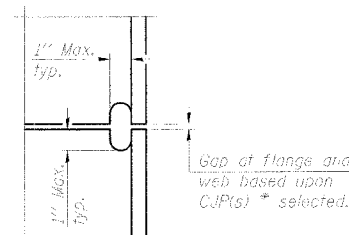
H-PILE SHOE ATTACHMENT



DETAIL A

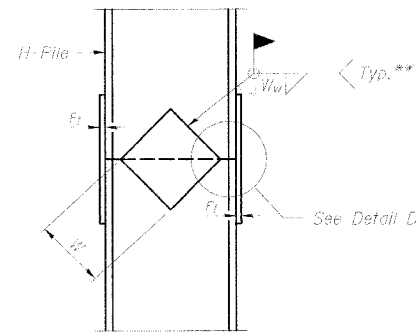


ELEVATION



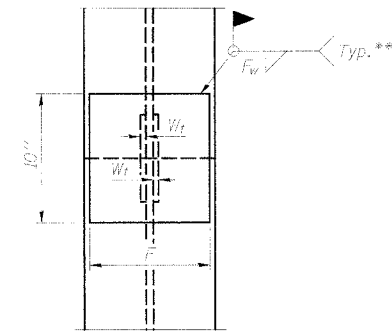
DETAIL C

COMPLETE PENETRATION WELD SPLICE



ELEVATION

WELDED PLATE FIELD SPLICE



END VIEW

Designation	F	F _t	F _w	W	W _t	W _w
HP 14x117	12 1/2"	1"	7/8"	7 3/4"	5/8"	1/2"
x102	12 1/2"	7/8"	3/4"	7 3/4"	5/8"	1/2"
x89	12 1/2"	5/8"	3/4"	7 3/4"	5/8"	1/2"
x73	12 1/2"	5/8"	9/16"	7 3/4"	5/8"	1/2"
HP 12x84	10"	7/8"	7/8"	6 1/2"	5/8"	1/2"
x74	10"	7/8"	7/8"	6 1/2"	5/8"	1/2"
x63	10"	5/8"	1/2"	6 1/2"	1/2"	3/8"
x53	10"	5/8"	1/2"	6 1/2"	1/2"	3/8"
HP 10x57	8"	5/4"	9/16"	5 1/4"	1/2"	3/8"
x42	8"	5/8"	9/16"	5 1/4"	1/2"	3/8"
HP 8x36	7"	5/8"	7/16"	4 1/4"	1/2"	3/8"

Note: The steel H piles shall be according to AASHTO M270 Grade 50.

PILE SPLICE DETAILS
T.R. 335A OVER BRUSH CREEK
SECTION 06-15129-00-BR
SHELBY COUNTY

- * Use joint conforming to Figure 3.4 in AWS D11, Structure Welding Code - Steel.
- ** Preparation per Fig. 5.2 in AWS D11, Structure Welding Code - Steel.
- *** Interrupt welds 1/4" from end of each pile.