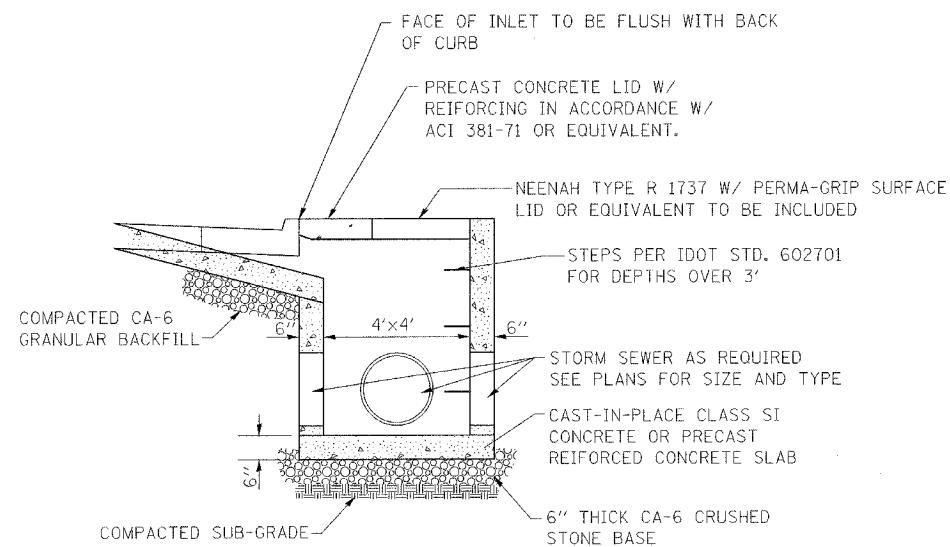
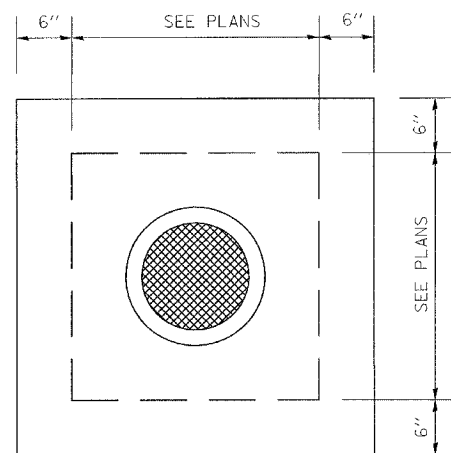


F.A. RTE.	SECTION	COUNTY	TOTAL SHEETS	SHEET NO.
9127	06-00081-02-LS	MADISON	45	19
STA.		TO STA.		
FED. ROAD DIST. NO.		ILLINOIS	FED. AID PROJECT	
DRAINAGE DETAILS				

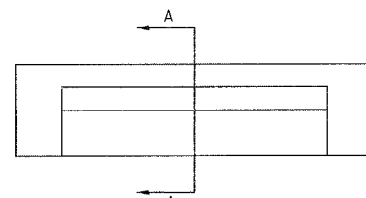


INLET SPECIAL, 4'
(NOT TO SCALE)

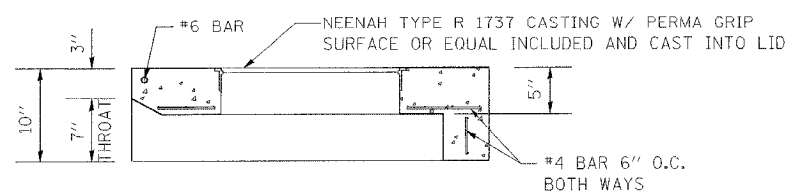
NOTE:
ALL INLETS WITH STORM SEWER PIPES EXCEEDING 24" SHALL HAVE INNER DIMENSIONS OF 12" PLUS THE DIAMETER OF THE PIPE



PLAN



ELEVATION



SECTION A-A

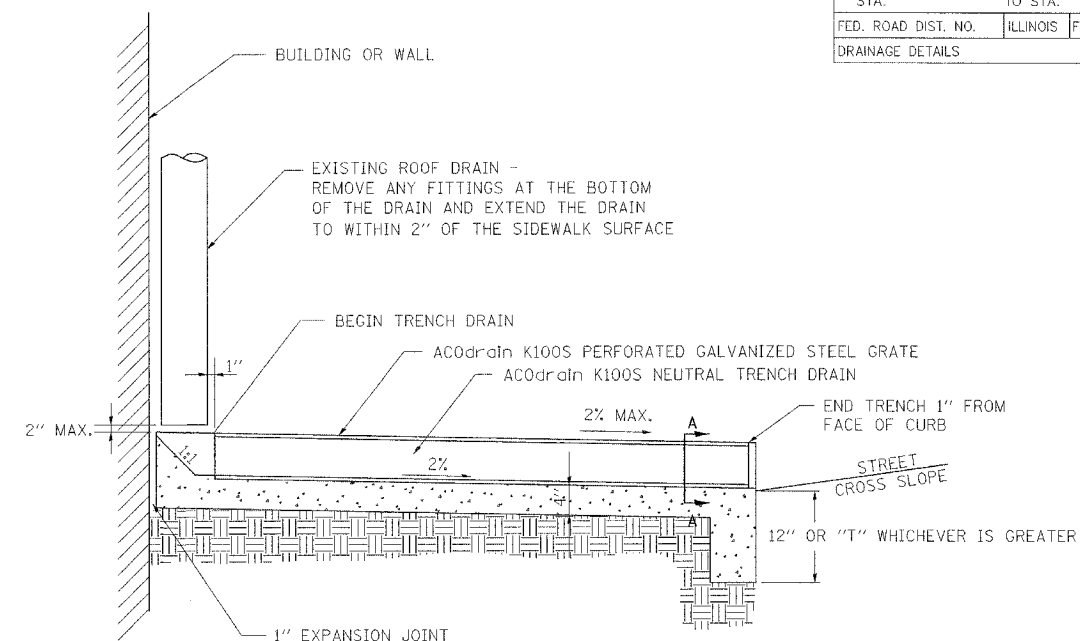
INLET SPECIAL LID

DRAIN SCHEDULE

STATION	LT / RT	PIPE DRAIN 4" SPL (FOOT) 60101605	PIPE DRAIN 6" SPL (FOOT) 60101705	TRENCH DRAIN (FOOT) XX003121
WEST MAIN STREET				
11+72	LT		12	
12+08	LT		12	
12+46	LT		17	
14+59	RT	12		
19+16	LT	13		
22+64	LT			11
23+16	RT			9
23+67	RT			9
26+52	RT			9
26+78	LT			10
26+95	RT			10
27+11	LT			12
28+09	LT			12
28+40	LT			12
SUBTOTALS		25	41	94
CLINTON STREET				
52+39	LT			13
53+18	LT			13
54+49	RT			13
SUBTOTALS		0	0	39
TOTAL		25	41	133

INLET SCHEDULE

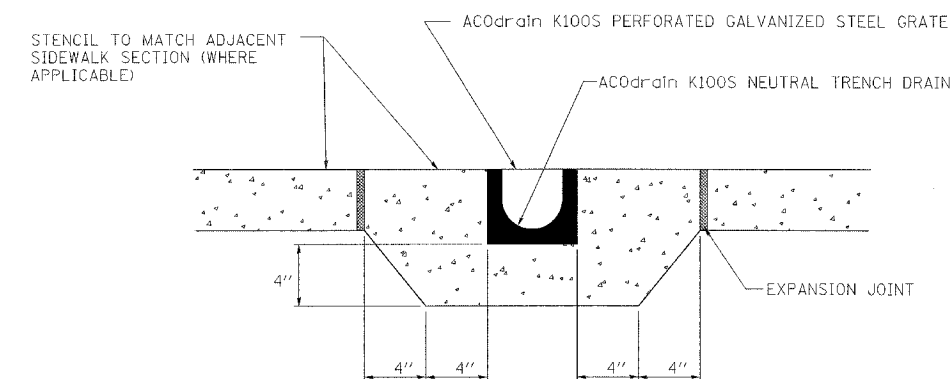
STATION	LT / RT	INLET AND PIPE PROTECTION 28000500 (EACH)	INLETS TA T 3 F&G 60235700 (EACH)	INLETS ADJ NEW T3 F&G 60260500 (EACH)	INLETS ADJ NEW T9 F&G 60261100 (EACH)	REMOVE INLET 60500060 (EACH)	INLETS SPL, 4 (EACH)	INLETS SPL, REM & REPL LID (EACH)
WEST MAIN STREET								
10+40	LT	1		1				
12+28	RT	1			1			
12+31	RT	1			1			
12+31	LT	1		1				
12+34	LT	1		1				
13+88	RT	1		1				
17+37	RT	1		1				
17+42	LT	1				1	1	
17+67	RT	1			1			
25+06	LT	1						1
25+06	RT	1	1					
26+09	LT	1						1
26+13	RT	1	1					
SUBTOTALS		13	2	5	3	1	1	2
CLINTON STREET								
50+22	RT	1						
51+76	RT	1						
53+67	RT	1						1
SUBTOTALS		3		0	0	0	0	1
TOTALS		16	2	5	3	1	1	3



TRENCH DRAIN SPECIAL DETAIL

(NOT TO SCALE)

WHERE ROOF DRAINS EMPTY ONTO A COMMON AREA BETWEEN BUILDINGS, OMIT THE SLOPED UPSTREAM END OF THE DRAIN AND CONSTRUCT THE DRAIN TO THE BACK OF THE PROPOSED SIDEWALK LEAVING THE ENDS OPEN TO COLLECT WATER FLOWING DOWN THE COMMON AREA.



SECTION A-A

(NOT TO SCALE)