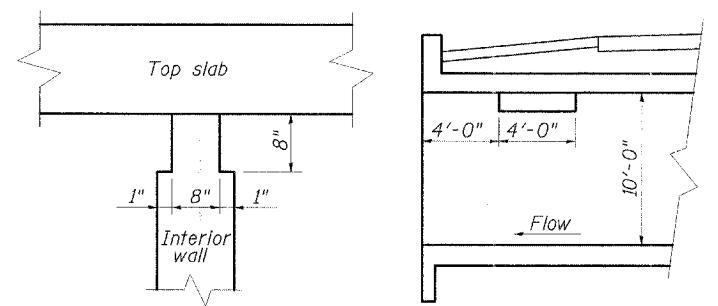
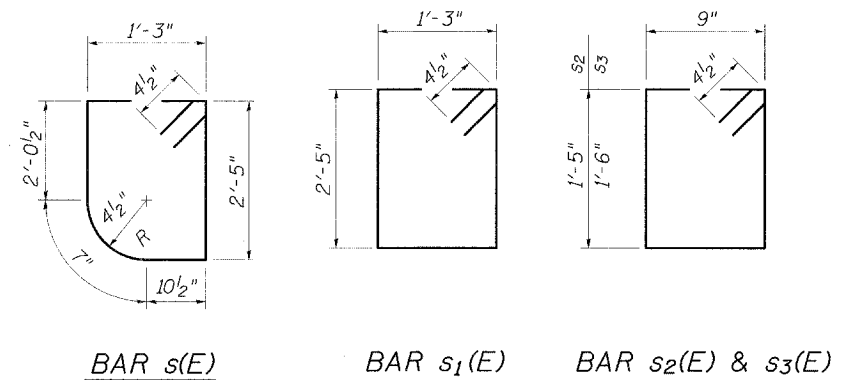
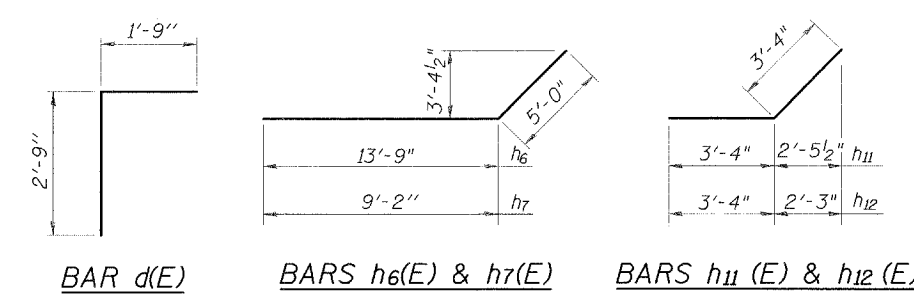
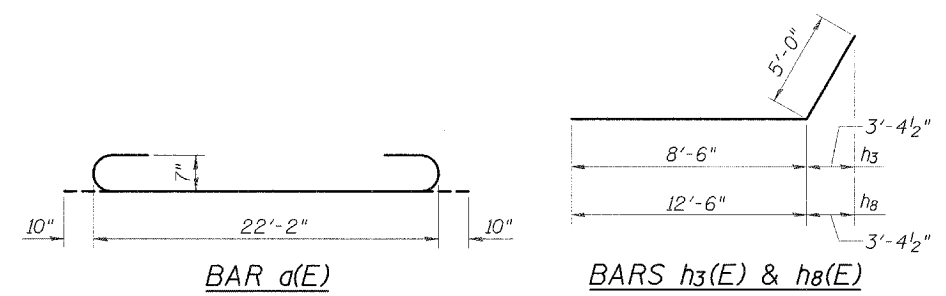
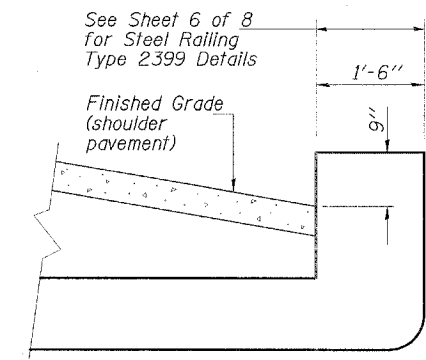
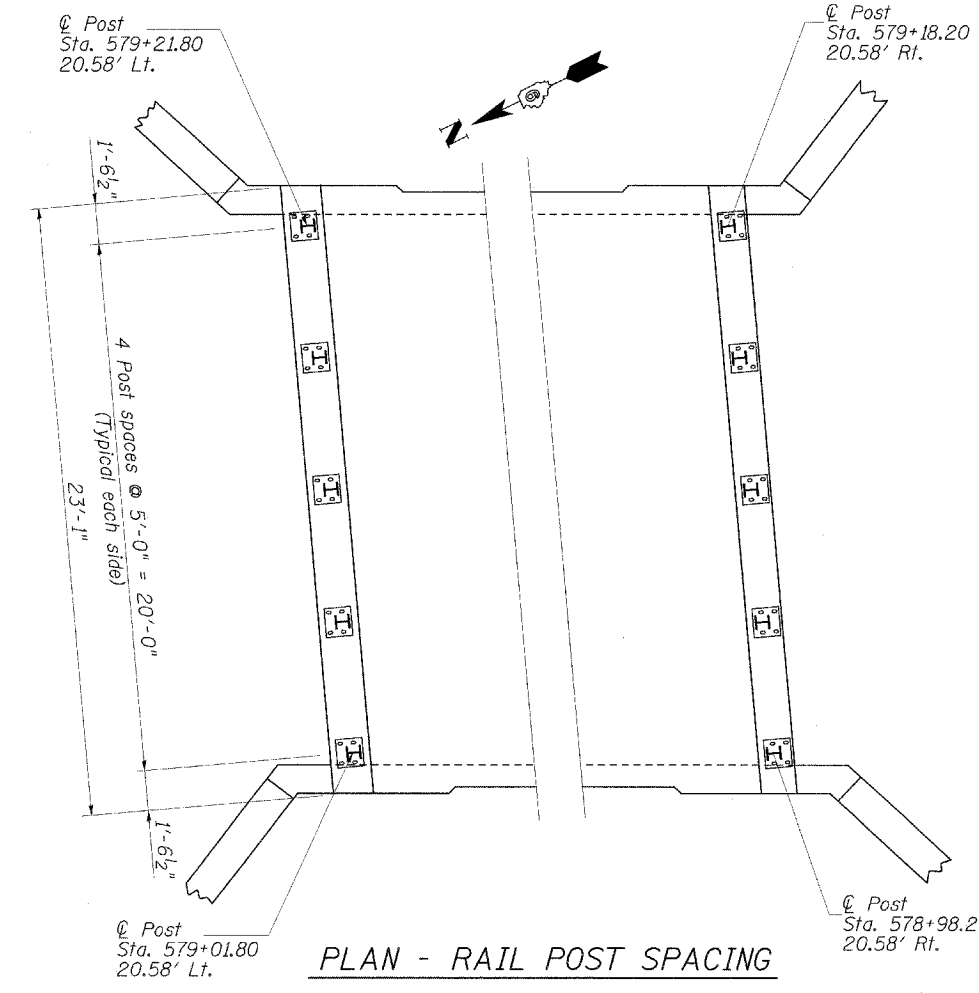


BILL OF MATERIAL

Bar	No.	Size	Length	Shape
a (E)	104	#7	23'-10"	U
a1 (E)	104	#7	22'-2"	—
d (E)	48	#4	4'-6"	L
h (E)	54	#6	20'-3"	—
h1 (E)	54	#6	22'-3"	—
h2 (E)	36	#6	20'-3"	—
h3 (E)	66	#7	13'-6"	—
h4 (E)	26	#6	22'-3"	—
h5 (E)	36	#6	22'-3"	—
h6 (E)	32	#7	18'-9"	—
h7 (E)	66	#7	14'-2"	—
h8 (E)	32	#7	17'-6"	—
h9 (E)	46	#5	20'-3"	—
h10 (E)	46	#5	22'-3"	—
h11 (E)	62	#7	6'-8"	—
h12 (E)	62	#7	6'-8"	—
s (E)	24	#4	7'-11"	U
s1 (E)	24	#4	8'-1"	U
s2 (E)	24	#4	5'-1"	U
s3 (E)	24	#4	5'-3"	U
v (E)	262	#4	10'-0"	—
v1 (E)	262	#4	2'-8"	—
v2 (E)	24	#4	15'-4"	—
Stone Riprap, Class A5	Sq. Yd.		160	
Filter Fabric	Sq. Yd.		160	
Reinforcement Bars, Epoxy Coated	Pound		29,260	
Concrete Box Culverts	Cu. Yd.		148.5	
Bar Splicers	Each		136	
Porous Granular Embankment	Cu. Yd.		413	



PHOEBE NESTING SITE DETAIL
(Near Downstream End)

NOTCH DETAIL
Note: Notch formed by rough-finished board attached to and removed with Formwork.

NOTES:
1. Work this sheet with sheet 4 of 8.

CMT
CRAWFORD MURPHY & TILLY, INC.
CONSULTING ENGINEERS
SPRINGFIELD, IL ■ AURORA, IL ■ ST. LOUIS, MO
ROCKFORD, IL ■ PEORIA, IL ■ CHICAGO, IL

REVISIONS	
NAME	DATE

ILLINOIS DEPARTMENT OF TRANSPORTATION
BOX CULVERT DETAILS - 2
F.A.P. ROUTE 869 (IL. RTE. 14)
ILLINOIS ROUTE 14 OVER
TRIBUTARY TO ANDY CREEK
SECTION 104B-1 STA. 579+10.00
STR. NO. 028-2016 - FRANKLIN COUNTY
SCALE: NONE DRAWN BY: GLD
DATE: 05/08/07 CHECKED BY: WLB