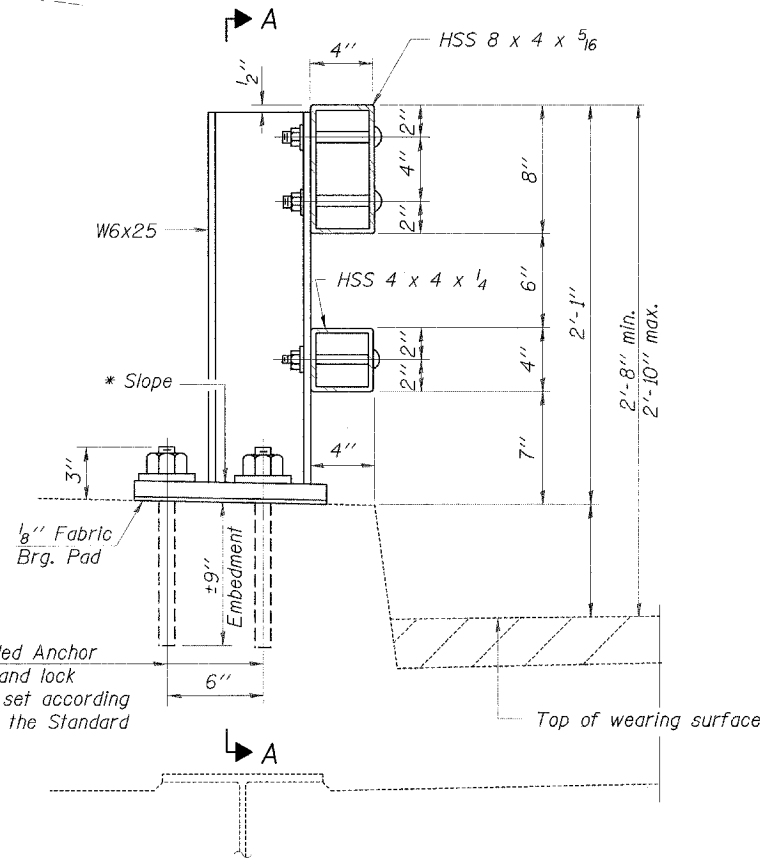
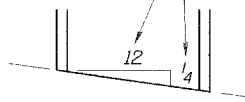
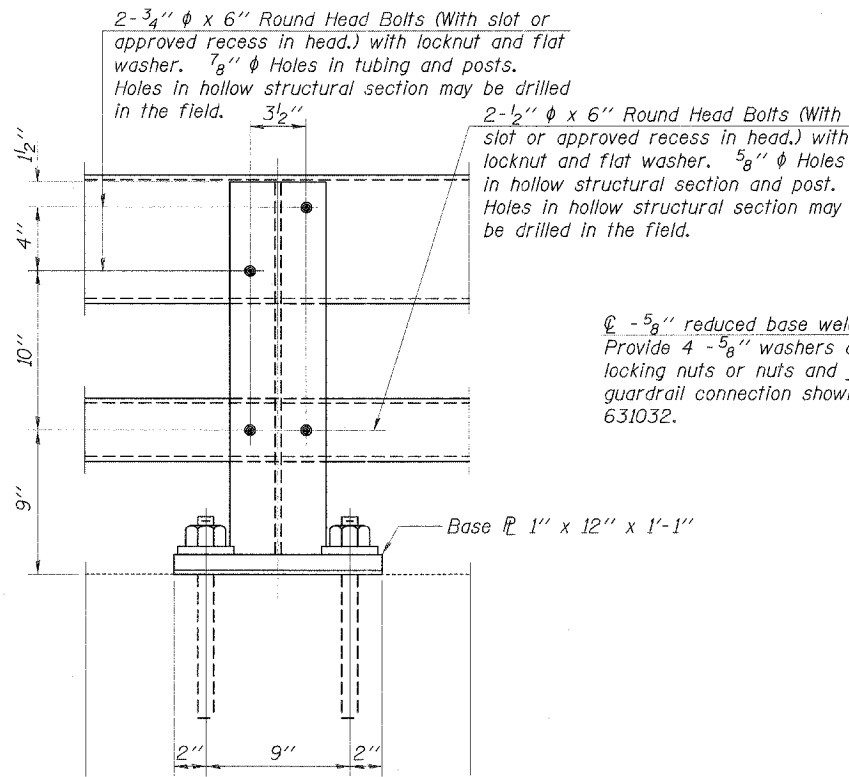


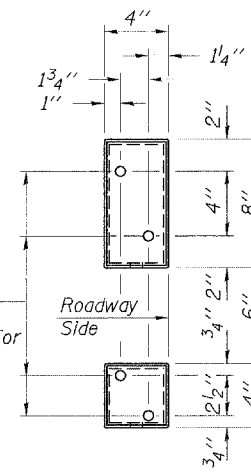
* Cut bottom end of post to curb slope.



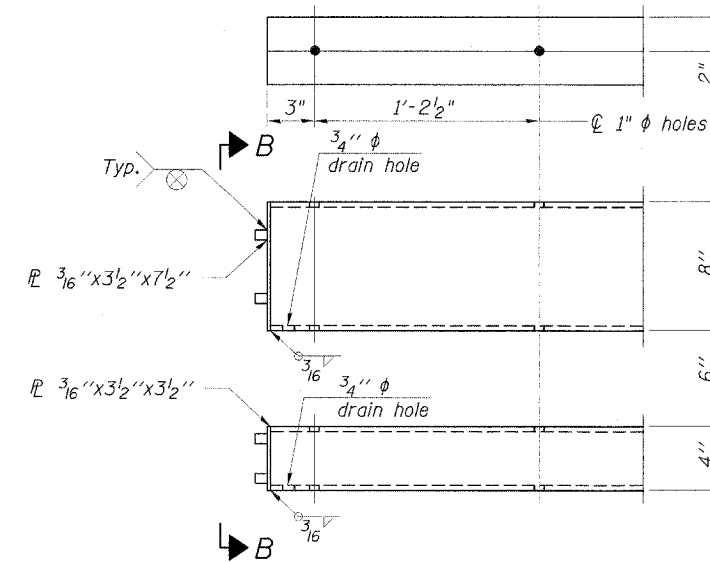
SECTION AT RAIL POST



SECTION A-A



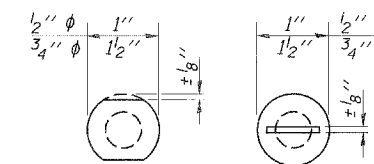
VIEW B-B



END OF RAIL DETAILS

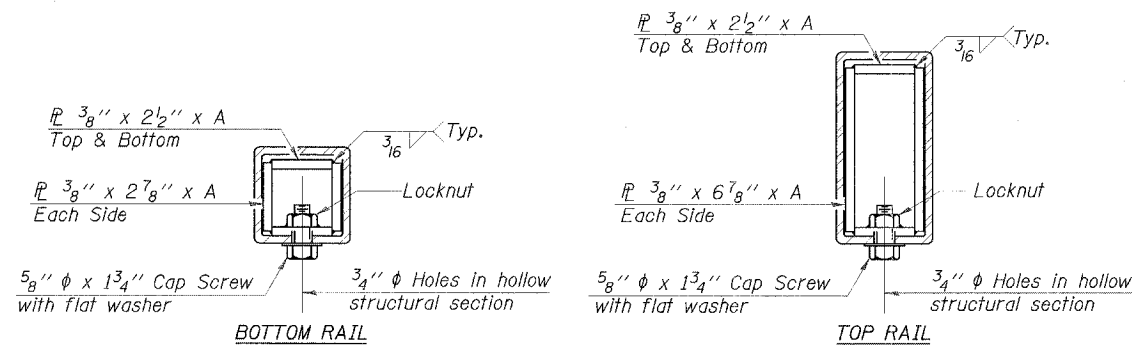
4- 1" ϕ H.S. Threaded Anchor Rods with hex nuts and lock washers, drilled and set according to Article 509.06 of the Standard Specifications.

ϕ - 5/8" reduced base welded studs. Provide 4 - 5/8" washers and self-locking nuts or nuts and jam nuts for guardrail connection shown on Std. 631032.

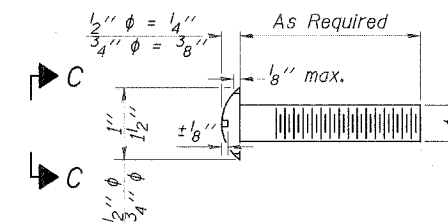


VIEW C-C

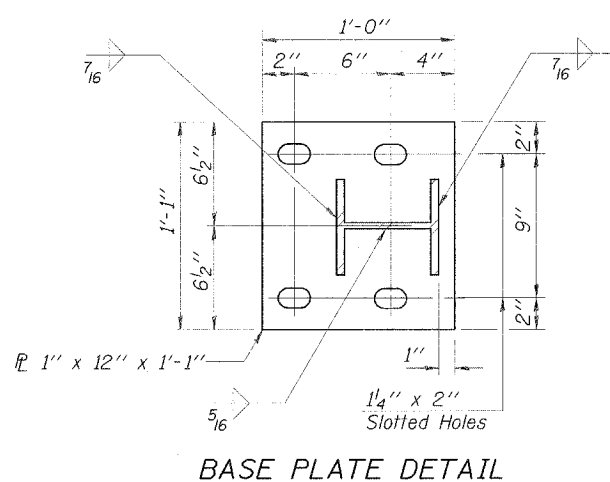
Notes:
 All field drilled holes shall be coated with an approved zinc rich paint before erection.
 Posts shall not be located closer than 1'-3" to an existing bridge expansion joint or end of bridge.
 Steel Bridge Rail expansion joint shall be provided between any two (2) posts which span a bridge expansion joint. Bolts located at expansion joint shall be provided with locknuts and shall be tightened only to a point that will allow ralling movement.
 Provide one 1/8" and two 1/16" steel shims for 25% of the posts. Shims shall be similar to base plates in size and holes.
 All steel rail elements shall be galvanized according to Article 509.05 of the Standard Specifications.



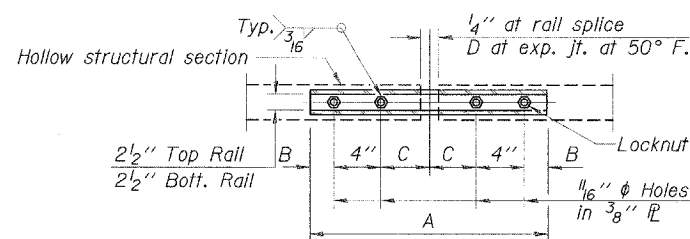
SECTIONS AT RAIL SPLICE



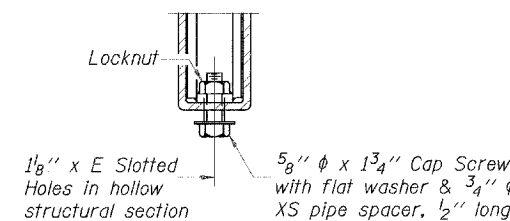
DETAIL OF 1/2" ϕ & 3/4" ϕ ROUND HEAD BOLTS



BASE PLATE DETAIL



PLAN-BOTT. SPLICE TYPICAL



RAIL SPLICE CONNECTION AT EXPANSION JT.

BILL OF MATERIAL

Item	Unit	Quantity
Steel Railing, Type 2399	Foot	46

SPLICE DIMENSIONS

T	D	A	B	C	E
≤ 4"	2 1/2"	1'-8"	2"	4"	2 1/2"
> 4" ≤ 6 1/2"	3 3/4"	2'-0"	2 1/2"	5 1/2"	3 1/2"
> 6 1/2" ≤ 9"	5"	2'-4"	3 1/2"	6 1/2"	9"
> 9" ≤ 13"	7"	2'-10"	4 1/2"	8 1/2"	11"
Rail Splice	1 1/4"	1'-8"	2"	4"	—

T = Total movement at expansion joint as shown on the design plans.

REVISIONS	
NAME	DATE

ILLINOIS DEPARTMENT OF TRANSPORTATION
 STEEL RAILING, TYPE 2399 DETAILS
 F.A.P. ROUTE 869 (IL. RTE. 14)
 ILLINOIS ROUTE 14 OVER
 TRIBUTARY TO ANDY CREEK
 SECTION 104B-1 STA. 579+10.00
 STR. NO. 028-2016 - FRANKLIN COUNTY
 SCALE: NONE DRAWN BY: GLD
 DATE: 05/08/07 CHECKED BY: WLW

