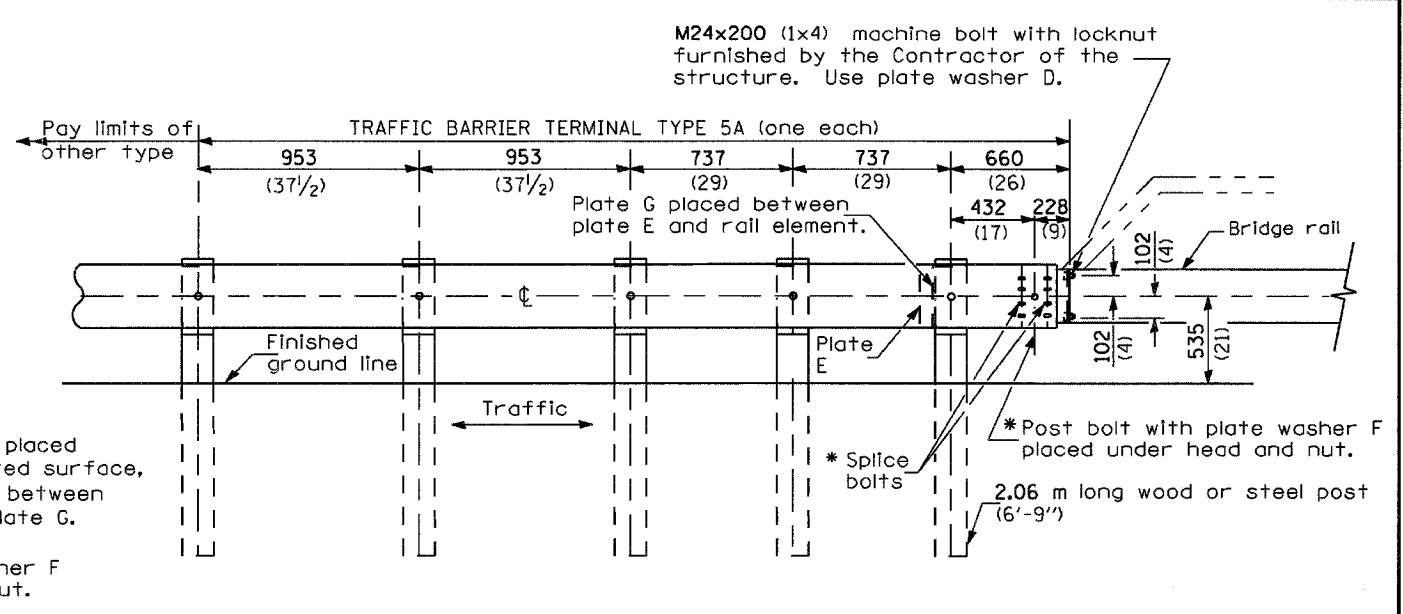
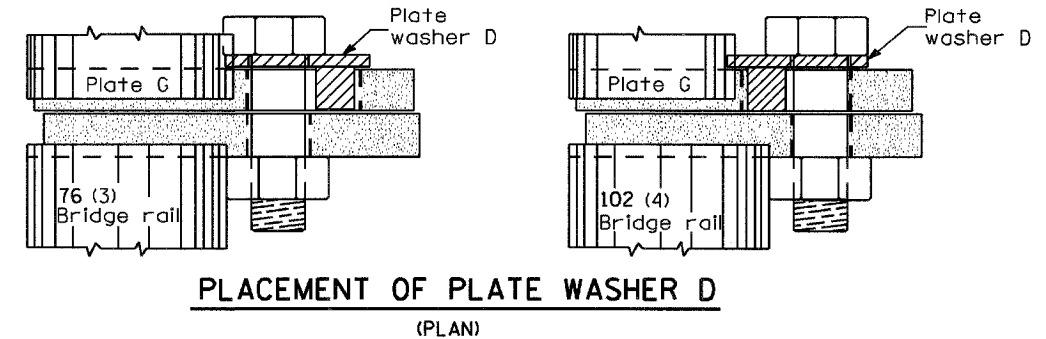
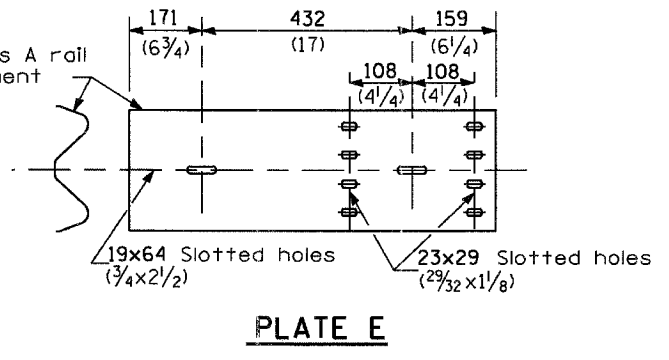
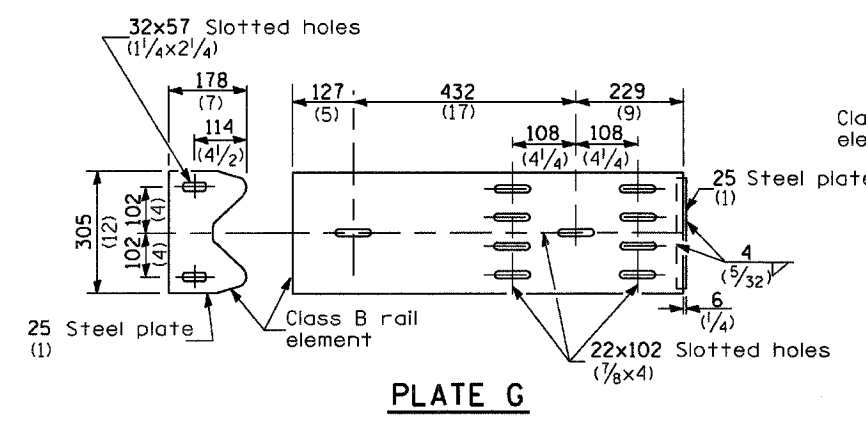


TYPE 5 - CONCRETE BRIDGE PARAPET



TYPE 5A - STEEL BRIDGE RAIL

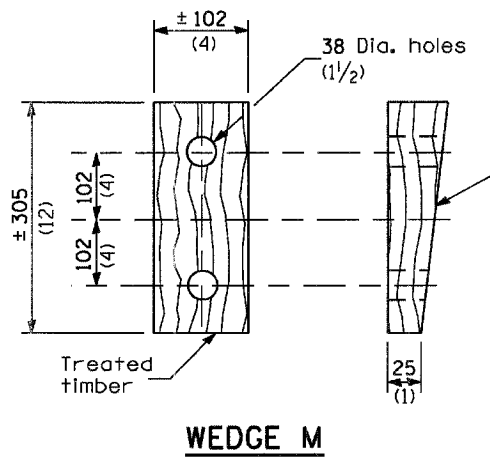
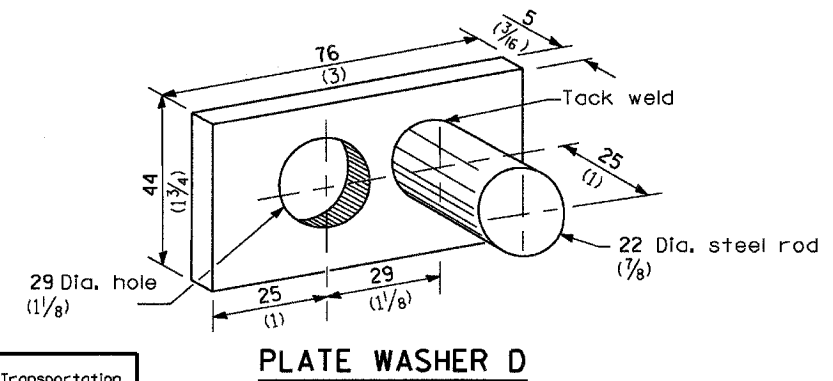


GENERAL NOTES

Install plate washer D so that the 25 mm (1") projection fills the remainder of the slotted holes in the 25 mm (1") end plate on plate G after the M24 (1") dia. bolts are in place.

* Bolts shall be provided with locknut or double nut and shall be tightened only to a point that will allow plate G to be free to move when an expansion joint exists below the connector.

See Standard 630001 for details of guardrail not shown.



FOR INFORMATION ONLY

DATE	REVISIONS
1-1-00	Removed "A" Plates.
10-1-98	Revised to wooden block-out.

All dimensions are in millimeters (Inches) unless otherwise shown.

TRAFFIC BARRIER TERMINAL TYPE 5 & 5A

Illinois Department of Transportation

PASSED January 1, 2000

ENGINEER OF POLICY AND PROCEDURES

APPROVED January 1, 2000

ENGINEER OF DESIGN AND ENVIRONMENT

ISSUED 1-1-97