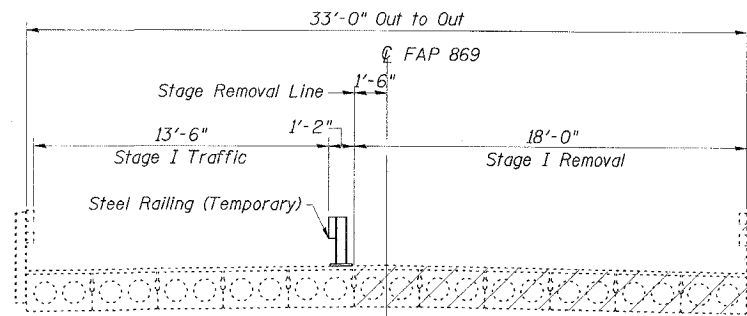
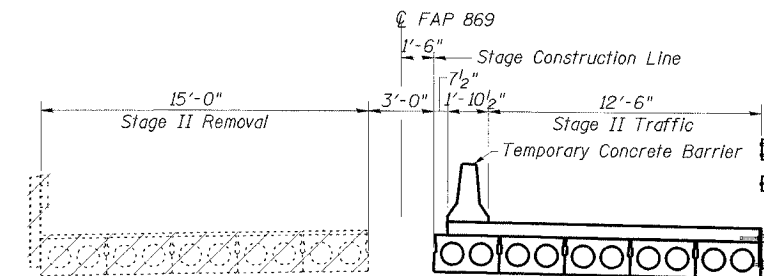


STATE OF ILLINOIS  
DEPARTMENT OF TRANSPORTATION

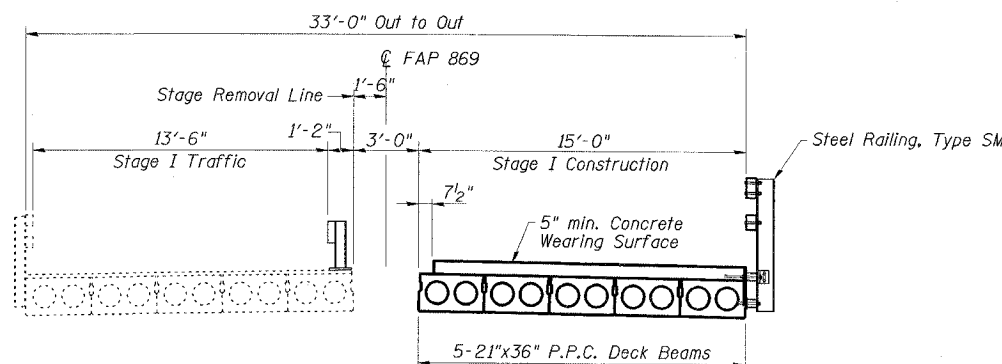
ROUTE NO.	SECTION	COUNTY	SHEETS	SHEET NO.	SHEET NO. 3 17 SHEETS
FAP 869	*	SALINE	44	14	
FED. ROAD DIST. NO.	ILLINOIS	FED. AID PROJECT			
98996			*(105A)BR-1		



STAGE I REMOVAL

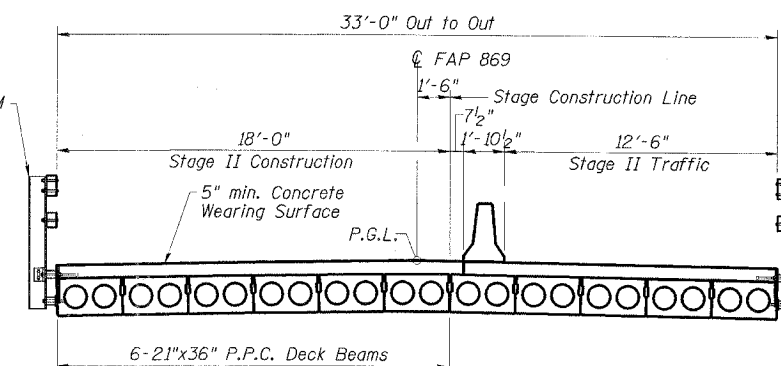


STAGE II REMOVAL



STAGE I CONSTRUCTION

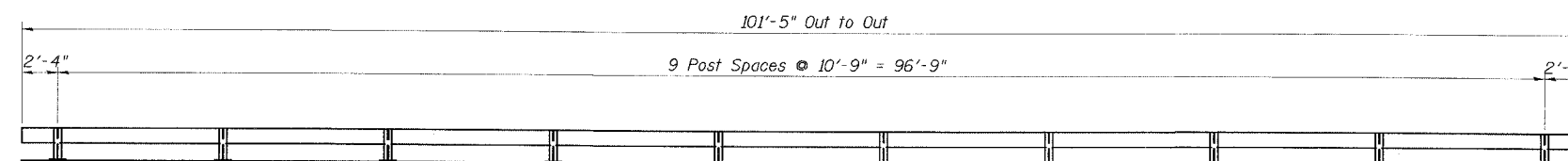
Steel Railing, Type SM



STAGE II CONSTRUCTION

STAGE CONSTRUCTION NOTES

1. All staging sections are looking South.
2. See Dwg. No. 6 of 17 for shear key clamping details.
3. For quantity of Temporary Concrete Barrier, see Roadway Plans.



STEEL RAILING (TEMPORARY) POST SPACING

<b>ESCA</b> CONSULTANTS, INC.		
DESIGNED BY:	RDP	02/07
DRAWN BY:	DWH	02/07
CHECKED BY:	JMS/MTD	02/07
APPROVED BY:	RDP	04/07

STAGE CONSTRUCTION DETAILS  
IL 34 OVER BANKSTON CREEK  
FAP ROUTE 869 - SECTION (105A)BR-1  
SALINE COUNTY  
STATION 1582+30.00  
STRUCTURE NO. 083-0040