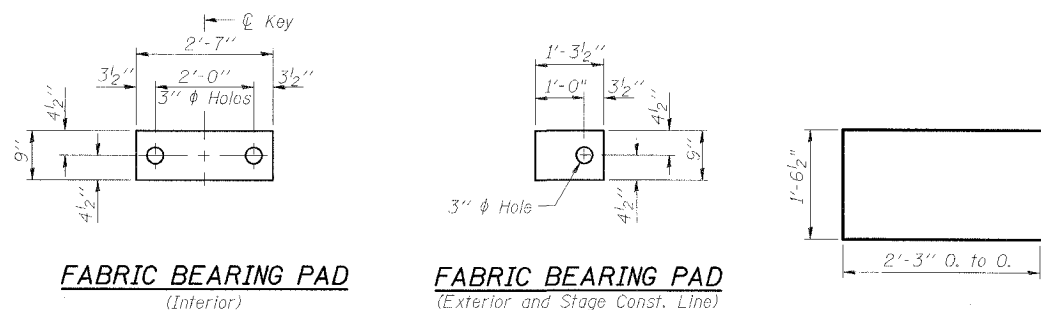
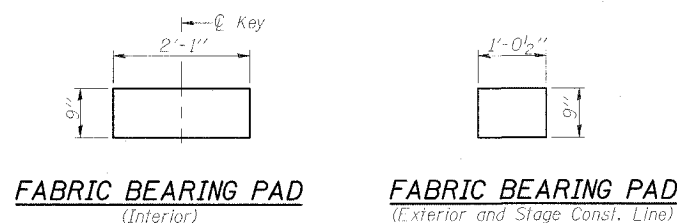


STATE OF ILLINOIS
DEPARTMENT OF TRANSPORTATION

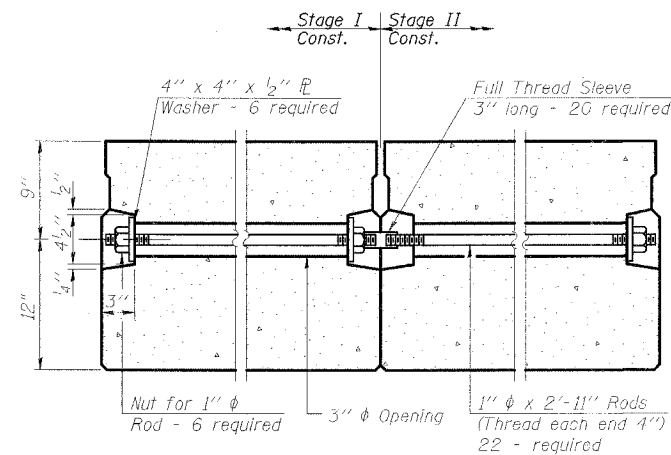
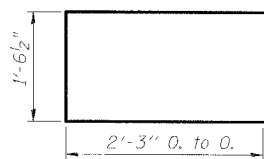
| | | | | | |
|---------------------|---------|----------|------------------|-----------|--------------------------|
| ROUTE NO. | SECTION | COUNTY | LENG. | SHEET NO. | SHEET NO. 7 17 SHEETS |
| FAP 869 | * | SALINE | 44 | 18 | |
| FED. ROAD DIST. NO. | | ILLINOIS | FED. AID PROJECT | | |
| 98996 | | | | | (105A)BR-1 |



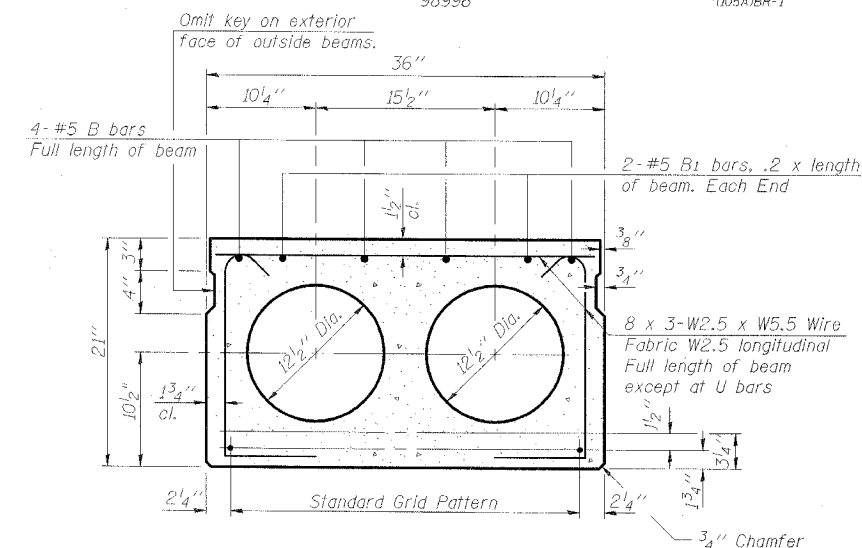
FIXED



EXPANSION



TYPICAL TRANSVERSE TIE ASSEMBLY



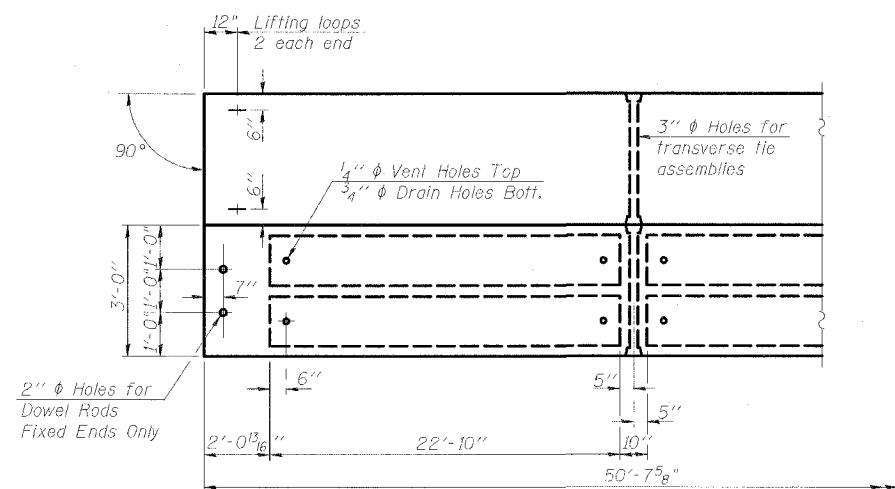
TYPICAL SECTION

14- 1/2" Strands, Each Strand Stressed to 30,900 Lbs.
8-Strands 1 3/4" up, 4-Strands 3/4" up, 2-Strands 9" up

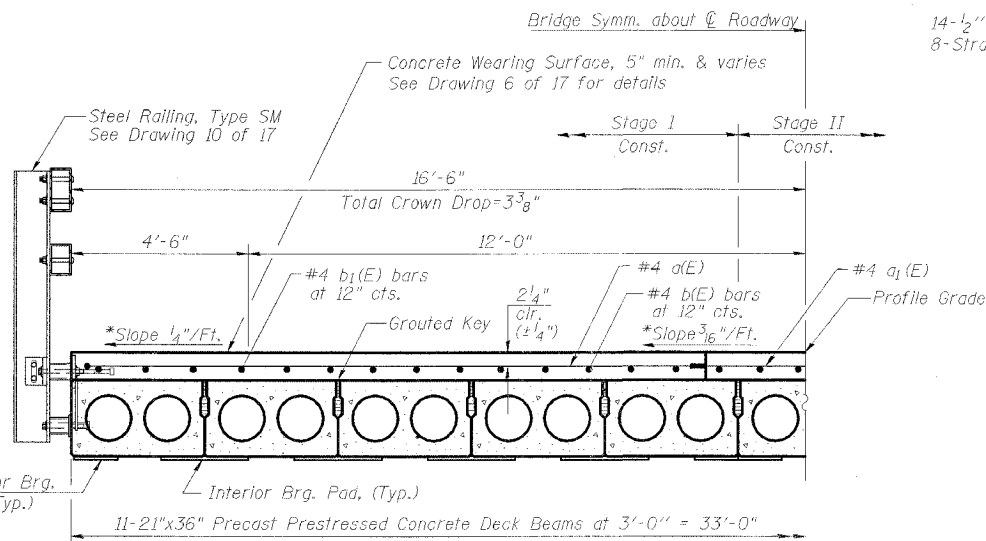
- Notes:
1. Place strands symmetrically about centerline of beam.
 2. See Dwg. 9 of 17 for add'l. details applicable to fascia beams.

BILL OF MATERIAL

| Precast Prestressed Conc. Deck Bms. (21") | Sq. Ft. | 3342 |
|---|---------|------|
| | | |



PLAN



HALF CROSS SECTION (Looking North)

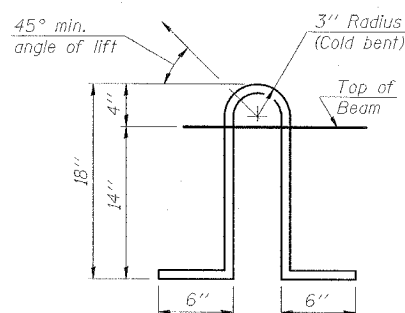
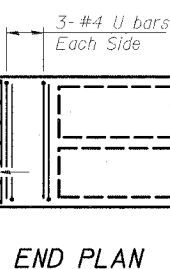
*Cross slopes shown are applicable to Concrete Wearing Surface.

NOTES

Prestressing steel shall be uncoated high strength, low relaxation 7-wire strand, Grade 270. The nominal diameter shall be 1/2" and the nominal cross-sectional area shall be 0.153 sq. in. Lifting loops shall be 2- 1/2" phi-270 ksi strands, as shown. The 1" phi rods in the transverse tie assembly shall be tightened to a snug fit and the threads set. Pockets that receive transverse tie bar on outside shall be filled with grout after transverse tie assembly is in place. Non prestressing steel shall conform to ASTM A 706 (IL MOD), Grade 60. The bearing seat surfaces shall be adjusted by shimming to assure firm and even bearing. Two 1/8" fabric adjusting shims of the dimensions of the Exterior Bearing Pad shall be provided for each bearing. Keyway surfaces shall be cleaned to remove form oil or other bond breaking material prior to shipment of the beams. Cleaning shall be done by sandblasting the keyway areas between top of the beam and the bottom edge of the key. Corrosion Inhibitor, per Article 1020.05(b)(12) of the Standard Specifications, shall be used in the concrete for precast prestressed concrete deck beams. Required Release Strength, f'ci, shall be 4000 p.s.i. See Dwg. No. 2 of 17 for location of rail anchors and additional notes.

ESCA CONSULTANTS, INC.

| | | |
|--------------|---------|-------|
| DESIGNED BY: | RDP | 02/07 |
| DRAWN BY: | DWH | 02/07 |
| CHECKED BY: | JMS/MTD | 02/07 |
| APPROVED BY: | RDP | 04/07 |



LIFTING LOOP DETAIL

SUPERSTRUCTURE DETAILS
IL 34 OVER BANKSTON CREEK
FAP ROUTE 869 - SECTION (105A)BR-1
SALINE COUNTY
STATION 1582+30.00
STRUCTURE NO. 083-0040