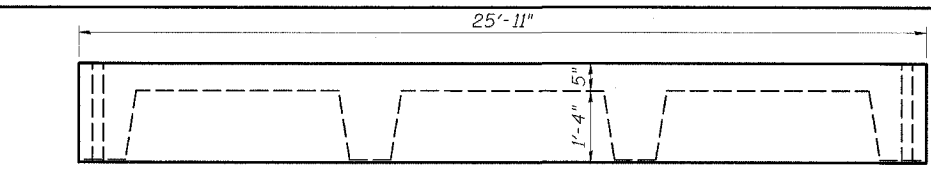


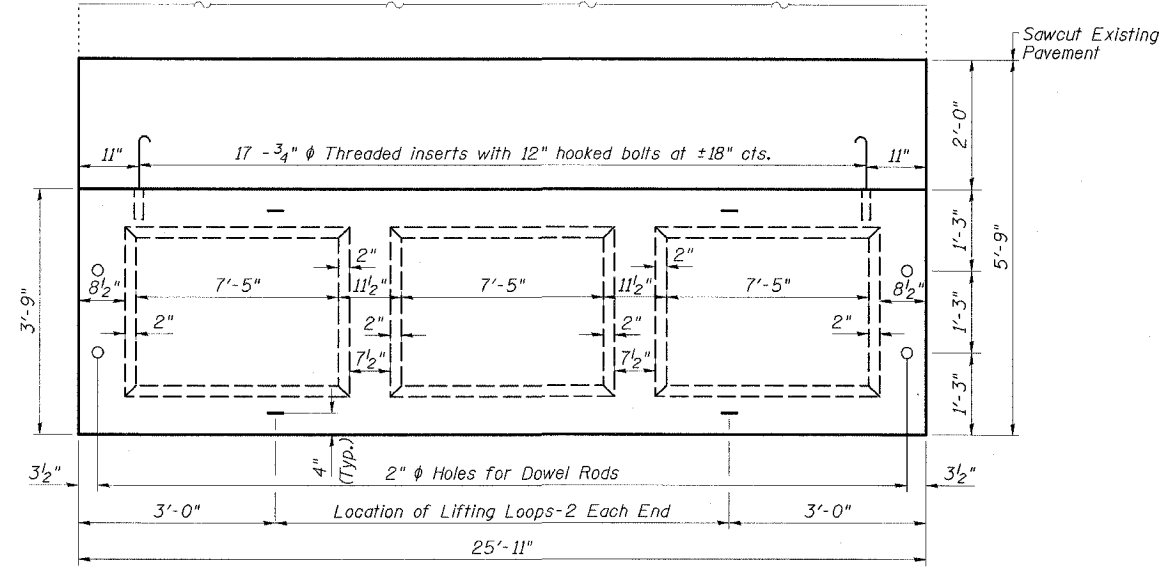
STATE OF ILLINOIS  
DEPARTMENT OF TRANSPORTATION

ROUTE NO.	SECTION	COUNTY	TOTAL SHEETS	SHEET NO.
FAP 869	*	SALINE	44	19
FED. ROAD DIST. NO.	ILLINOIS	FED. AID PROJECT-		
98996				(105A)BR-1

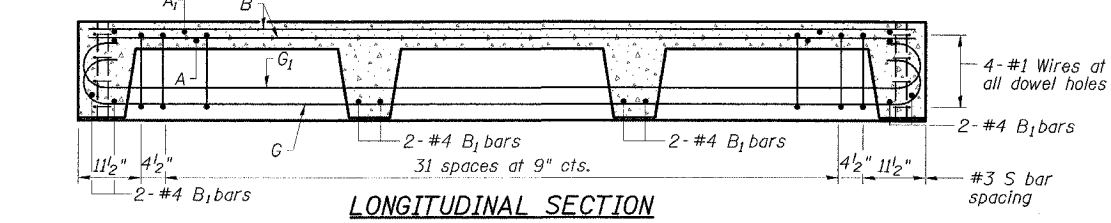
SHEET NO. 8  
17 SHEETS



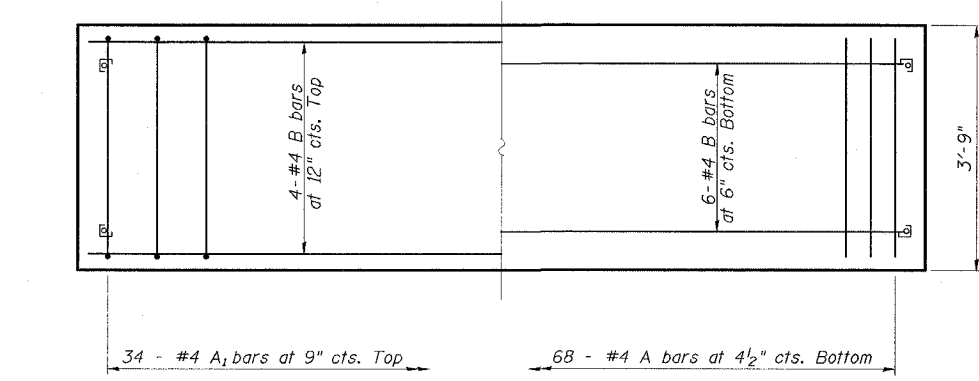
ELEVATION



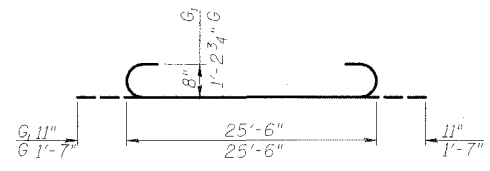
PARTIAL PLAN OF APPROACH



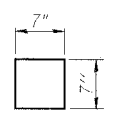
LONGITUDINAL SECTION



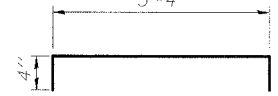
SLAB REINFORCEMENT



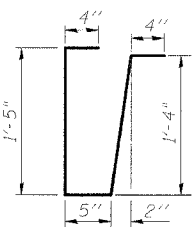
BARS G & G1



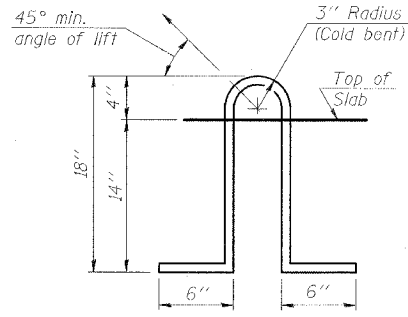
FABRIC BEARING PAD



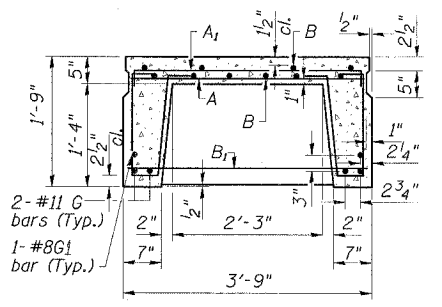
BAR A1



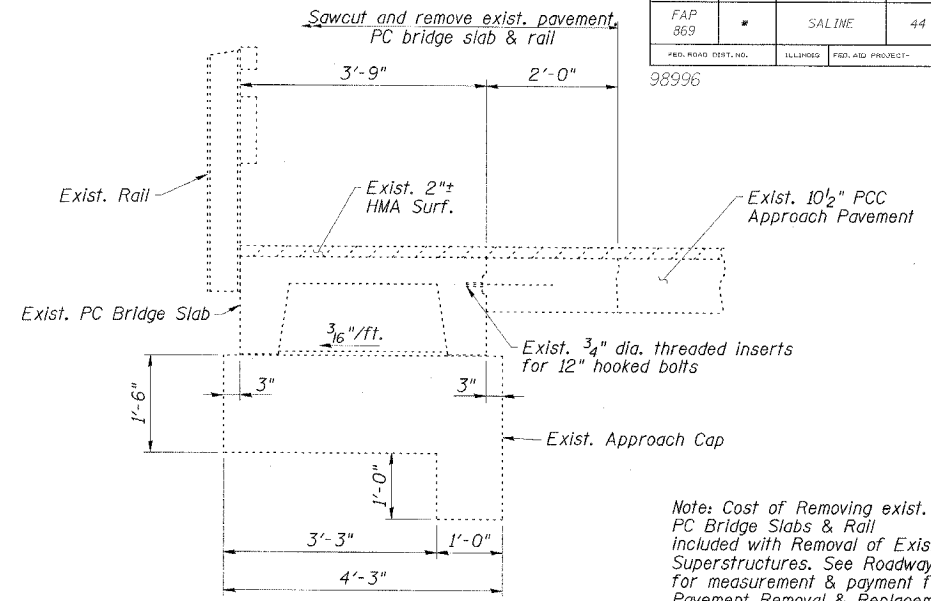
BAR S



LIFTING LOOP DETAIL

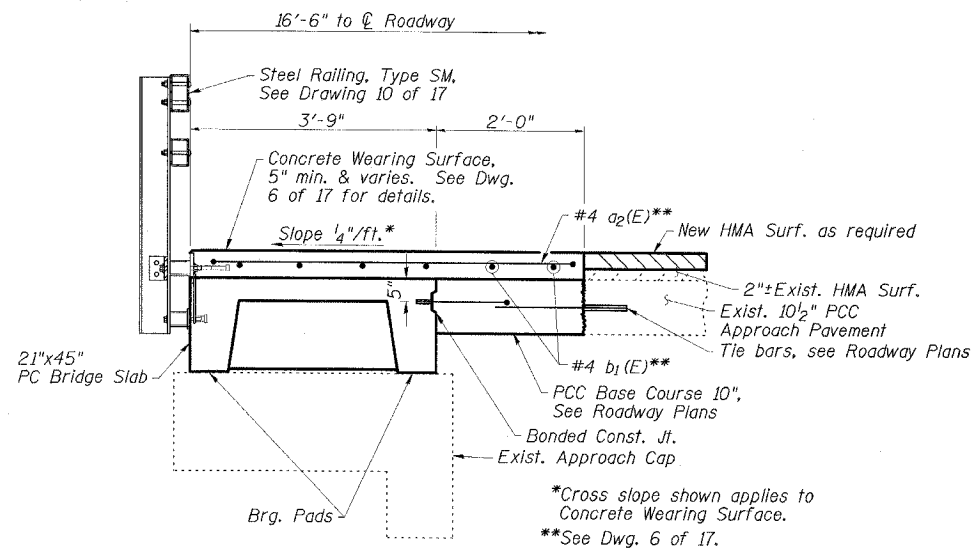


SECTION THRU PRECAST UNIT



EXISTING CROSS SECTION

Note: Cost of Removing exist. PC Bridge Slabs & Rail included with Removal of Exist. Superstructures. See Roadway Plans for measurement & payment for Pavement Removal & Replacement.



PROPOSED CROSS SECTION

BILL OF MATERIAL

Precast Concrete Bridge Slab	Sq. Ft.	389
------------------------------	---------	-----

NOTES

Lifting loops shall be 2-1/2" phi-270 ksi strands, as shown.  
Reinforcing steel shall conform to ASTM A 706 (IL MOD), Grade 60.  
The bearing seat surfaces shall be adjusted by shimming to assure firm and even bearing. Two 1/8" fabric adjusting shims of the dimensions of the Bearing Pad shall be provided for each bearing.  
Keyway surfaces shall be cleaned to remove form oil or other bond breaking material prior to shipment of the slabs. Cleaning shall be done by sandblasting the keyway areas between top of the slab and the bottom edge of the key.  
Corrosion Inhibitor, per Article 1020.05(b)(12) of the Standard Specifications, shall be used in the concrete for precast concrete bridge slabs.  
Required Strength, f'c, shall be 4500 p.s.i.  
See Dwg. No. 2 of 17 for location of rail anchors and additional notes.  
Cost of reinforcement and accessories cast into the slab unit, bearing pads, furnishing, drilling for, placing and grouting anchor rods and 3/4" phi hooked bolts is included in contract Unit Price for "Precast Concrete Bridge Slab."  
The Precast Concrete Bridge Slab shall be erected and aligned with the exterior face of the exterior Deck Beam after Deck Beams are in final position.

**ESCA**  
CONSULTANTS, INC.

DESIGNED BY:	RDP	02/07
DRAWN BY:	DWH	02/07
CHECKED BY:	JMS/MTD	02/07
APPROVED BY:	RDP	04/07

APPROACH DETAILS  
IL 34 OVER BANKSTON CREEK  
FAP ROUTE 869 - SECTION (105A)BR-1  
SALINE COUNTY  
STATION 1582+30.00  
STRUCTURE NO. 083-0040