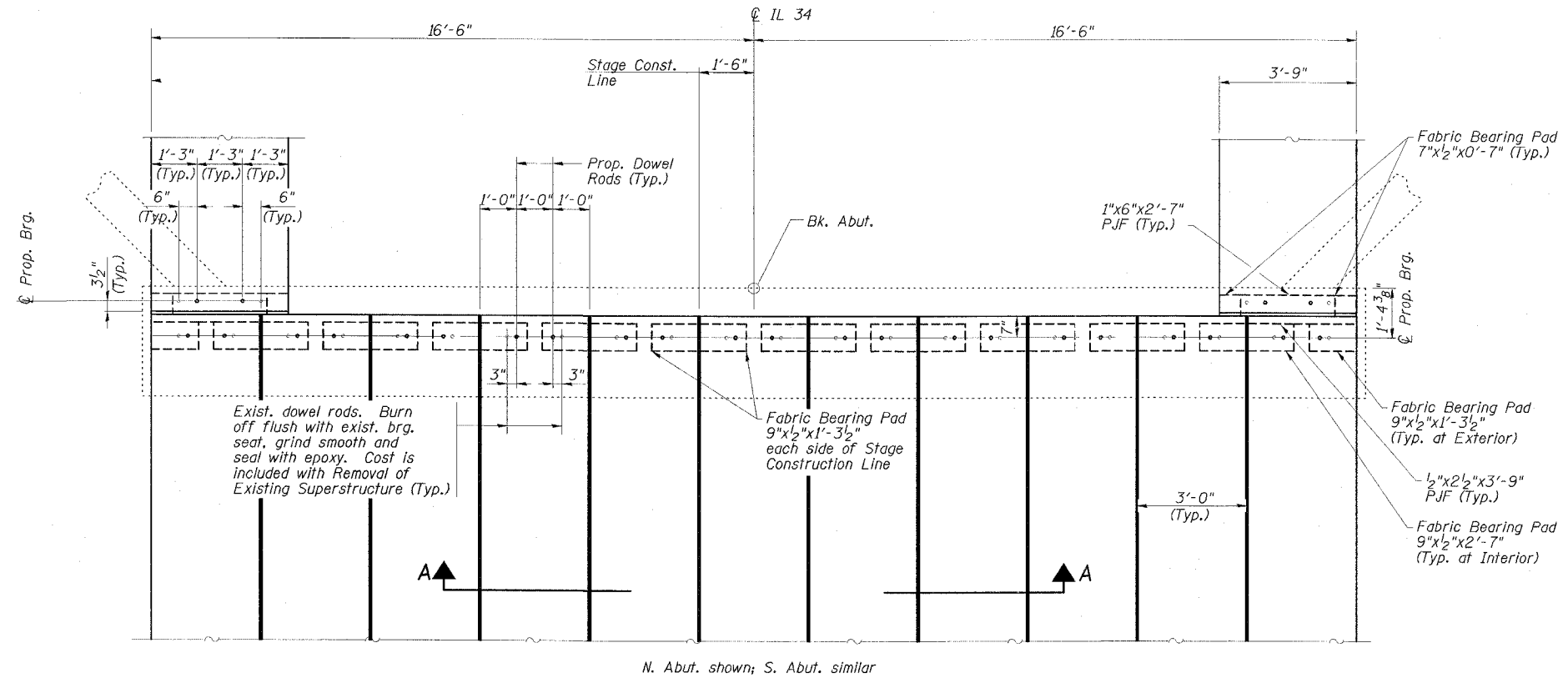
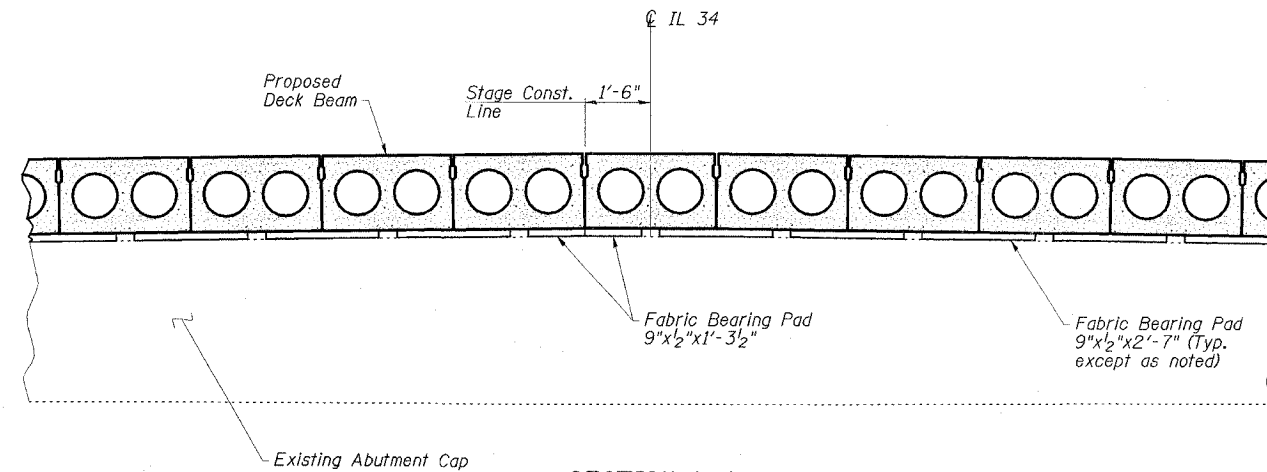


STATE OF ILLINOIS  
DEPARTMENT OF TRANSPORTATION

ROUTE NO.	SECTION	COUNTY	POST MILE	SHEET NO.	SHEET NO. 14 17 SHEETS
FAP 869	*	SALINE	44	25	
FED. ROAD DIST. NO.		ILLINOIS	FED. AID PROJECT-		
98996			*(105A)BR-1		



**ABUTMENT BEARING SEAT PLAN**  
(Concrete wearing surface and approach pavement not shown)



**SECTION A-A**  
(Concrete wearing surface not shown)

**ABUTMENT DETAILS**  
IL 34 OVER BANKSTON CREEK  
FAP ROUTE 869 - SECTION (105A)BR-1  
SALINE COUNTY  
STATION 1582+30.00  
STRUCTURE NO. 083-0040

**ESCA**  
CONSULTANTS, INC.

DESIGNED BY:	RDP	02/07
DRAWN BY:	DWH	02/07
CHECKED BY:	JMS/MTD	02/07
APPROVED BY:	RDP	04/07