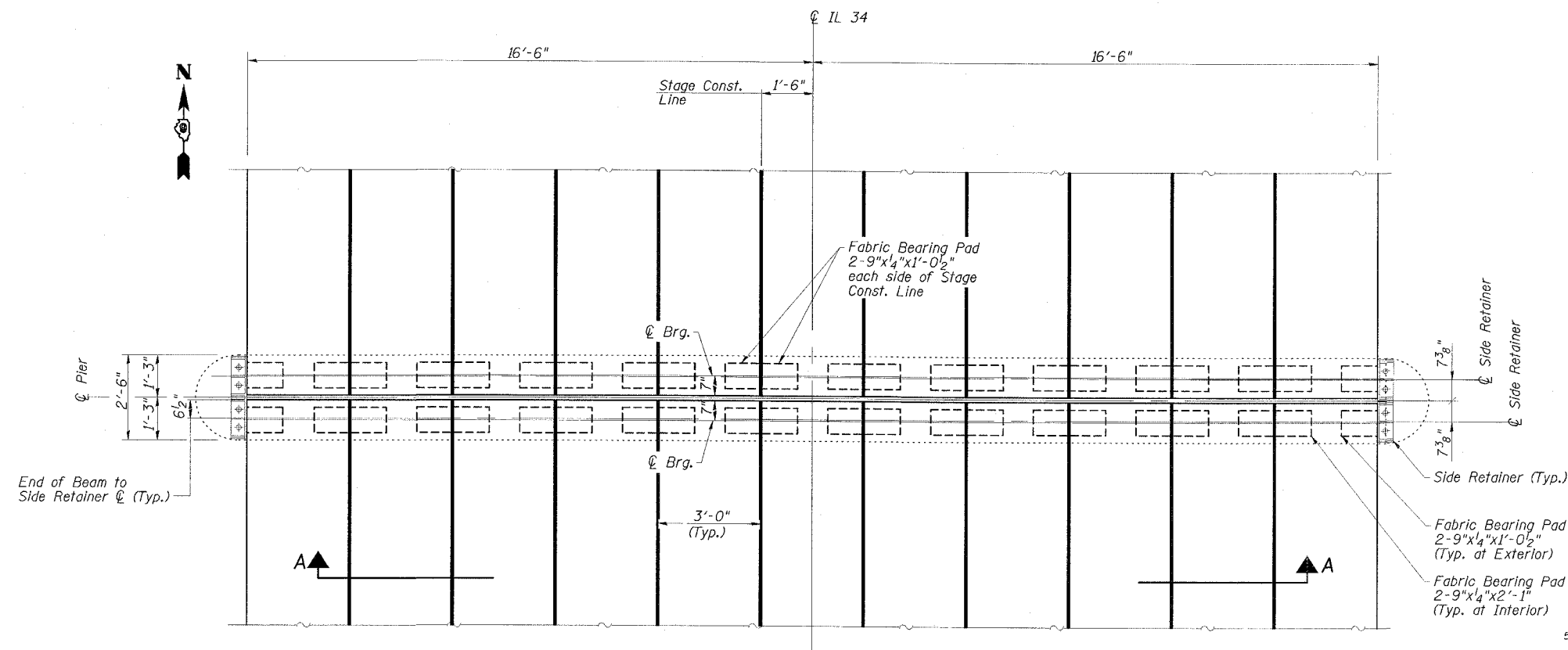


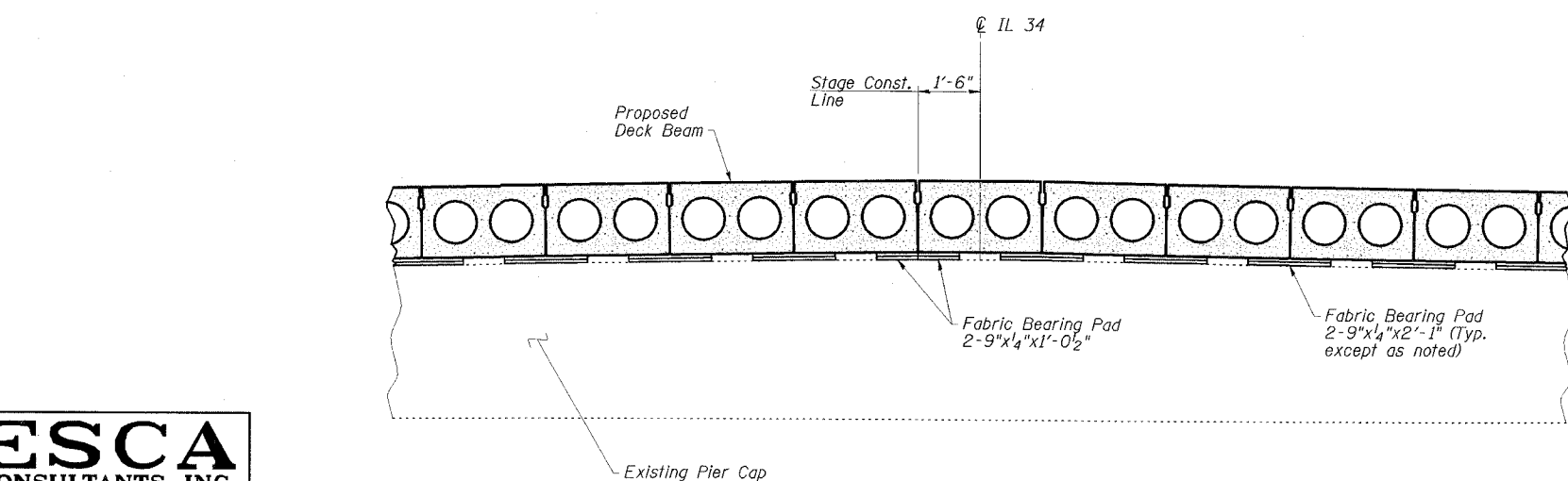
STATE OF ILLINOIS
DEPARTMENT OF TRANSPORTATION

ROUTE NO.	SECTION	COUNTY	SHEET NO.	SHEET
FAP 869	*	SALINE	44	27
FED. ROAD DIST. NO.		ILLINOIS	FED. AID PROJ. NO.	
98996			(105A)BR-1	

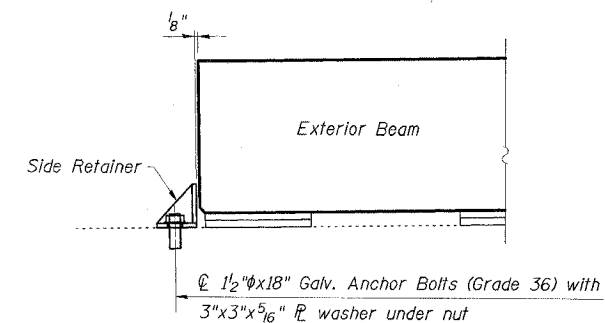
SHEET NO. 16
17 SHEETS



PIER BEARING SEAT PLAN
(Concrete wearing surface and expansion joint not shown)



SECTION A-A
(Concrete wearing surface not shown)



EXTERIOR BEAM RETAINER DETAILS

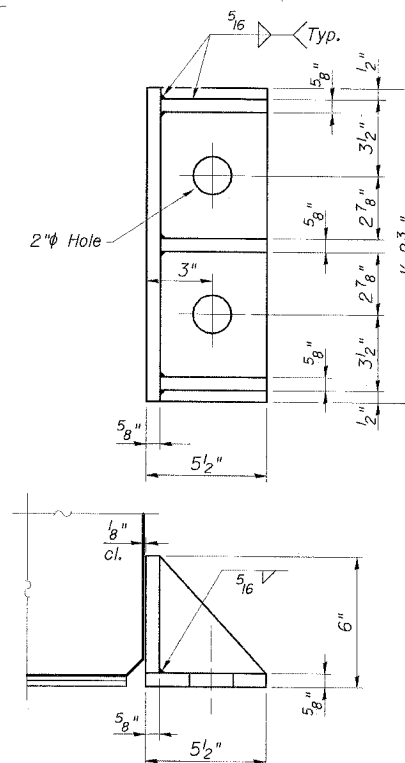
(4 Required)
Cost of Retainer Angles, Anchor Bolts & accessories are included with Precast Prestressed Concrete Deck Beams.

Fill 1/8" gap with shim P to provide temporary lateral support until shear keys have been grouted and concrete wearing surface has been placed.

Anchor bolts shall be ASTM F1554 all-thread (or an Engineer-approved alternate material) of the grade(s) and diameter(s) specified. ASTM A307 Grade C anchor bolts may be used in lieu of ASTM F1554 Grade 36 (Fy=36ksi). The corresponding specified grade of AASHTO M314 anchor bolts may be used in lieu of ASTM F1554.

Anchor bolts for side retainers may be cast in place or installed in holes drilled before or after members are in place.

Drilled and set anchor bolts shall be installed according to Article 521.06 of the Standard Specifications.



SIDE RETAINER

Equivalent rolled angle with stiffeners will be allowed in lieu of welded plates.

PIER DETAILS
IL 34 OVER BANKSTON CREEK
FAP ROUTE 869 - SECTION (105A)BR-1
SALINE COUNTY
STATION 1582+30.00
STRUCTURE NO. 083-0040

ESCA
CONSULTANTS, INC.

DESIGNED BY:	RDP	02/07
DRAWN BY:	DWH	02/07
CHECKED BY:	JMS/MTD	02/07
APPROVED BY:	RDP	04/07