

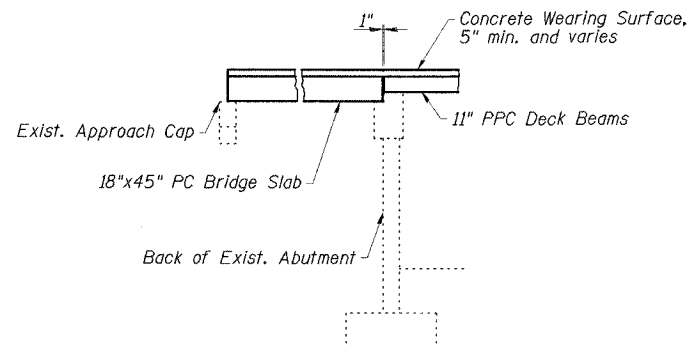
STATE OF ILLINOIS
DEPARTMENT OF TRANSPORTATION

ROUTE NO.	SECTION	COUNTY	DATE	SHEET	SHEET NO. 2 17 SHEETS
FAP 328	*	WHITE	42	13	
FED. ROAD DIST. NO.	ILLINOIS	FED. AID PROJECT	98997		

GENERAL NOTES

1. Reinforcement bars shall conform to the requirements of ASTM A706 Gr 60 (IL Modified). See Special Provisions.
2. Plan dimensions and details relative to existing plans are subject to routine variations. The Contractor shall field verify existing dimensions and details affecting new construction and make necessary approved adjustments prior to construction or ordering of materials. Such variations shall not be cause for additional compensation for a change in scope of the work, however, the Contractor will be paid for the quantity actually furnished based upon the unit price bid for the work.
3. All construction joints shall be bonded.
4. Concrete Sealer shall be applied to abutment bearing seats where formed concrete repairs are performed.
5. All new structural steel shall be shop painted with an inorganic zinc rich primer per AASHTO M300 Type 1 unless noted otherwise.
6. No work will be allowed in the stream.
7. The Contractor is advised that the existing PPC Deck Beams are in a deteriorated condition with reduced load carrying capacity. It is the Contractor's responsibility to account for the condition of the beams when developing construction procedures for removal and replacement of the superstructure.
8. If the Contractor's procedure for existing beam removal or placement of new beams involves placement of cranes or other heavy equipment on new beams, a detailed procedure shall be submitted to the Engineer for approval. The procedure shall include calculations, prepared and sealed by an Illinois Licensed Structural Engineer, verifying that the equipment and procedure used will not overstress the new beams. To distribute load to multiple beams and protect the concrete, in all cases a double layer mat of heavy timbers shall be used at all times under the crane tracks or wheels and any outriggers in the down position. If necessary, shims shall be used under the crane mat to ensure uniform contact with the underlying beams. Prior to placement of the timber mats the following shall be done: placement and tightening of transverse tie assemblies, grouting and curing the dowel rods 24 hours minimum and grouting and curing the shear keys. A temporary means of lateral restraint will be required for fascia beams at expansion ends of beams to prevent movement of the beams. This work shall be considered included in the cost of Precast Prestressed Concrete Deck Beams.

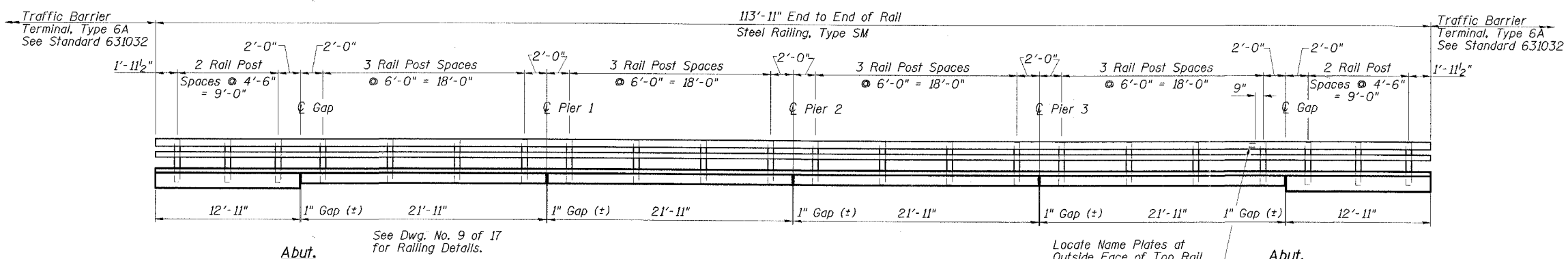
9. The cut strands at each beam end shall be given two coats of zinc dust spray or paint meeting the requirements of ASTM A780. The zinc dust spray or paint shall be applied before corrosion appears and allowed to dry according to the manufacturer's specifications prior to another coat of zinc. A concrete sealer meeting the requirements of Section 587 of the Standard Specifications shall be applied to the exterior face and 9" in on the underside of the fascia beams. The sealer shall be applied after visible crack growth has subsided. This work shall be performed by the producer and included with the cost of the beam.
10. The minimum thickness of the concrete overlay shall be 5" and varies as required to adjust for the new profile grade and beam camber.
11. Repair of the substructure shall be completed prior to placement of the new deck beams.
12. Stage Construction of Precast Prestressed Concrete Deck Beams shall be according to Article 504.06(d) of the Standard Specifications.



**SECTION THRU ABUTMENTS
@ OUTSIDE BEAM**

TOTAL BILL OF MATERIAL

ITEM	UNIT	SUPER	SUB	TOTAL
Removal of Existing Superstructures	Each	1	-	1
Bridge Deck Grooving	Sq. Yd.	383	-	383
Protective Coat	Sq. Yd.	383	-	383
Precast Concrete Bridge Slab	Sq. Ft.	194	-	194
Precast Prestressed Concrete Deck Beams (11" Depth)	Sq. Ft.	3039	-	3039
Reinforcement Bars, Epoxy Coated	Pound	4740	-	4740
Bar Splicers	Each	92	-	92
Steel Railing, Type SM	Foot	228	-	228
Steel Railing (Temporary)	Foot	176	-	176
Name Plates	Each	1	-	1
Concrete Sealer	Sq. Ft.	-	80	80
Epoxy Crack Injection	Foot	-	114	114
Structural Repair of Concrete (Depth Equal to or Less Than 5")	Sq. Ft.	-	231	231
Concrete Wearing Surface, 5"	Sq. Yd.	383	-	383



STEEL RAILING, TYPE SM ELEVATION
(Showing Inside Face of East Railing;
West Railing Similar)

GENERAL DATA
US 45 OVER SKILLET FORK OVERFLOW
FAP ROUTE 328 - SECTION (105X)BR
WHITE COUNTY
STATION 598+76.00
STRUCTURE NO. 097-0019

ESCA
CONSULTANTS, INC.

DESIGNED BY:	RDP	01/07
DRAWN BY:	DWH	01/07
CHECKED BY:	JMS/MTD	01/07
APPROVED BY:	RDP	04/07