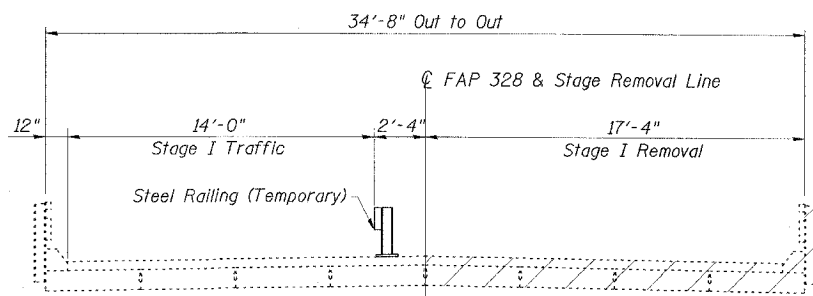
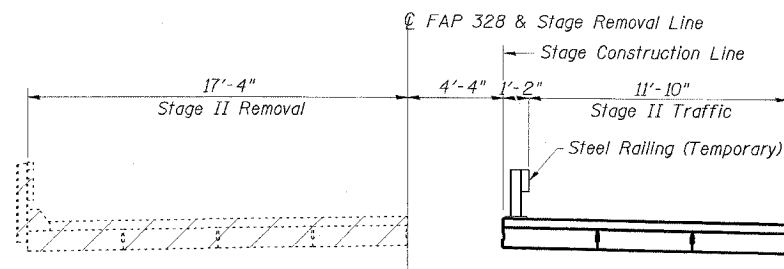


STATE OF ILLINOIS
DEPARTMENT OF TRANSPORTATION

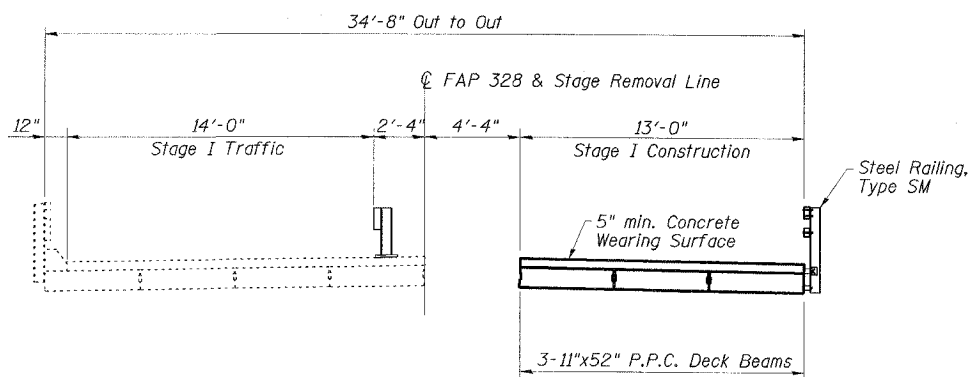
ROUTE NO.	SECTION	COUNTY	TOTAL SHEETS	SHEET NO.	SHEET NO. 3 17 SHEETS
FAP 328	*	WHITE	42	14	
FED. ROAD DIST. NO.		ILLINOIS	FED. AID PROJECT-		
98997					(105X)BR



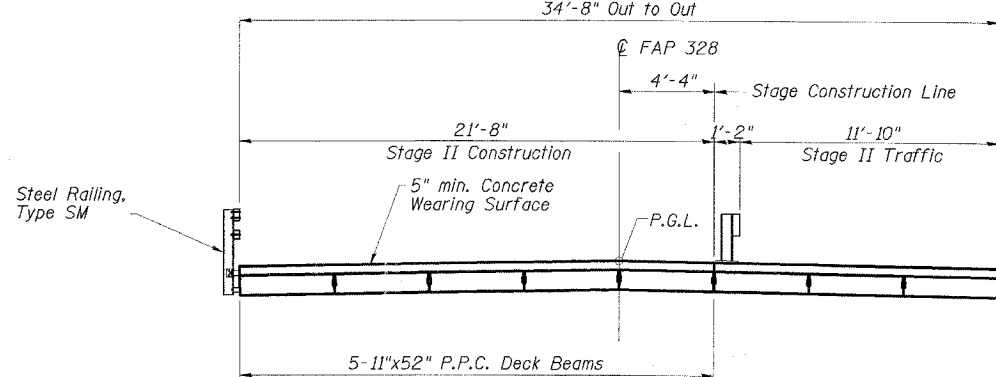
STAGE I REMOVAL



STAGE II REMOVAL



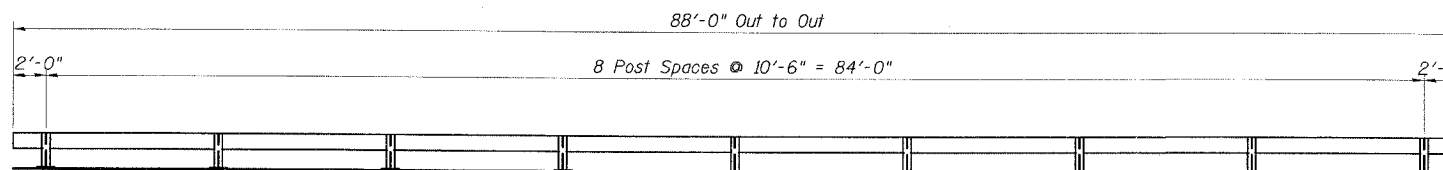
STAGE I CONSTRUCTION



STAGE II CONSTRUCTION

STAGE CONSTRUCTION NOTES

1. All staging sections are looking South.
2. See Dwg. No. 5 of 17 for shear key clamping details.



STEEL RAILING (TEMPORARY) POST SPACING

ESCA CONSULTANTS, INC.		
DESIGNED BY:	RDP	01/07
DRAWN BY:	DWH	01/07
CHECKED BY:	JMS/MTD	01/07
APPROVED BY:	RDP	04/07

STAGE CONSTRUCTION DETAILS
US 45 OVER SKILLET FORK OVERFLOW
FAP ROUTE 328 - SECTION (105X)BR
WHITE COUNTY
STATION 598+76.00
STRUCTURE NO. 097-0019