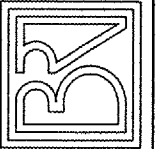


ROUTE	SECTION	COUNTY	TOTAL SHEETS	SHEET NO.
	06-00054-00-SW	FRANKLIN	9	3
WEST FRANKFORT		MAIN STREET		

CONTRACT NO. 99302  
PROJECT NO. TE-00D9(93)

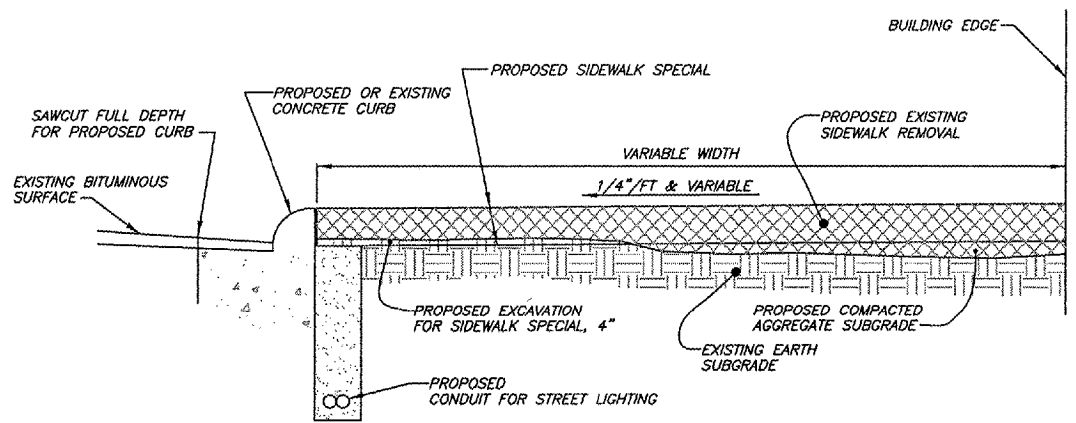
**BROWN AND ROBERTS, INC.**  
CONSULTING ENGINEERS & LAND SURVEYORS  
1 WEST RIDGE ROAD HARRISBURG, IL 62946 (618) 252-8111



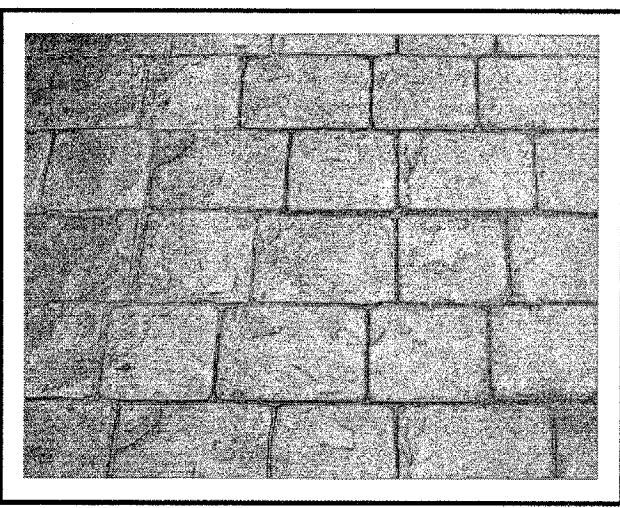
CITY OF WEST FRANKFORT  
STREETSCAPE IMPROVEMENTS  
TYPICAL DETAILS

Drawn By:	Checked By:
ECB	MWR
Revisions	
Item	Date By
Scale:	Field Bk:
AS SHOWN	
Job Number:	Date:
05-136	03/2007
Sheet	

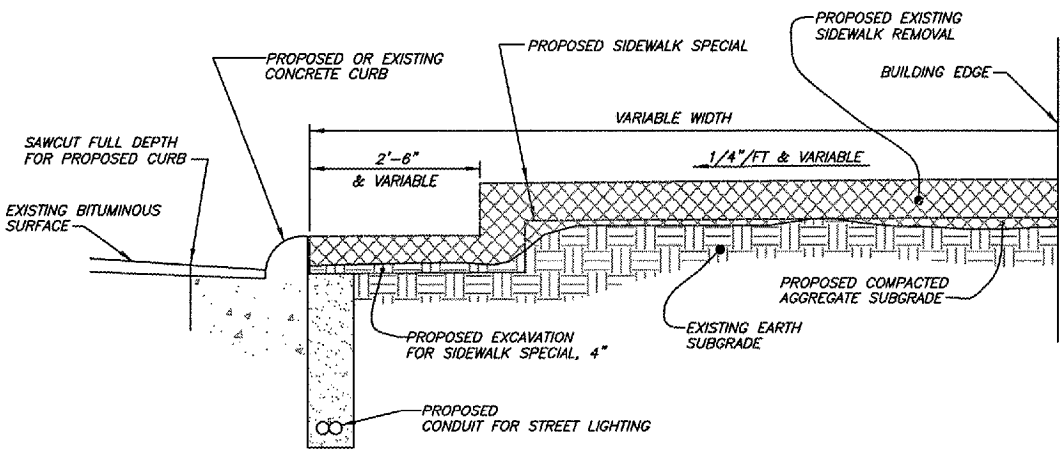
3  
of 9



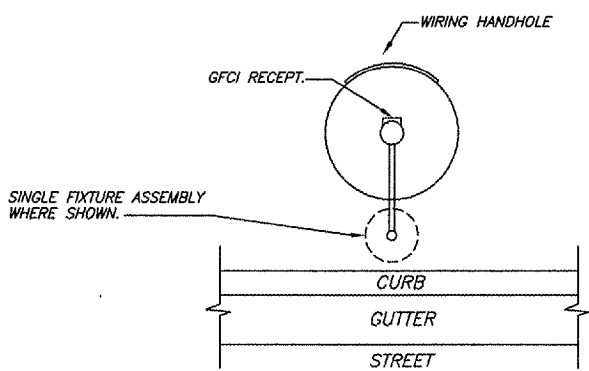
**TYPICAL SECTION**  
NO SCALE



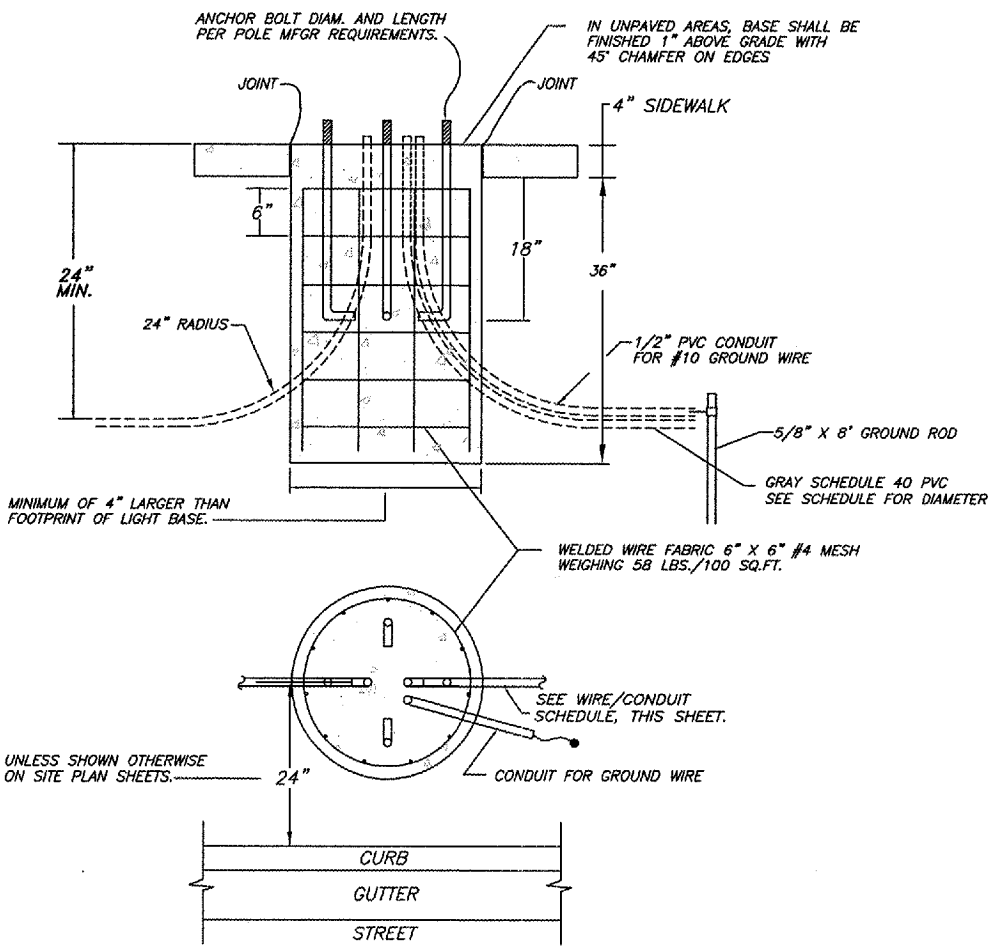
**TYPICAL PATTERN**  
**PROPOSED SIDEWALK SPECIAL**  
NO SCALE



**TYPICAL SECTION**  
STATION 3+78 RT TO 4+27 RT  
STATION 4+91 LT TO 7+14 LT  
STATION 4+96 RT TO 6+41 LT  
STATION 6+71 RT TO 8+32 RT  
NO SCALE



**FIXTURE AND ACCESSORY ORIENTATION**  
NO SCALE



**LIGHT POLE FOUNDATION**  
NO SCALE

31 May 2007 - 8:34am X:\2005\05136\loc\plans\quantity and detail sheets.dwg: Layout Tab 'Model'