



HANSON PROFESSIONAL SERVICES INC.

815 Commerce Drive, Suite 200
Oak Brook, Illinois 60523
Telephone: 630.990.3800
Fax: 630.990.3801

Illinois Professional Design Firm
Registration No. 184-001084

© Copyright Hanson Professional Service Inc. 2007

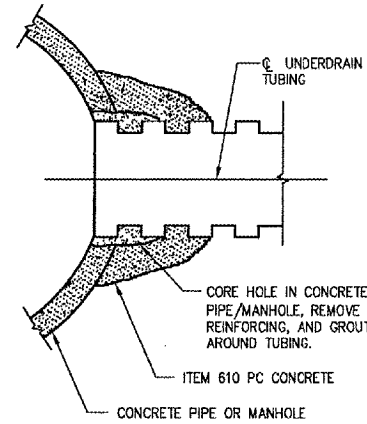


JOLIET REGIONAL PORT DISTRICT

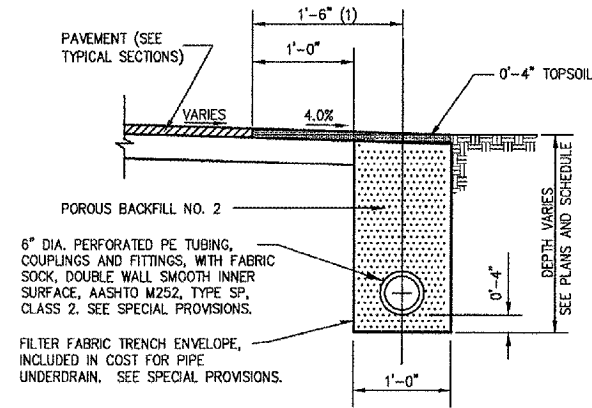
1 George Michas Drive
Romeoville, Illinois 60446
Telephone: 815.838.9497
Fax: 815.838.9524

REMOVE AND REPLACE PORTIONS
OF RUNWAY 9-27 AND TAXIWAY C

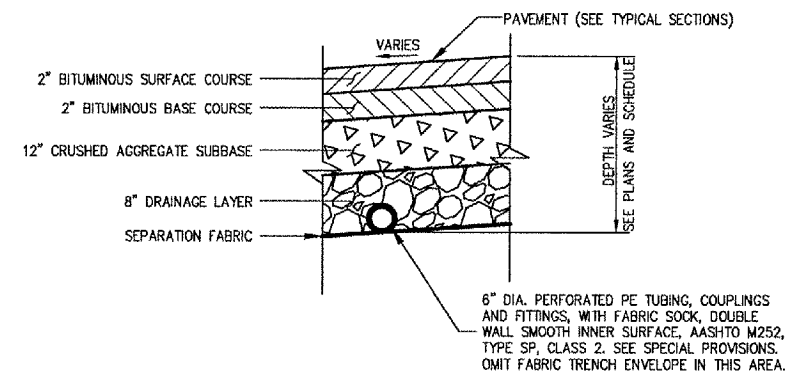
AIP PROJECT NO. 3-17-0140-B41
IDA PROJECT NO. LOT-3709



STORM SEWER CONCRETE COLLAR AND GROUT CONNECTION



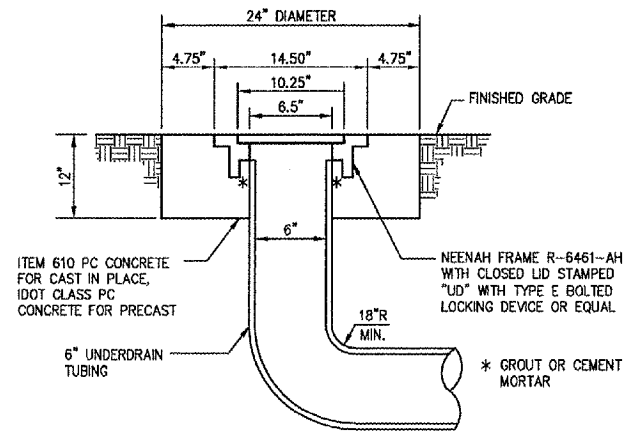
UNDERDRAIN ALONG PAVEMENT EDGE



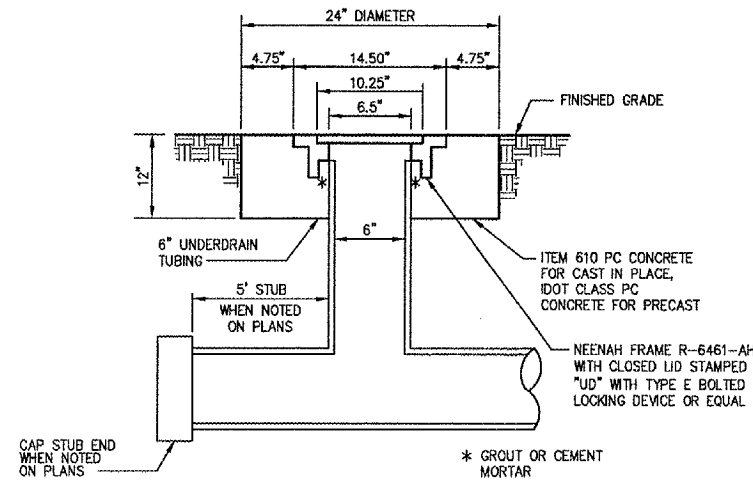
NOTES

- 1. UNDERDRAIN TO BE INSTALLED WITHIN THE 8" DRAINAGE LAYER IN ACCORDANCE WITH THE SCHEDULE.
- 2. ANY SEPARATION FABRIC DAMAGED DURING THE INSTALLATION OF THE UNDERDRAIN TO BE EXCAVATED AND REPLACED.

UNDERDRAIN UNDER PAVEMENT



UNDERDRAIN CLEANOUT



UNDERDRAIN INSPECTION HOLE

No.	Drawing Issue Description	Date	By

Date: JUNE 18, 2007

Sheet Title: UNDERDRAIN DETAILS

840-07B8053

Project Number	840-07B8053
LDH	06/05/07
Layout By	Date
LDH	06/05/07
Designed By	Date
RMH	06/18/07
Reviewed By	Date
LDH	---
Drawn By	---
Sheet No.	23

DETAILS SHOWN ARE NOT TO SCALE