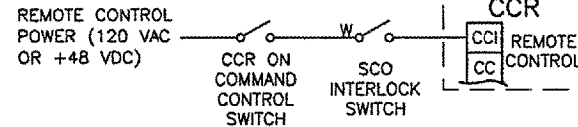
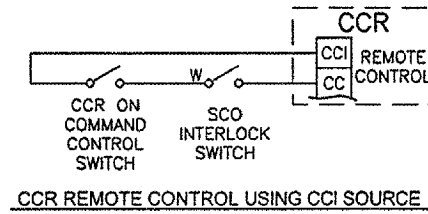


CONTROL WIRING SCHEMATIC
 N.T.S.

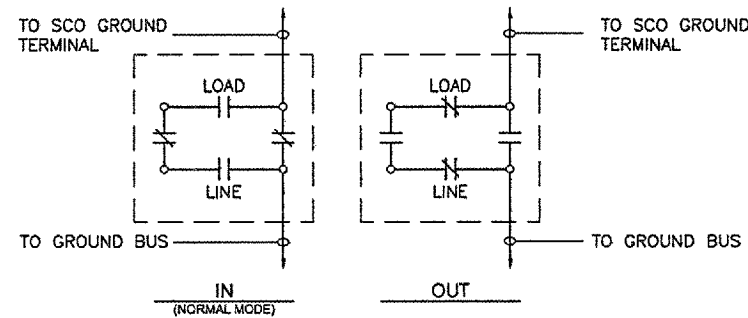
NOTES

- PHOTOCELL (PC) AT TRANSCLOSURE SUPPLIED WITH TIME CLOCK.
- TIME CLOCK TO BE GRASSLIN, MODEL PC2-DIGI 30, TWO CHANNEL PHOTO ELECTRIC/TIME SWITCH, OR EQUIVALENT. TIME CLOCK TO OPERATE AT 120VAC.
- CONTROL RELAYS (CR1 & CR2) TO BE HEAVY DUTY, 10A, 4PDT, P&B #KUP-17A19-120, OR EQUIVALENT WITH SOCKET.
- PHOTOCELL BYPASS SWITCH TO BE SQUARE D #SKS43BH2, OR EQUIVALENT, WITH PADLOCK ATTACHMENT IN NEMA 1 ENCLOSURE.
- ALL CONTROL WIRING TO BE #12 THWN UNLESS OTHERWISE NOTED.
- RWY 03/21 REGULATOR, USE TERMINALS: 3,4,5
 ALL OTHER REGULATORS, USE TERMINALS: 10,30,100

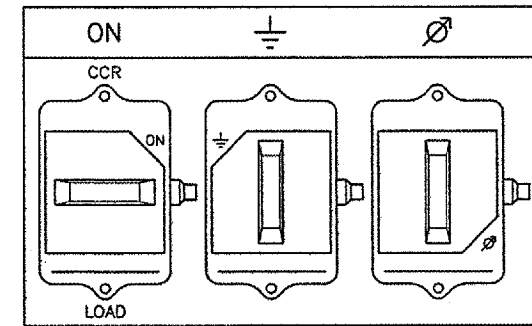


CCR REMOTE CONTROL USING EXTERNAL POWER SOURCE

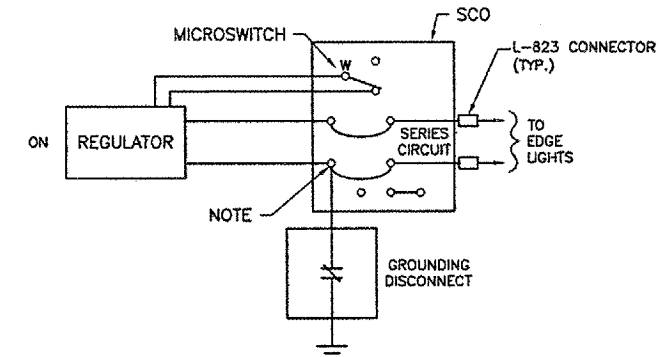
METHODS TO CONNECT SCO INTERLOCK SWITCH



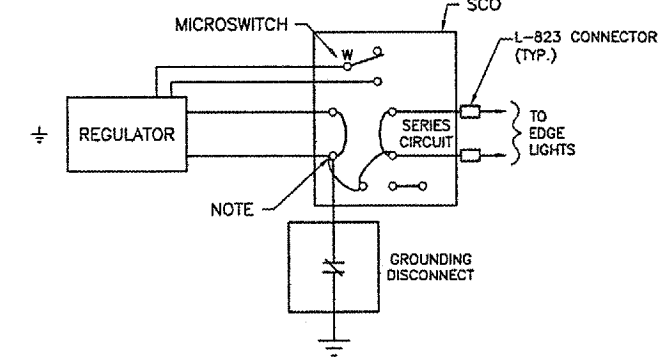
GROUNDING DISCONNECT CONFIGURATIONS



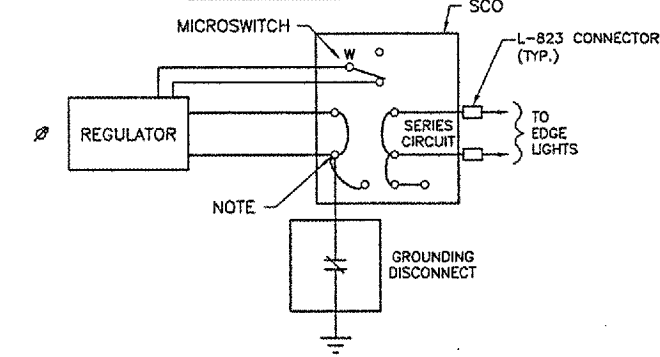
SERIES CUTOFF (SCO) CONFIGURATIONS



OPERATION

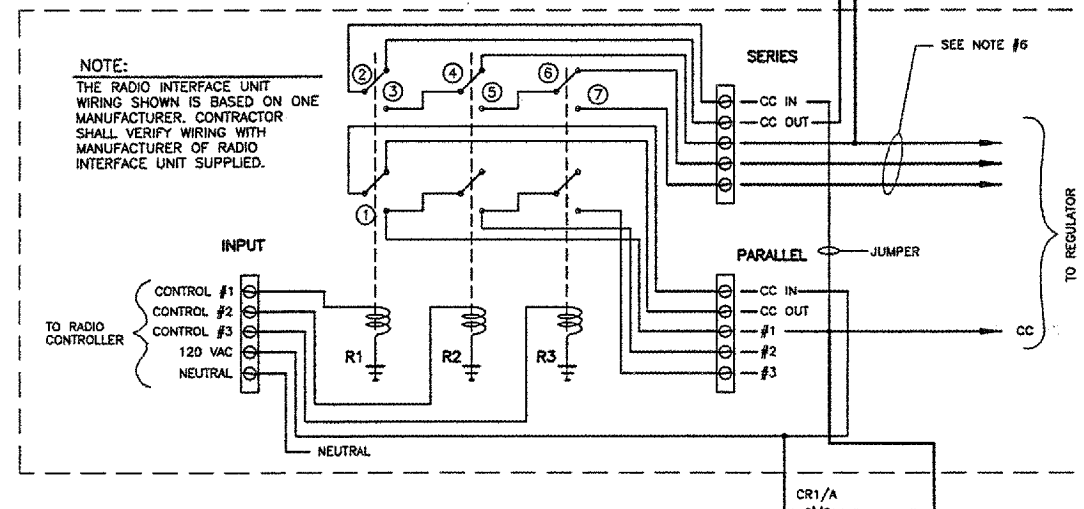


MAINTENANCE



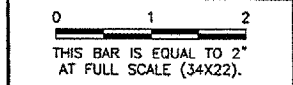
TEST & MEASURE

SCO WORKING DIAGRAMS



RADIO INTERFACE UNIT WIRING (TYP. OF 5)
 N.T.S.

REVISIONS		
NUMBER	BY	DATE



VERMILION COUNTY AIRPORT
 DANVILLE, ILLINOIS
 RELOCATE AIRFIELD ELECTRICAL VAULT
 REGULATOR WIRING DETAILS

© Copyright CMT, Inc.

CMT
 CRAWFORD, MURPHY & TILLY, INC.
 CONSULTING ENGINEERS
 License No. 164-000613

DESIGN BY:	WDP
DRAWN BY:	DLB
CHECKED BY:	
APPROVED BY:	
DATE:	06-22-2007
JOB No:	0704202
ILLINOIS PROJECT DNV-3684 A.I.P. PROJECT 3-17-0032-B11	
SHEET 10 OF 16 SHEETS	