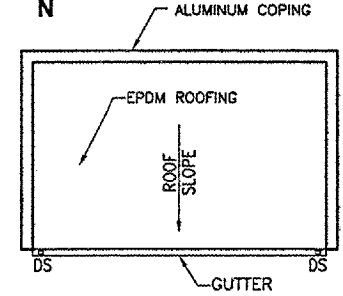
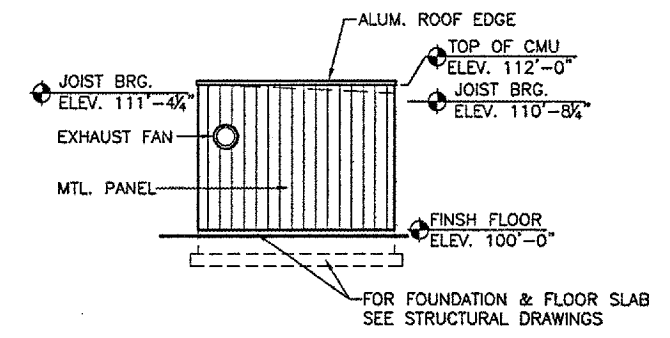


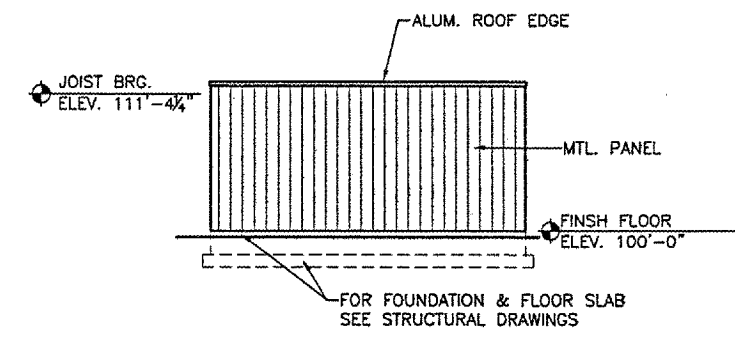
1 FLOOR PLAN
 SCALE: 1/8"=1'-0"



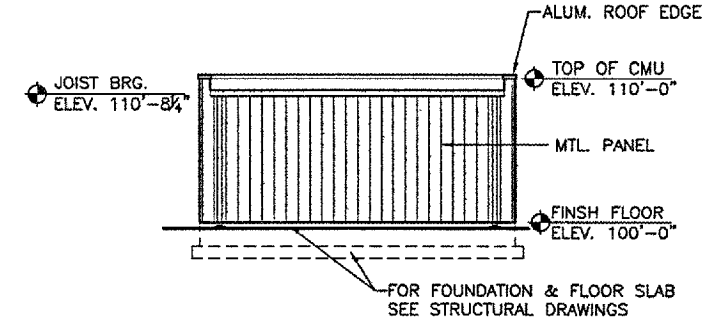
2 ROOF PLAN
 SCALE: 1/8"=1'-0"



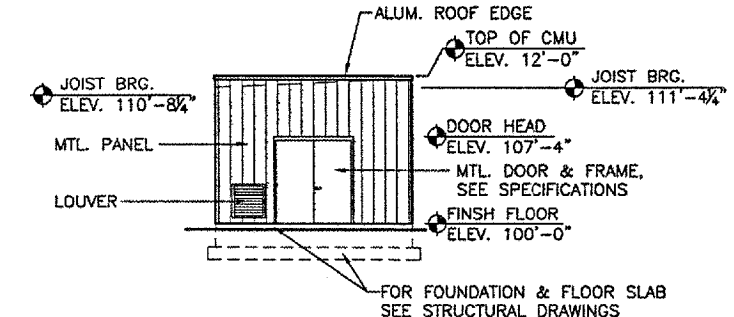
3 EXTERIOR ELEVATION - WEST
 SCALE: 1/8"=1'-0"



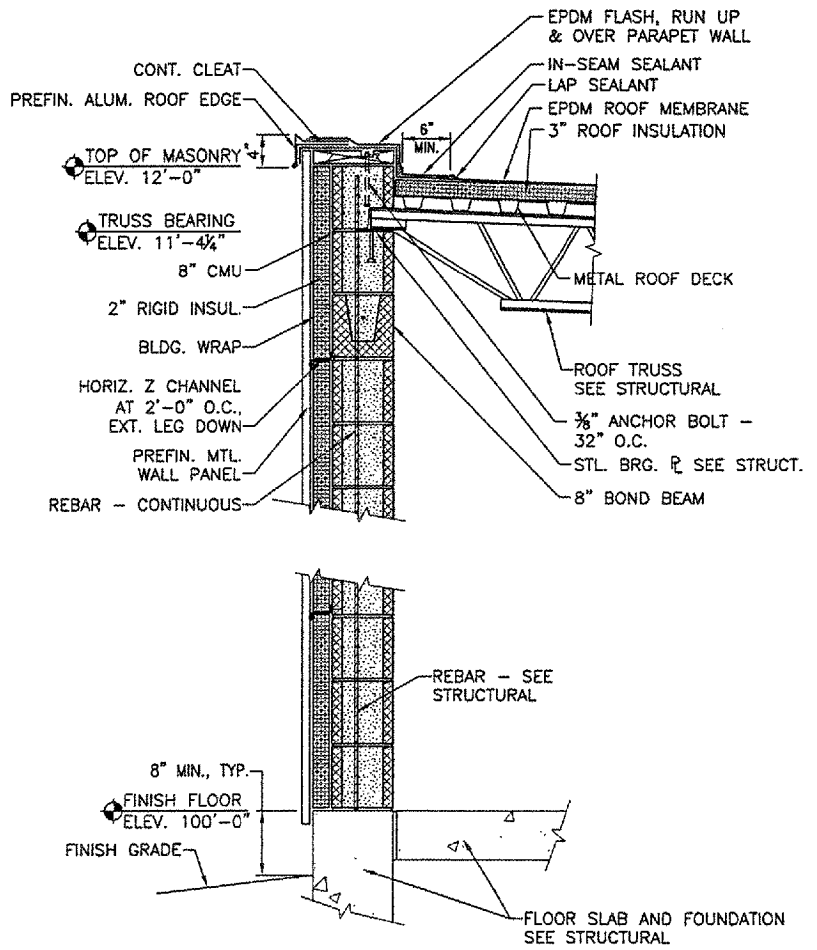
4 EXTERIOR ELEVATION - NORTH
 SCALE: 1/8"=1'-0"



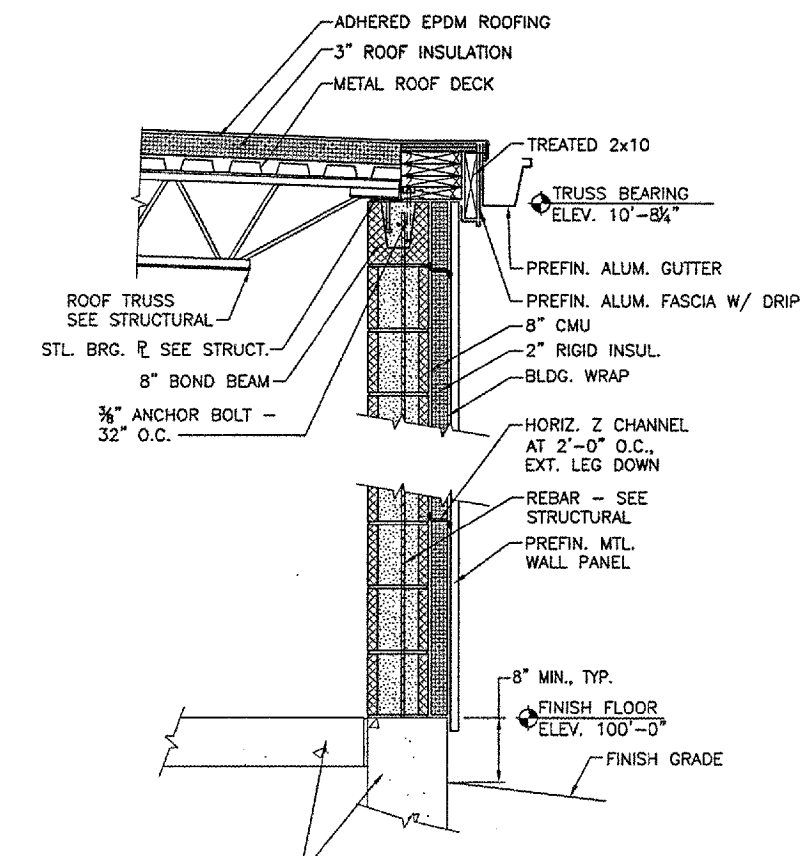
5 EXTERIOR ELEVATION - SOUTH
 SCALE: 1/8"=1'-0"



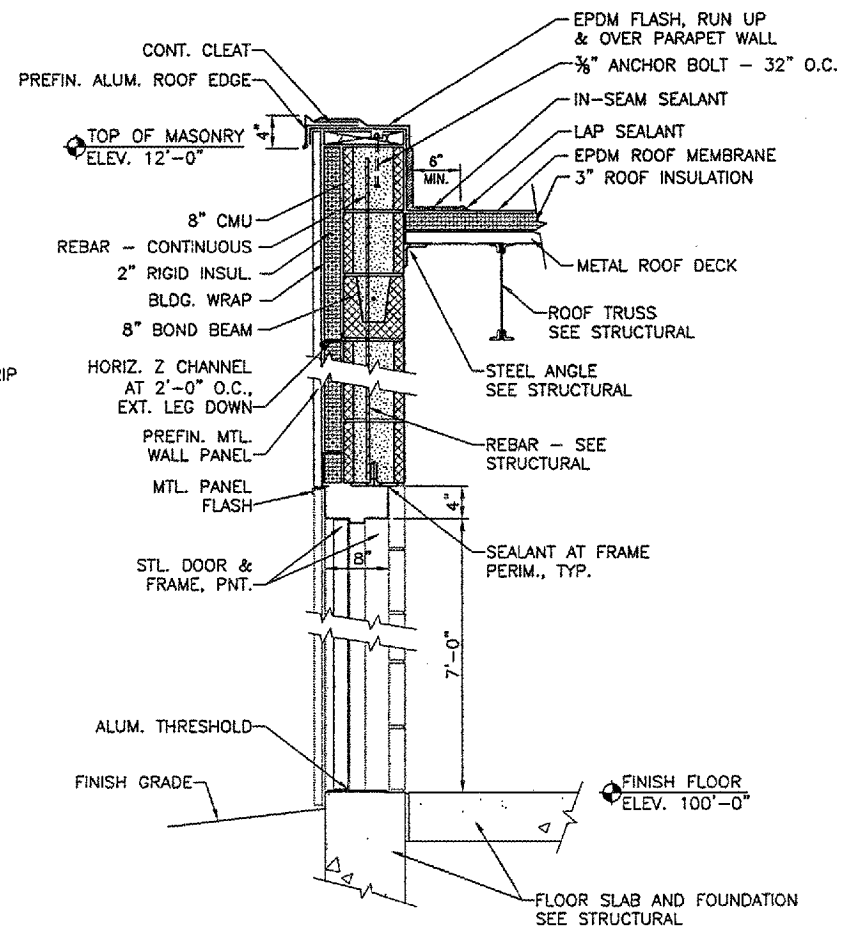
6 EXTERIOR ELEVATION - EAST
 SCALE: 1/8"=1'-0"



A WALL SECTION
 SCALE: 1"=1'-0"



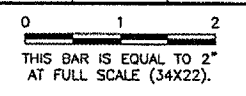
B WALL SECTION
 SCALE: 1"=1'-0"



C WALL SECTION
 SCALE: 1"=1'-0"

REVISIONS

NUMBER	BY	DATE



VERMILION COUNTY AIRPORT
DANVILLE, ILLINOIS
RELOCATE AIRFIELD ELECTRICAL VAULT
NEW ELECTRICAL VAULT
FLOOR PLAN, ROOF PLAN,
EXTERIOR ELEVATIONS & WALL SECTIONS

© Copyright G.M.T. Inc.

G.M.T.
 CRAWFORD, MURPHY & TILLY, INC.
 CONSULTING ENGINEERS
 License No. 184-000613

DESIGN BY:	GTC
DRAWN BY:	DLB
CHECKED BY:	
APPROVED BY:	
DATE:	06-22-2007
JOB No:	0704202
ILLINOIS PROJECT DNV-3684	
A.I.P. PROJECT 3-17-0032-811	
SHEET 14 OF 16 SHEETS	