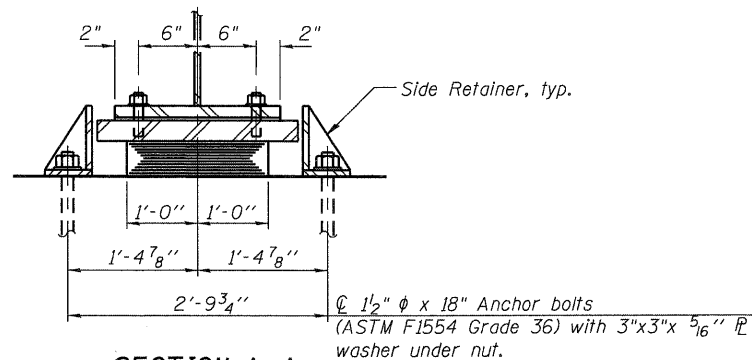
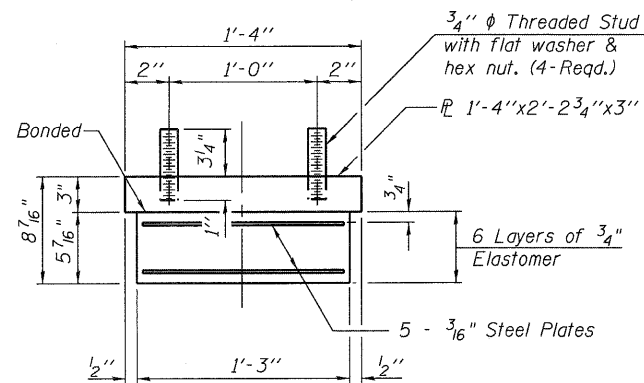


ELEVATION AT ABUT.



SECTION A-A

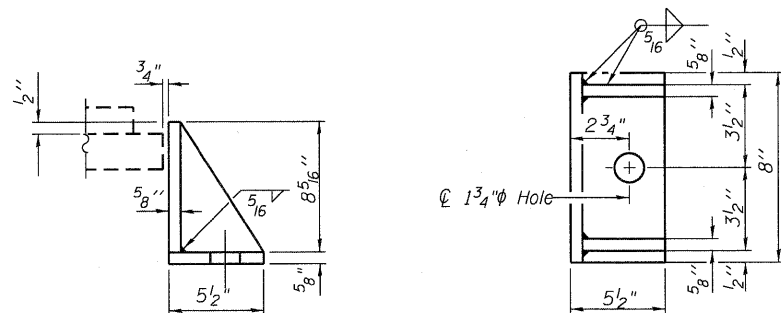
TYPE I ELASTOMERIC EXP. BRG.



BEARING ASSEMBLY

Note:
Shim plates shall not be placed under Bearing Assembly.

Notes:
Anchor bolts shall be ASTM F1554 all-thread (or an Engineer-approved alternate material) of the grade(s) and diameter(s) specified. ASTM A307 Grade C anchor bolts may be used in lieu of ASTM F1554 Grade 36 (Fy=36ksi). The corresponding specified grade of AASHTO M314 anchor bolts may be used in lieu of ASTM F1554.
Anchor bolts for side retainers may be cast in place or installed in holes drilled before or after members are in place.
Drilled and set anchor bolts shall be installed according to Article 521.06 of the Standard Specifications.
Side retainers and other steel members required for the elastomeric bearing assembly shall be included in the cost of Elastomeric Bearing Assembly, Type I.
Clip bearing plates as required at front face of abutment.
The structural steel plates of the Bearing Assembly shall conform to the requirements of Grade 50W.
See sheet 38 for location of Type I Elastomeric Bearings.



SIDE RETAINER

Equivalent rolled angle with stiffeners will be allowed in lieu of welded plates.

SHIM PLATE THICKNESS TABLE

Location	G15
South Abutment	5/8"

BILL OF MATERIAL

Item	Unit	Total
Elastomeric Bearing Assembly, Type I	Each	31
Anchor Bolts, 1 1/2"	Each	62