

EXISTING LEGEND

- (A) EXISTING TOPSOIL
- (B) EXISTING AGGREGATE SHOULDER
- (C) EXISTING BITUMINOUS CONCRETE SHOULDERS (9 IN.)
- (D) EXISTING AGGREGATE SUB-GRADE, 12"
- (Da) 3" CA-6 AGGREGATE CAP (THICKNESS VARIES UNDER SHOULDER)
- (Db) 9" PGE
- (E) EXISTING PIPE UNDERDRAINS
- (F) EXISTING CONCRETE BARRIER, DOUBLE FACE, 42 INCH
- (G) EXISTING CONCRETE BARRIER, BASE
- (H) EXISTING BITUMINOUS CONCRETE SHOULDERS (6 IN.)
- (I) EXISTING STABILIZED SUB-BASE, 3 IN.
- (J) EXISTING PORTLAND CEMENT CONCRETE PAVEMENT 12" (JOINTED)
- (K) EXISTING CONCRETE BARRIER BASE, VARIABLE HEIGHT
- (L) EXISTING CONCRETE BARRIER, DOUBLE FACE, VARIABLE HEIGHT
- (M) EXISTING CONCRETE GUTTER (SPECIAL)
- (N) EXISTING PCC PAVEMENT, 10"
- (O) EXISTING BITUMINOUS CONCRETE OVERLAY, 4"
- (P) EXISTING BITUMINOUS CONCRETE SHOULDERS 13"
- (Q) EXISTING PERMANENT SHEET PILING
- (R) EXISTING CONCRETE RETAINING WALL
- (S) EXISTING CONCRETE STRUCTURES MOMENT SLAB
- (T) EXISTING CONCRETE BARRIER, 42"
- (U) EXISTING GUTTER, TYPE G-3
- (V) EXISTING PVC CONDUIT
- (W) EXISTING POROUS GRANULAR BACKFILL

PROPOSED LEGEND

- (1) TOPSOIL EXCAVATION AND PLACEMENT (21101505) (4")
- (2) AGGREGATE SHOULDERS WITH FILTER FABRIC, TYPE B 6" (J1481110)
- (3) HOT-MIX ASPHALT SOULDERS, 6" (48203021)
- (4) SUBGRADE AGGREGATE 12 IN. (JT211A11)
- (4a) 3" CA-6 AGGREGATE CAP (THICKNESS VARIES UNDER SHOULDER)
- (4b) 9" PGE
- (5) PIPE UNDERDRAINS, FABRIC LINED TRENCH 6" (60109520)
- (6) PORTLAND CEMENT CONCRETE PAVEMENT 12" (JOINTED) (42000541)
- (7) STABILIZED SUBBASE - HMA, 3" (J1312020)
- (8) CONCRETE MEDIAN BARRIER TRANSITION, TYPE V-F (JT637023)
- (9) EMBANKMENT MATERIAL AS NEEDED (SEE CROSS SECTIONS)
- (10) LONGITUDINAL CONSTRUCTION JOINT.
FOR LONGITUDINAL CONSTRUCTION JOINT, DRILL AND GROUT NO. 6 DEFORMED EPOXY TIE BARS 24" LONG AT 24" C-C. (SHALL BE INCLUDED IN THE COST OF PORTLAND CEMENT CONCRETE PAVEMENT, 12" (JOINTED))
- (11) CONCRETE BARRIER BASE (J1637001)
- (12) GALVANIZED STEEL PLATE BEAM GUARDRAIL, TYPE A, 6 FOOT POSTS (J1630002)
- (13) AGGREGATE SHOULDERS SPECIAL, TYPE C (X4811410)

BOWMAN, BARRETT & ASSOCIATES INC.
CONSULTING ENGINEERS
Chicago, Illinois
312.228.0100
www.bbandainc.com



FILE NAME = \$FILES\$
USER NAME = default
PLOT SCALE = H1'-10" V1'-5"
PLOT DATE = 6/20/2012

DESIGNED - JMG
DRAWN - JMG
CHECKED - RGR
DATE - 6/19/2012

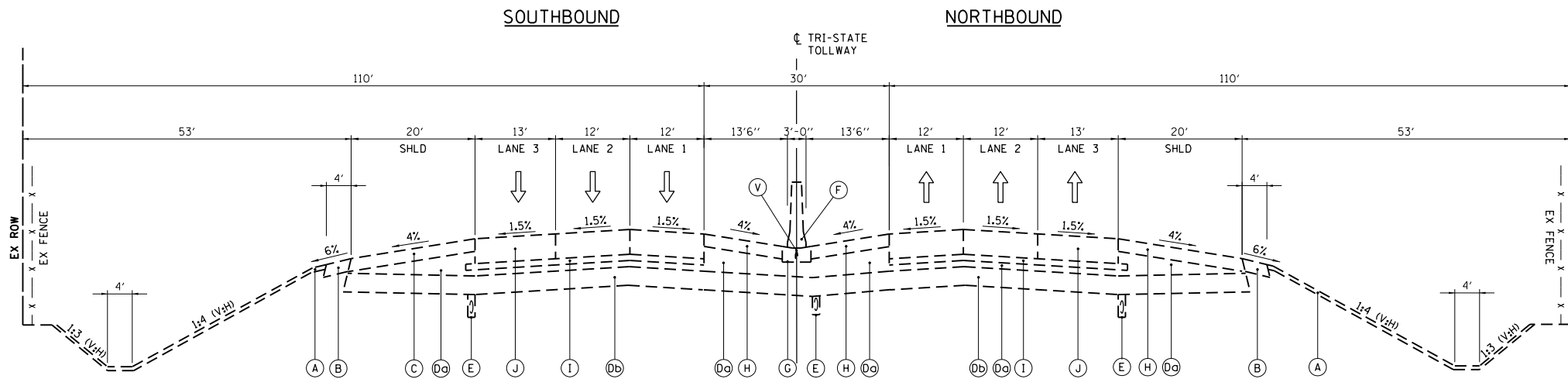
REVISED -
REVISED -
REVISED -
REVISED -

STATE OF ILLINOIS
DEPARTMENT OF TRANSPORTATION

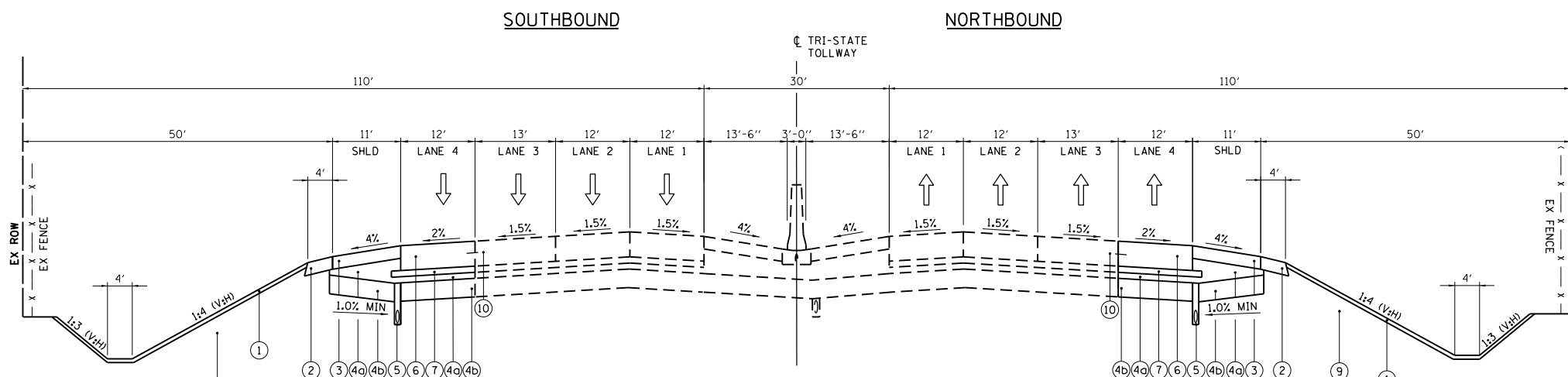
TYPICAL SECTIONS - I-94

SCALE: NA SHEET NO. 1 OF 15 SHEETS STA. NA TO STA. NA

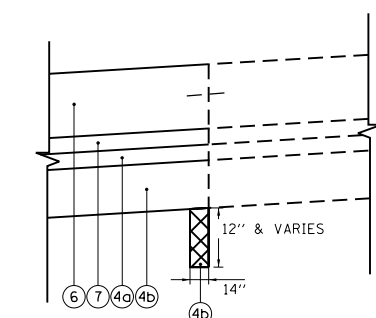
F.A. RTE.	SECTION	COUNTY	TOTAL SHEETS	SHEET NO.
94	49-1-R-1	LAKE	677	29
CONTRACT NO. 60L77				
ILLINOIS FED. AID PROJECT				



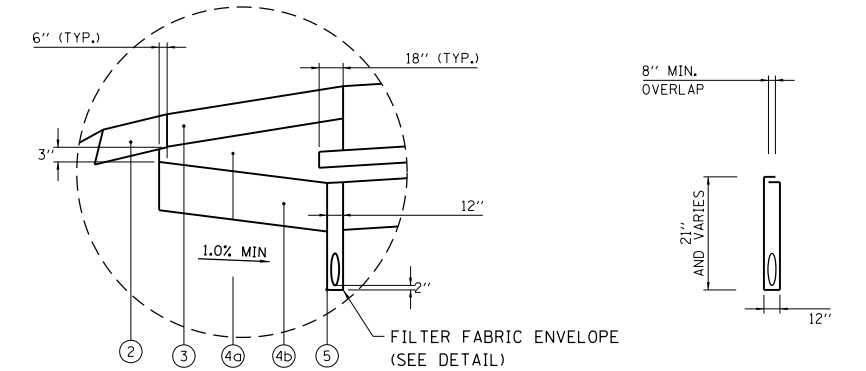
ISTHA
SB EXISTING / NB EXISTING
STA 3979+20.42 TO STA 3995+12.96 NB
STA 3978+89.91 TO STA 3995+12.96 SB
AND
STA 4033+26.18 TO STA 4052+61.48 NB
STA 4033+26.18 TO STA 4052+60.34 SB



ISTHA
SB PROPOSED / NB PROPOSED
STA 3979+20.42 TO STA 3995+12.96 NB
STA 3978+89.91 TO STA 3995+12.96 SB
AND
STA 4033+26.18 TO STA 4052+61.48 NB
STA 4033+26.18 TO STA 14052+60.34 SB



EXISTING PIPE UNDERDRAIN REMOVAL



TYPICAL SUB-GRADE AND SUB-BASE PLACEMENT UNDER SHOULDER
FILTER FABRIC ENVELOPE

NOTE: REMOVE EXISTING PIPE UNDERDRAIN AND PIPE UNDERDRAIN OUTLETS UNLESS OTHERWISE NOTED ON THE DRAINAGE PLANS.

S:\1101\95-CADD\60L77 IL 175\60L77 Sheets\160L77-INT-typical.dgn