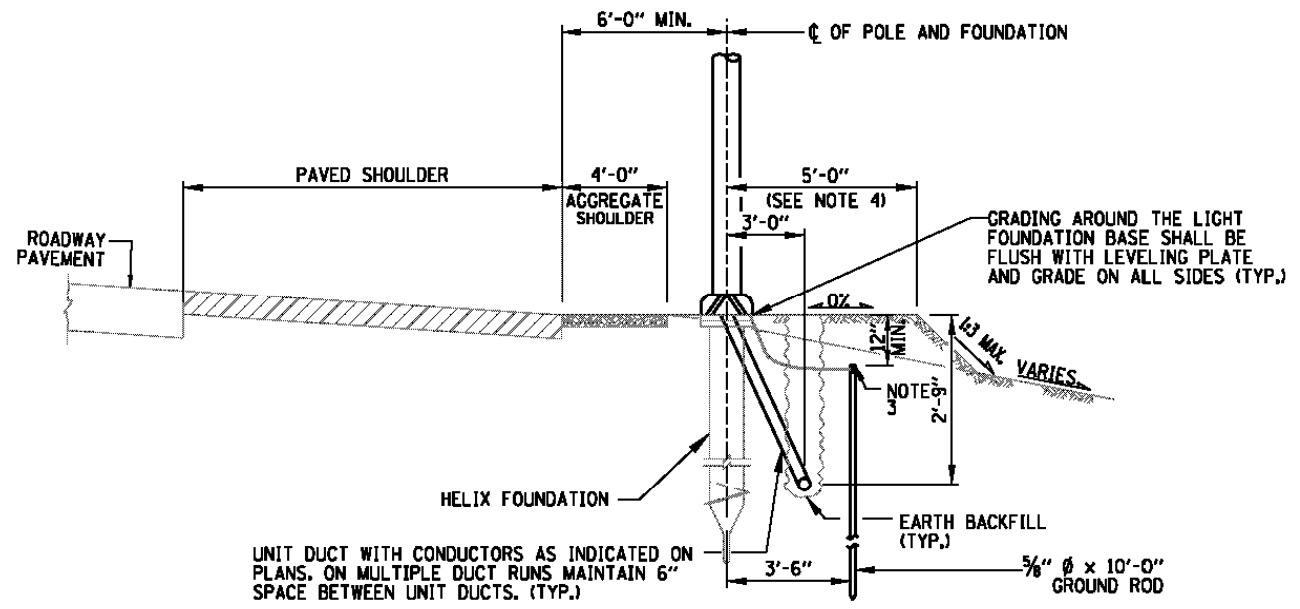
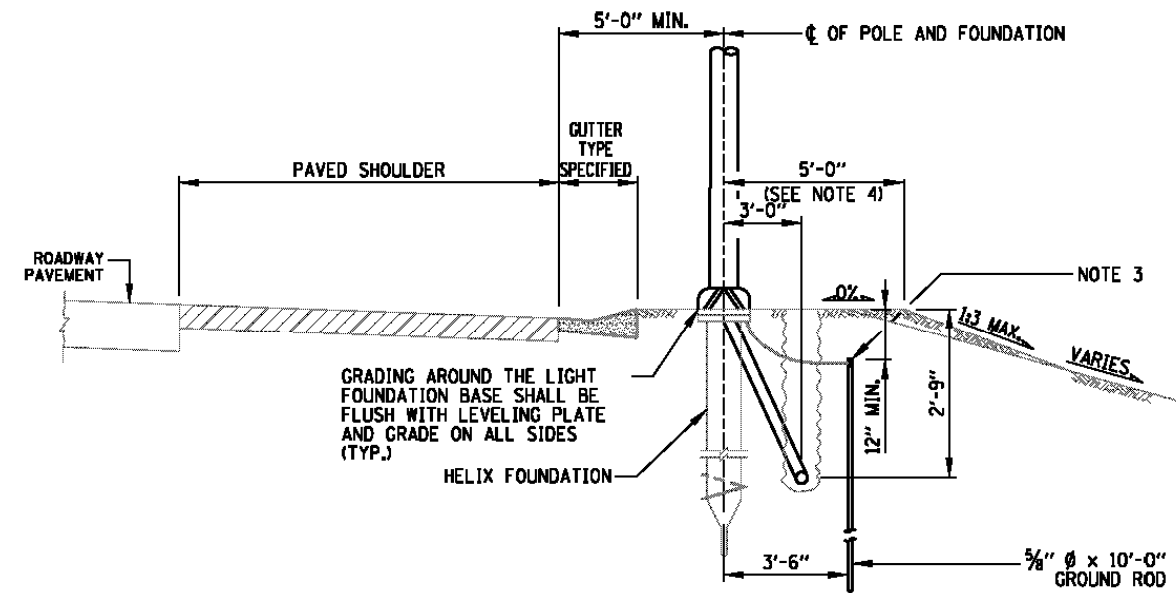


PLAN
HELIX FOUNDATION GRADING PLAN WITH FRONT SLOPES



HELIX FOUNDATION ADJACENT TO
AGGREGATE SHOULDER WITH FORESLOPE



HELIX FOUNDATION ADJACENT
TO GUTTER WITH FORESLOPE

SHEET 3 OF 6

Illinois Tollway
Open Roads for a Better Future

LIGHT STANDARD
FOUNDATION

STANDARD H1-01

NOTE:
SEE SHEET 1 OF THIS SERIES FOR NOTES.

APPROVED: *Paul Kovacs*
DATE: 2-7-2012

EJM ENGINEERING, INC.
411 South Wells Street Suite 1000
Chicago, Illinois 60607

| | | | |
|-----------|-------------------------|------------------|-----------|
| FILE NAME | USER NAME = rsonson | DESIGNED - RAS | REVISED - |
| | | DRAWN - BHH | REVISED - |
| | PLOT SCALE = NONE / IN. | CHECKED - MKR | REVISED - |
| | PLOT DATE = 6/18/2012 | DATE - 6/19/2012 | REVISED - |

STATE OF ILLINOIS
DEPARTMENT OF TRANSPORTATION

TOLLWAY STANDARD DRAWINGS

SCALE: NONE SHEET NO. 48 OF 53 SHEETS STA. TO STA.

| | | | | |
|---------------------------|----------|--------|--------------|-----------|
| F.A. RTE. | SECTION | COUNTY | TOTAL SHEETS | SHEET NO. |
| 94 | 49-1-R-1 | LAKE | 677 | 408 |
| CONTRACT NO. 60L77 | | | | |
| ILLINOIS FED. AID PROJECT | | | | |

E-48