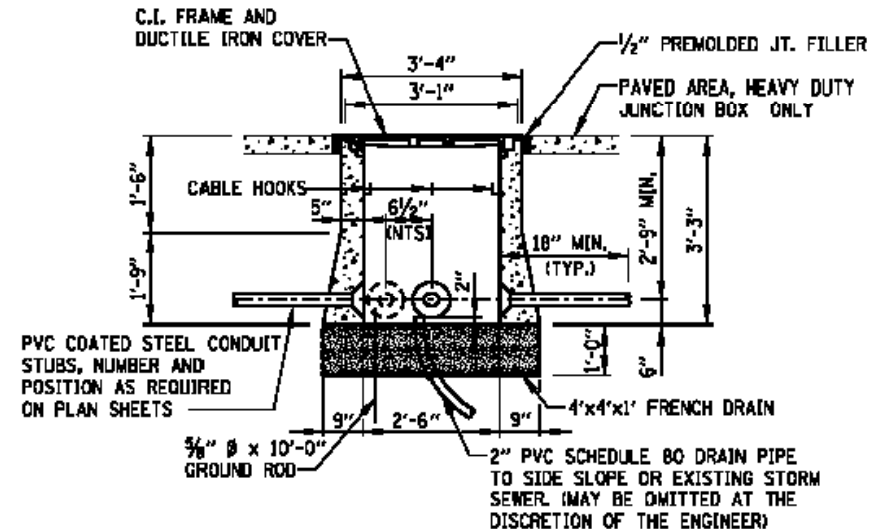


SLOPE INSTALLATION

PLAN



PAVED AREA INSTALLATION

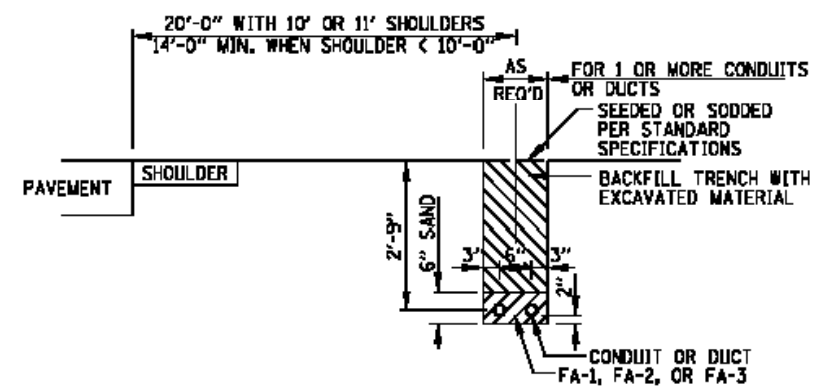
HANDHOLE AND HEAVY DUTY HANDHOLE

SEE NOTES

NOTES:

- HANDHOLES LOCATED IN UNPAVED AREAS AND NOT SHIELDED BY GUARDRAIL SHALL BE CONSTRUCTED WITH THE TOP FLUSH WITH THE ADJACENT SLOPE.
- HEAVY DUTY HANDHOLE - THIS TYPE SHALL BE CONSTRUCTED IN PAVED AREAS AND ITS FRAME AND COVER SHALL BE EITHER NEENAH FOUNDRY R-6662-PP WITH TYPE G LIFTING HANDLE OR EAST JORDAN IRON WORKS NO. 8213 WITH LIFTING RING, OR APPROVED EQUAL.
- HANDHOLE - THIS TYPE SHALL BE CONSTRUCTED ONLY IN NON-PAVED AREAS AND ITS FRAME AND COVER SHALL BE NEENAH FOUNDRY R-6660-MH OR APPROVED EQUAL. THE FRAME AND COVER SHALL BE INSTALLED WITH THE HINGES AT THE SIDE FACING APPROACHING TRAFFIC.
- AGGREGATE FOR FRENCH DRAIN SHALL BE PER ARTICLE 1003.04 OF THE STANDARD SPECIFICATIONS.
- 10 FEET OF EXTRA CABLE SHALL BE COILED IN EACH HANDHOLE.
- TRENCH AND BACKFILL FOR ELECTRICAL WORK SHALL BE INCLUDED IN THE COST OF THE UNDERGROUND RACEWAY AND WILL NOT BE MEASURED FOR PAYMENT.

APPROVED: *Paul Kovacs* DATE 7-7-2012
DATE 7-7-2012

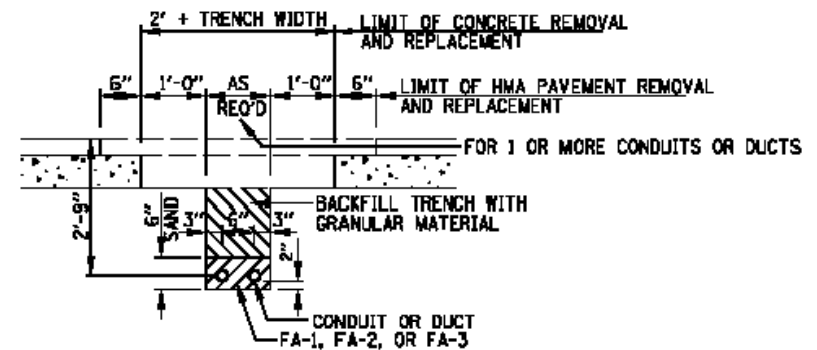


TRENCHING FOR CONDUIT IN NON-PAVED AREAS

(NOTE 6)

NOTE:

SAW-CUT HMA AND CONCRETE PAVEMENTS PRIOR TO REMOVAL



TRENCHING FOR CONDUIT IN PAVED AREAS

(NOTE 6)



DATE	REVISIONS
2-7-2012	ISSUE THESE DETAILS, NEW HANDHOLE DETAILS AND REVISION NOTES

HANDHOLES AND BURIED WIRING DETAILS
STANDARD H4-01

EJM ENGINEERING, INC.
 411 South Wells Street Suite 1000
 Chicago, Illinois 60607

FILE NAME	USER NAME: rsonson	DESIGNED - RAS	REVISED -
		DRAWN - BHH	REVISED -
		CHECKED - MKR	REVISED -
		DATE - 6/19/2012	REVISED -

**STATE OF ILLINOIS
 DEPARTMENT OF TRANSPORTATION**

TOLLWAY STANDARD DRAWINGS
 SCALE: NONE SHEET NO. 53 OF 53 SHEETS STA. TO STA.

F.A. RTE.	SECTION	COUNTY	TOTAL SHEETS	SHEET NO.
94	49-1-R-1	LAKE	677	413
CONTRACT NO. 60L77				
ILLINOIS FED. AID PROJECT				