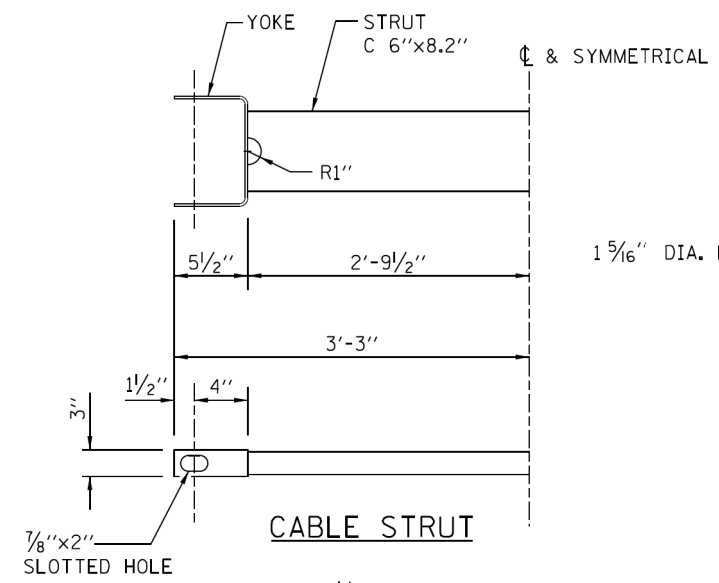
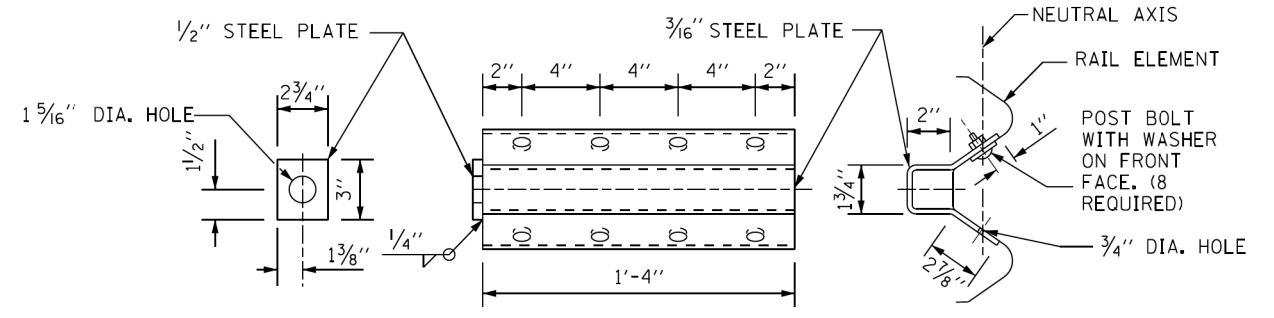


**BEARING PLATE K**

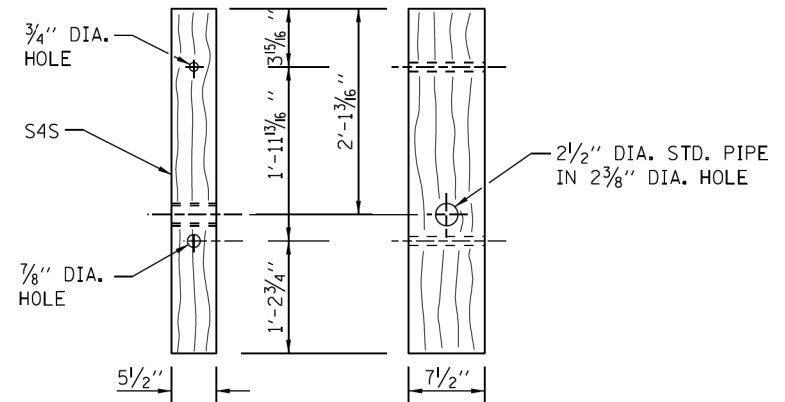


**CABLE STRUT**

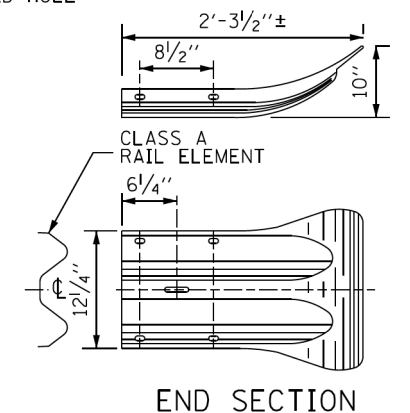


**NOTE:**  
ANCHOR PLATE T SHALL BE USED TO ATTACH CABLE ASSEMBLY TO GUARDRAIL WHEN REQUIRED ON TRAFFIC BARRIER TERMINALS.

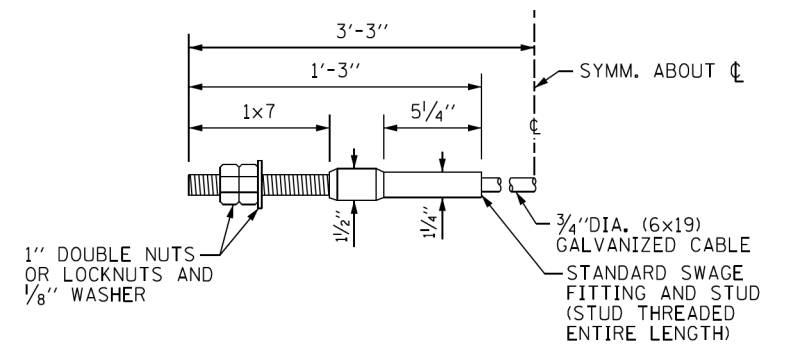
**ANCHOR PLATE T DETAILS**



**WOOD POST**

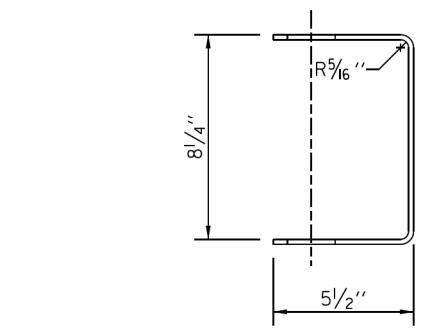


**END SECTION**

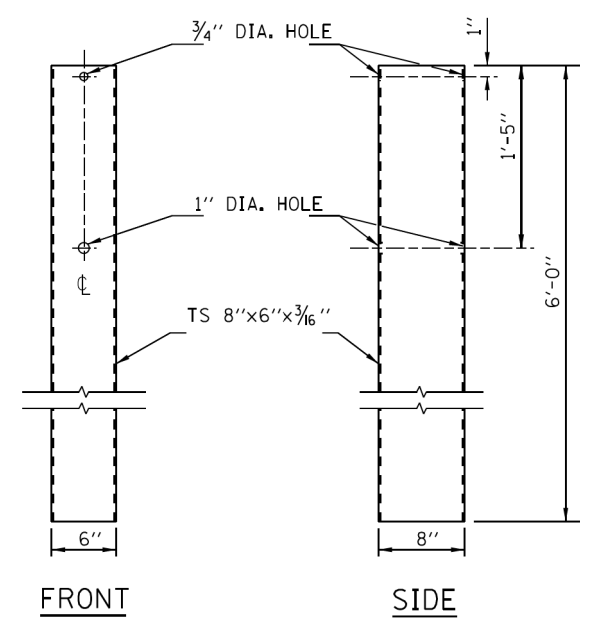


**CABLE ASSEMBLY**  
(40,000 LBS.) MIN. BREAKING STRENGTH  
TIGHTEN TO TAUT TENSION.

**NOTE:**  
SEE SHEET 1 OF THIS SERIES FOR NOTES.



**YOKE**  
3/16" THICK STEEL



**STEEL TUBE**

*Paul Kovacs*  
APPROVED ..... CHIEF ENGINEER ..... DATE 7-1-2009

**Illinois Tollway**  
*Open Roads for a Faster Future*

TRAFFIC BARRIER  
TERMINAL, TYPE T2

STANDARD C7-03

BOWMAN, BARRETT & ASSOCIATES INC.  
CONSULTING ENGINEERS  
Chicago, Illinois  
312.228.0100  
www.bbandainc.com

FILE NAME = #FILES#	USER NAME = default	DESIGNED -	REVISED -
		DRAWN -	REVISED -
	PLOT SCALE = H11=10" V11=5"	CHECKED - RGR	REVISED -
	PLOT DATE = 6/18/2012	DATE - 6/19/2012	REVISED -

STATE OF ILLINOIS  
DEPARTMENT OF TRANSPORTATION

TOLLWAY STANDARD DRAWING

SCALE:	SHEET NO. N/A OF N/A SHEETS	STA.	TO STA.
--------	-----------------------------	------	---------

F.A. RTE.	SECTION	COUNTY	TOTAL SHEETS	SHEET NO.
94	49-1-R-1	LAKE	677	642
CONTRACT NO. 60L77				
ILLINOIS FED. AID PROJECT				

S:\1101\95\CADD\60L77 IL 175\60L77 Sheets\160L77-INT-151TH.dgn