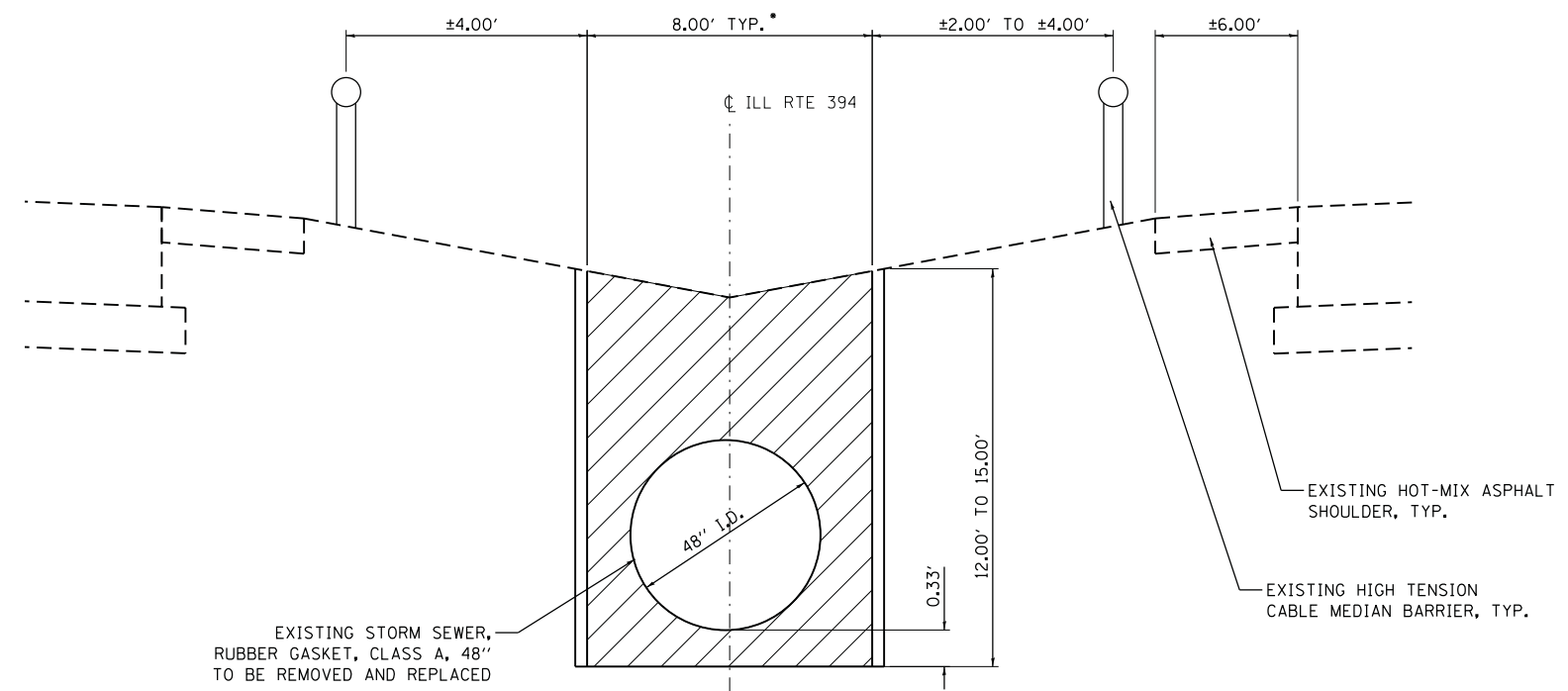


- NOTES:
- PAYMENT FOR BRACED EXCAVATION SHALL BE LIMITED TO THE DIMENSIONS SHOWN. ANY ADDITIONAL EXCAVATION NEEDED FOR THE CONSTRUCTION MEANS AND METHODS SHALL NOT BE MEASURED FOR PAYMENT. ANY ITEMS DAMAGED DURING BRACED EXCAVATION OPERATIONS SHALL BE REPLACED BY THE CONTRACTOR AT HIS EXPENSE.
 - BACKFILLING OF THE BRACED EXCAVATION SHALL BE INCLUDED IN THE CONTRACT UNIT PRICE FOR STORM SEWER, RUBBER GASKET, CLASS A, 48" PER ARTICLE 550.07 OF THE STANDARD SPECIFICATIONS.

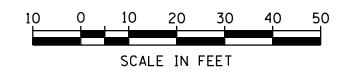


* WIDTH VARIES FROM 8.00' AT STA. 124+33.23 TO 10.00 AT STA. 124.57.23 AND FROM 10.00' AT STA. 124+83.73 TO 8.00' AT STA. 125+07.23

TOTAL BILL OF MATERIAL

ITEM	UNIT	TOTAL
BRACED EXCAVATION	CU. YD.	1737

LEGEND
 PAY LIMITS FOR BRACED EXCAVATION



COMPANY NAME: HRGreen
 PROJECT CONTACT: HRGreen
 DATE PLOTTED: 5/17/2012 14:46:38 PM
 FILE NAME: 86100196.11-dst-01.dgn
 PLOT DRIVER: pdfcut
 PEN TABLE: Struct_22x34.tbl



USER NAME = mhardin	DESIGNED - J. GUERRIERO	REVISED -
	DRAWN - J. GUERRIERO	REVISED -
PLOT SCALE = 1"=20'	CHECKED - R. DAVIES	REVISED -
PLOT DATE = 5/17/2012	DATE - 5/17/12	REVISED -

**STATE OF ILLINOIS
 DEPARTMENT OF TRANSPORTATION**

**BRACED EXCAVATION
 ILLINOIS ROUTE 394**

SCALE: 1"=20' SHEET NO. 1 OF 1 SHEETS STA. TO STA.

F.A. RTE. 332	SECTION 2011-073-T	COUNTY COOK	TOTAL SHEETS 44	SHEET NO. 12
FED. ROAD DIST. NO. ILLINOIS FED. AID PROJECT			CONTRACT NO. 60P93	