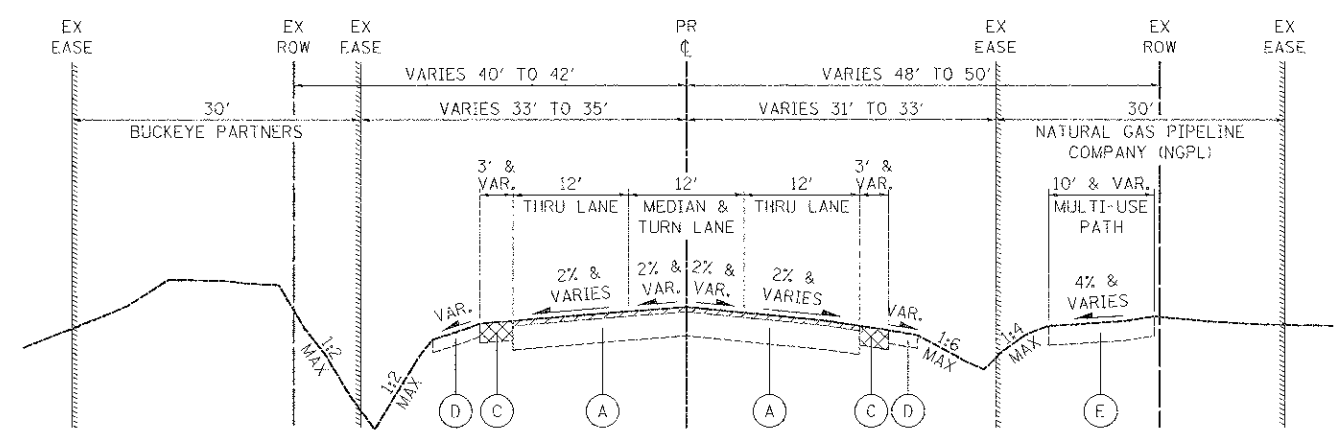
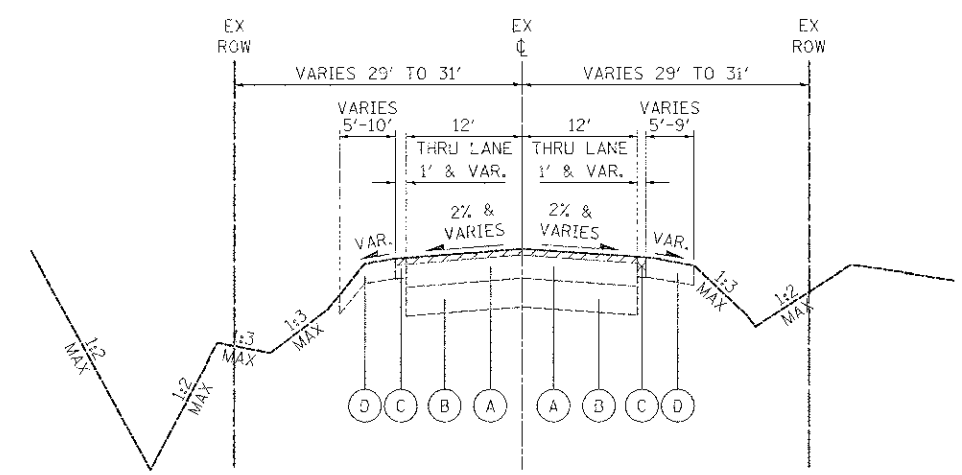


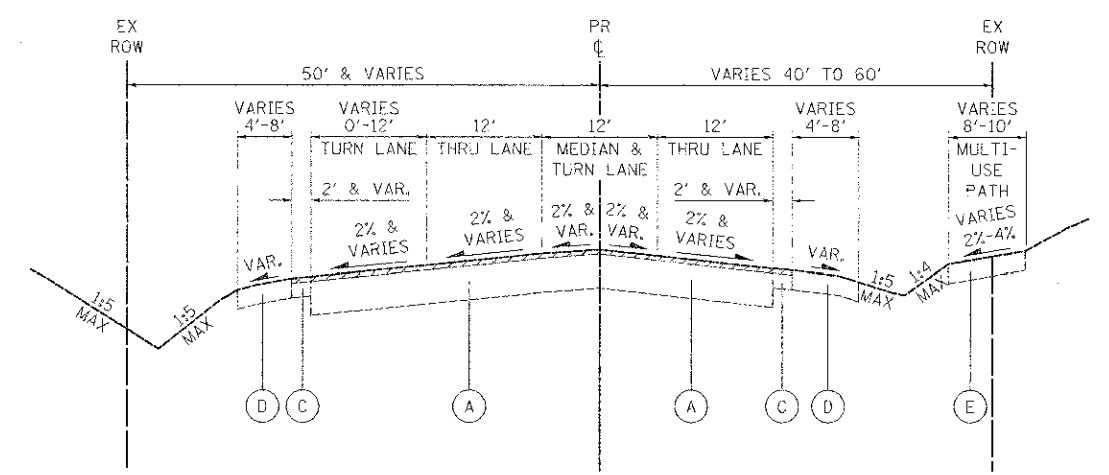
ATKINSON ROAD – EXISTING TYPICAL SECTION
 STA. 457+00 TO STA. 460+56.50



ATKINSON ROAD – EXISTING TYPICAL SECTION
 STA. 460+56.50 TO STA. 466+69



IL ROUTE 137 – EXISTING TYPICAL SECTION
 STA. 791+00 TO STA. 809+25



IL ROUTE 120 – EXISTING TYPICAL SECTION
 STA. 119+40 TO STA. 126+07

- LEGEND**
- (A) EXISTING HMA PAVEMENT
 -ATKINSON ROAD: VARIES 9" TO 10"
 -IL ROUTE 137: VARIES 9" TO 10"
 -IL ROUTE 120: VARIES 12" TO 13"
 - (B) EXISTING PCC PAVEMENT (VARIES 8" TO 9")
 - (C) EXISTING HMA SHOULDER
 - (D) EXISTING AGGREGATE SHOULDER
 - (E) EXISTING HMA MULTI-USE PATH
- HMA SURFACE REMOVAL:
 -ATKINSON ROAD: 1 1/2"
 -IL ROUTE 137: 2"
 -IL ROUTE 120: 1 1/2"
- PAVEMENT REMOVAL



USER NAME: [blank]
 FILE NAME: [blank]
 PLOT SCALE: 1/8"=1'-0"
 PLOT DATE: 3/1/2012

DESIGNED - MJP
 DRAWN - MJP
 CHECKED - DNM
 DATE - 02/06/12

REVISED - [blank]
 REVISED - [blank]
 REVISED - [blank]
 REVISED - [blank]

**STATE OF ILLINOIS
 DEPARTMENT OF TRANSPORTATION**

EXISTING TYPICAL SECTIONS

SCALE: N.T.S. SHEET NO. 1 OF 3 SHEETS STA. TO STA.

F.A.D. RTE. 198	SECTION 00-00045-00-PV	COUNTY LAKE	TOTAL SHEETS 11
CONTRACT NO. 63640			SHEET NO. 11
FED. ROAD DIST. NO. 1 (ILLINOIS) FED. AID PROJECT			