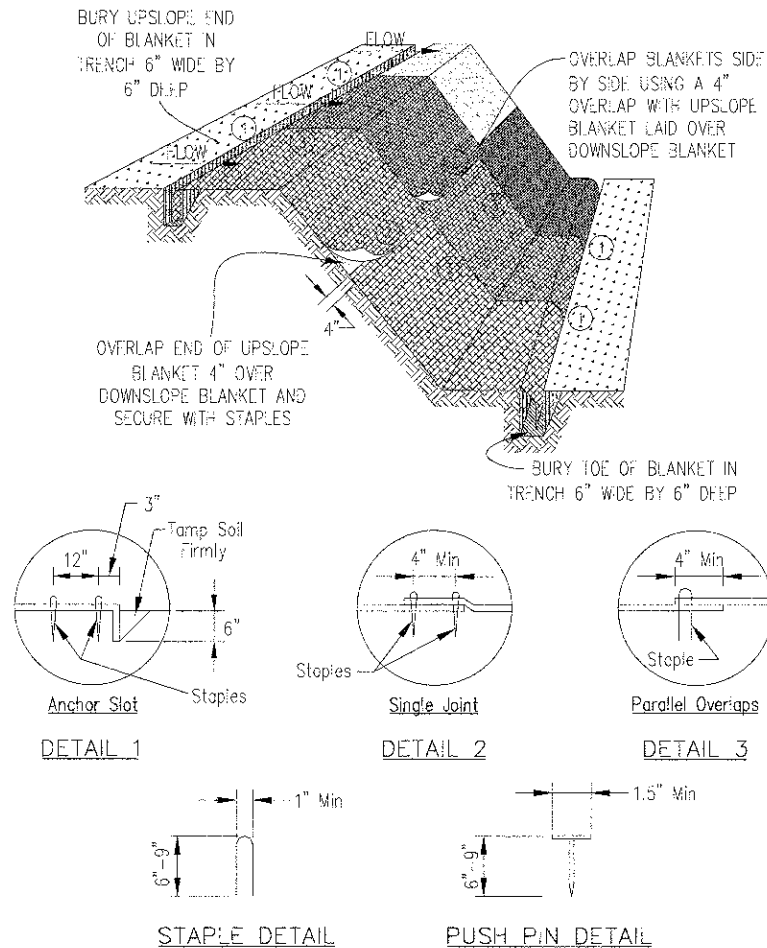


EROSION CONTROL BLANKET INSTALLATION DETAILS

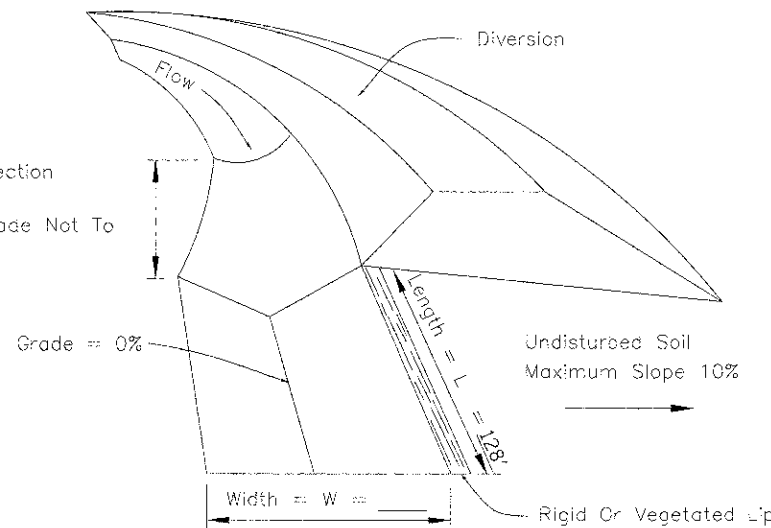


NOTES:

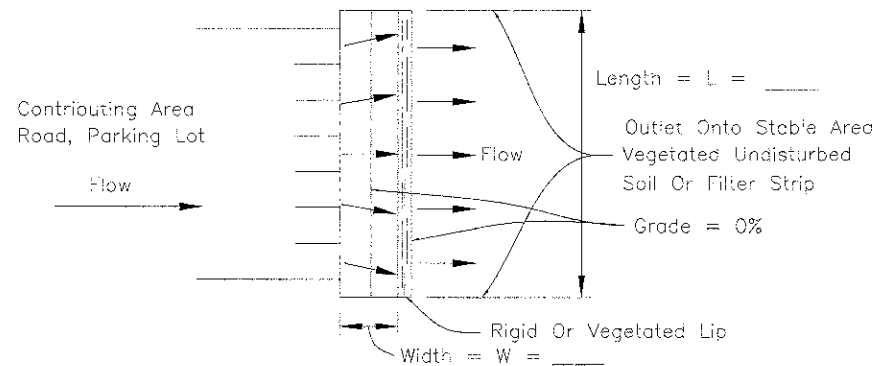
1. Staples shall be placed in a diamond pattern at 2 per s.y. for stitched blankets. Non-stitched shall use 4 staples per s.y. of material. This equates to 200 staples with stitched blanket and 400 staples with non-stitched blanket per 100 s.y. of material.
2. Staple or push pin lengths shall be selected based on soil type and conditions. (minimum staple length is 6")
3. Erosion control material shall be placed in contact with the soil over a prepared seedbed.
4. All anchor slots shall be stapled at approximately 12" intervals.

LEVEL SPREADER

Transition Section
20 Ft. Min.
Diversion Grade Not To Exceed 1%



LEVEL SPREADER FOR DIVERSION OUTLET

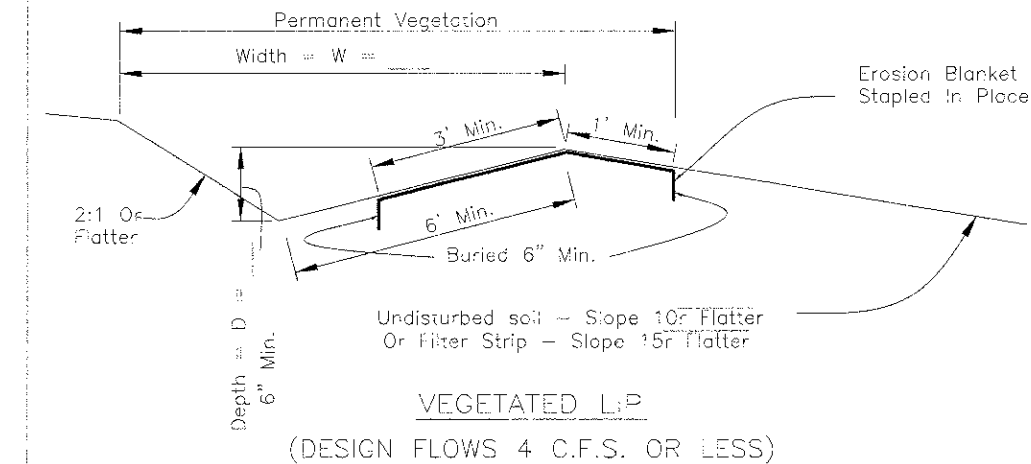
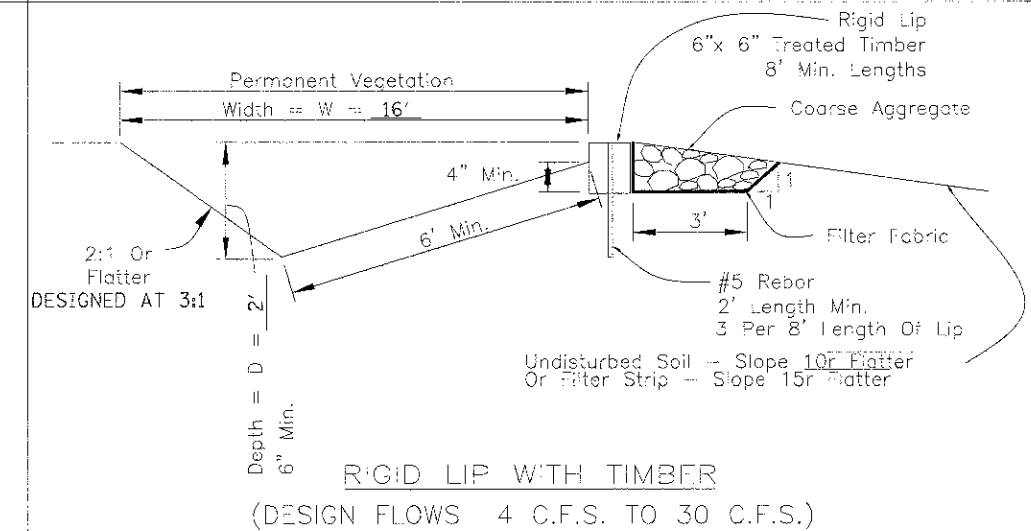


LEVEL SPREADER FOR IMPERVIOUS AREAS

NOTES:

1. Ends of spreader shall be tied into higher ground to prevent flow around the level spreader.
2. See plans for L and W dimensions.

LEVEL SPREADER



NOTES:

1. Coarse aggregate shall meet one of the following IDOT gradations: CA-1, or CA-3.
2. Filter fabric shall meet the requirements of material specification 592 GEOTEXTILE, Table 1 or 2, Class I, II, or IV.
3. See sheet FILTER STRIP-GRASSED IL-535 for filter strip requirements.
4. See sheet EROSION BLANKET IL-530 for blanket material and installation requirements.
5. See plans for permanent seeding requirements.
6. See plans for D and W dimensions.

REFERENCE Project	_____
Designed	_____ Date _____
Checked	_____ Date _____
Approved	_____ Date _____



STANDARD DWG. NO.	IL-530
SHEET 1 OF 1	
DATE	11/08

REFERENCE Project	_____
Designed	_____ Date _____
Checked	_____ Date _____
Approved	_____ Date _____



STANDARD DWG. NO.	IL-570
SHEET 1 OF 2	
DATE	1-29-99

REFERENCE Project	_____
Designed	_____ Date _____
Checked	_____ Date _____
Approved	_____ Date _____



STANDARD DWG. NO.	IL-570
SHEET 2 OF 2	
DATE	1-29-99



USER NAME	ed
FULL NAME	...
PLOT SCALE	1/8" = 1'
PLOT DATE	2/2/2012

DESIGNED	MJP
DRAWN	MJP
CHECKED	DNM
DATE	02/06/12

REVISED	-
REVISED	-
REVISED	-
REVISED	-

STATE OF ILLINOIS
DEPARTMENT OF TRANSPORTATION

ATKINSON ROAD
EROSION AND SEDIMENT CONTROL DETAILS

SCALE: N.T.S. SHEET NO. 2 OF 6 SHEETS STA. TO STA.

F.A.U. RTE.	SECTION	COUNTY	TOTAL SHEETS	SHEET NO.
198	00-00045-00-PV	LAKE	195	58
CONTRACT NO. 63640				