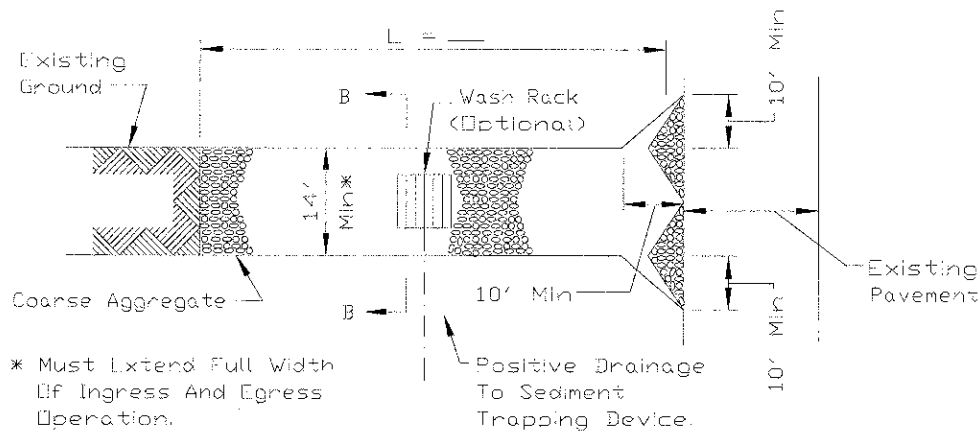
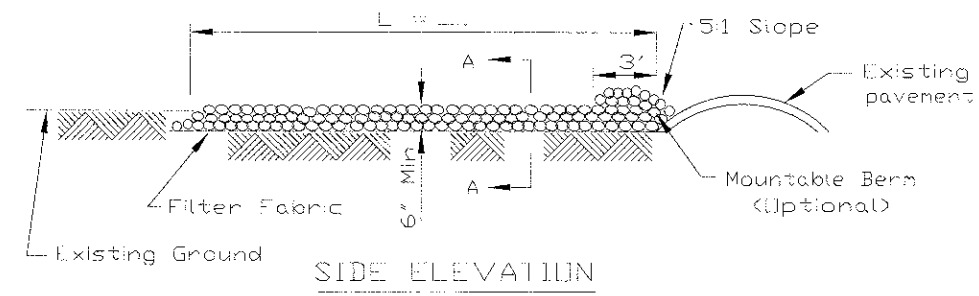


STABILIZED CONSTRUCTION ENTRANCE PLAN



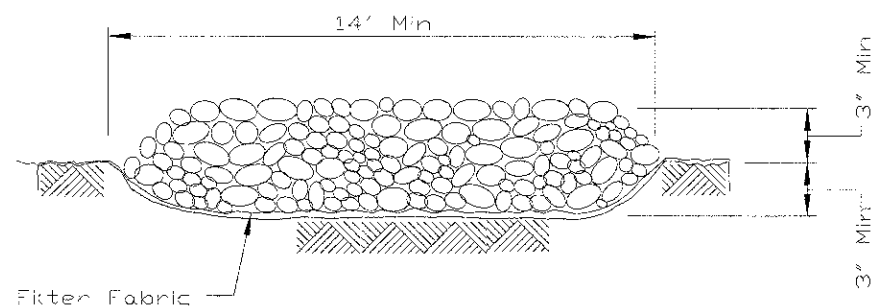
PLAN VIEW



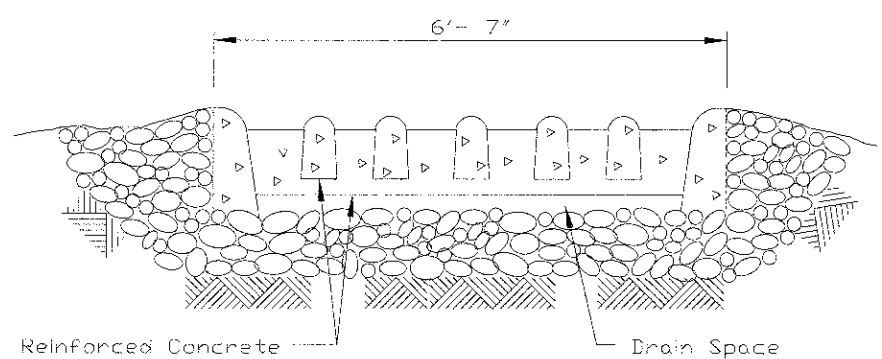
SIDE ELEVATION

- NOTES:
1. Filter fabric shall meet the requirements of material specification 592 GEOTEXTILE, Table 1 or 2, Class I, II or IV and shall be placed over the cleared area prior to the placing of rock.
  2. Rock or reclaimed concrete shall meet one of the following IDOT coarse aggregate gradation, CA-1, CA-2, CA-3 or CA-4 and be placed according to construction specification 25 ROCKFILL using placement Method 1 and Class III compaction.
  3. Any drainage facilities required because of washing shall be constructed according to manufacturers specifications.
  4. If wash racks are used they shall be installed according to the manufacturer's specifications.

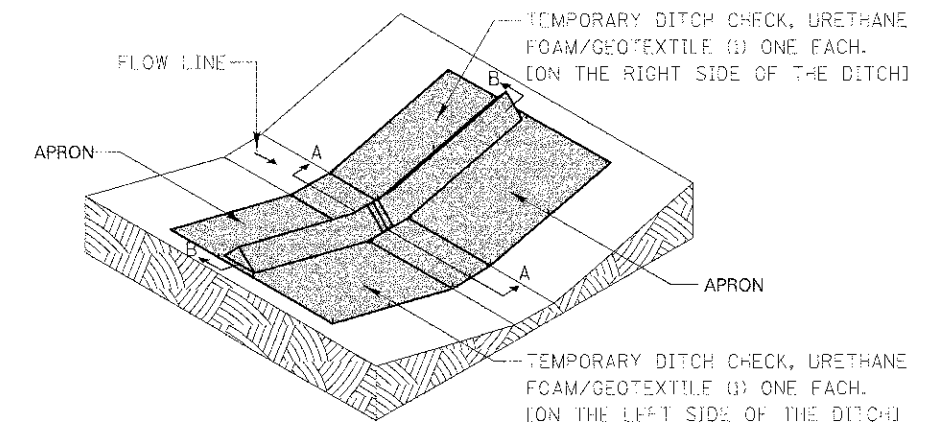
STABILIZED CONSTRUCTION ENTRANCE PLAN



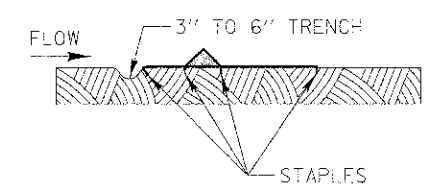
SECTION A-A



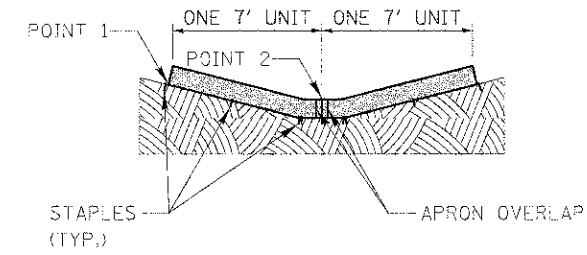
SECTION B-B



SILT DIKE UNIT ISOMETRIC



SECTION A-A



SECTION B-B

STAPLES SHALL BE PLACED WHERE THE UNITS OVERLAP AND IN THE CENTER OF THE 7' UNIT AS SHOWN ON THE DIAGRAM.  
POINT 1 MUST BE HIGHER THAN POINT 2 TO INSURE THAT WATER FLOWS OVER THE DIKE AND NOT AROUND THE ENDS.

NOTE:  
THE INSTALLATION SHOWN ABOVE WILL BE MEASURED AS TWO (2) EACH TEMPORARY DITCH CHECK, URETHANE FOAM/GEOTEXTILE.  
NOT TO SCALE

REVISIONS	DATE	APPROVED BY: M. G. ZEMAITIS DATE: APRIL 1, 2007

**TRIANGULAR SILT DIKE INSTALLATION FOR ROADWAY DITCH OR DRAINAGE DITCH**

DESIGNED - MJP	REVISOR -
DRAWN - MJP	REVISIONS -
CHECKED - DNM	REVISIONS -
DATE - 02/06/12	REVISIONS -



STANDARD DWG. NO. IL-630
SHEET 1 OF 2
DATE 8-18-94

DESIGNED - MJP	REVISOR -
DRAWN - MJP	REVISIONS -
CHECKED - DNM	REVISIONS -
DATE - 02/06/12	REVISIONS -



STANDARD DWG. NO. IL-630
SHEET 2 OF 2
DATE 8-18-94



USER NAME = eds	DESIGNED - MJP	REVISOR -
FILE NAME = ...12189-shtrcrs18.dgn	DRAWN - MJP	REVISIONS -
PLOT SCALE = 1/8" = 1'-0"	CHECKED - DNM	REVISIONS -
PLOT DATE = 2/2/2012	DATE - 02/06/12	REVISIONS -

STATE OF ILLINOIS  
DEPARTMENT OF TRANSPORTATION

ATKINSON ROAD  
EROSION AND SEDIMENT CONTROL DETAILS

SCALE: N.T.S. SHEET NO. 6 OF 6 SHEETS STA. TO STA.

F.A.U. RTE. 198	SECTION 00-00045-00-PV	COUNTY LAKE	TOTAL SHEETS 195	SHEET NO. 61
CONTRACT NO. 63640				

LC2050