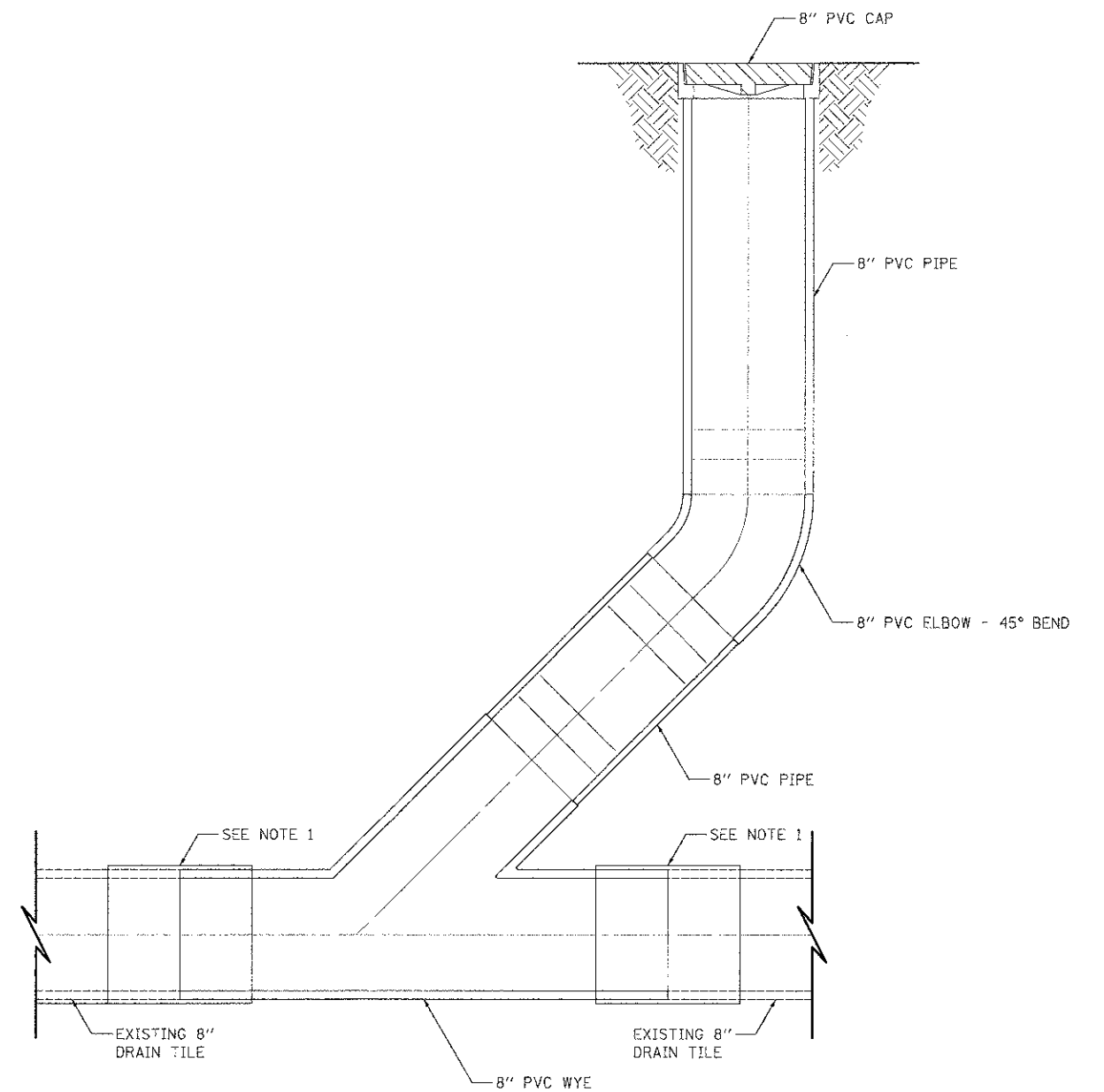


**FIELD TILE INSPECTION STRUCTURE
(4" PVC DETAIL)**



**FIELD TILE INSPECTION STRUCTURE
(8" PVC DETAIL)**

NOTES

1. SEE DETAIL "B" OF STANDARD BD-7 (DETAIL OF STORM SEWER CONNECTION TO EXISTING SEWER) FOR COLLAR DETAILS. FOLLOW ALL CONSTRUCTION SEQUENCES IN STANDARD DETAIL.
2. ALL FIELD TILE INSPECTION STRUCTURES TO BE PAID FOR AS "FIELD TILE INSPECTION STRUCTURE" PER EACH.



USER NAME - eds	DESIGNED - MJP	REVISED -
FILE NAME - ...N2189-shd-detail@2.dgn	DRAWN - MJP	REVISED -
PLOT SCALE = 1/3200' / in.	CHECKED - DNM	REVISED -
PLOT DATE = 2/2/2012	DATE - 02/06/12	REVISED -

**STATE OF ILLINOIS
DEPARTMENT OF TRANSPORTATION**

**CONSTRUCTION DETAILS
FIELD TILE INSPECTION STRUCTURE**

SCALE: N.T.S. SHEET NO. 1 OF 1 SHEETS STA. TO STA.

F.A.U. RTE. 198	SECTION 00-00045-00-PV	COUNTY LAKE	TOTAL SHEETS 195	SHEET NO. 132
CONTRACT NO. 63640				
FED. ROAD DIST. NO. 1 ILLINOIS FED. AID PROJECT				