

DATE	
BY	
SURVEYED	
PLOTTED	
NOTE BOOK	
AREAS CHECKED	

DATE	
BY	
SURVEYED	
PLOTTED	
NOTE BOOK	
AREAS CHECKED	

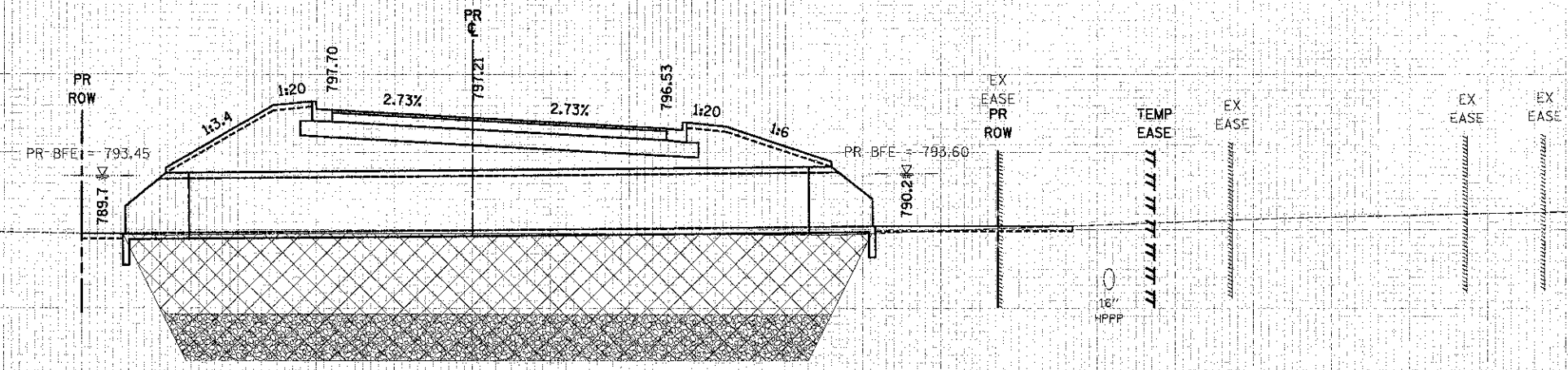
**LEGEND**

	TOPSOIL REMOVAL
	REMOVAL AND DISPOSAL OF UNSUITABLE MATERIALS
	POROUS GRANULAR EMBANKMENT, SUBGRADE
	PAVEMENT REMOVAL

STA. 446+50

TOPSOIL REMOVAL	0.0 SF
REMOVAL AND DISPOSAL OF UNSUITABLE MATERIALS	710.4 SF
POROUS GRANULAR EMBANKMENT, SUBGRADE	247.8 SF
EARTH EXCAVATION	0.0 SF
EMBANKMENT	993.1 SF

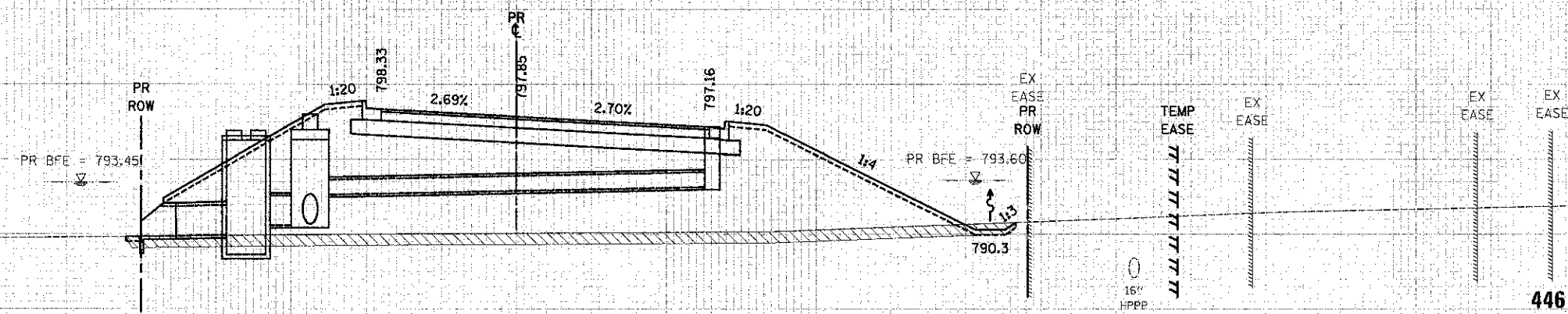
446 + 50.00



STA. 446+00

TOPSOIL REMOVAL	88.6 SF
REMOVAL AND DISPOSAL OF UNSUITABLE MATERIALS	0.0 SF
POROUS GRANULAR EMBANKMENT, SUBGRADE	0.0 SF
EARTH EXCAVATION	0.0 SF
EMBANKMENT	650.7 SF

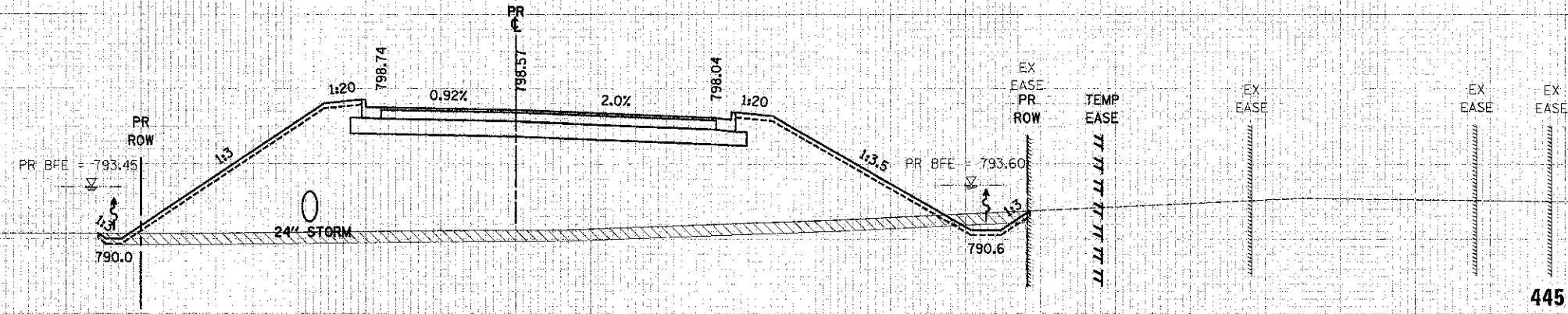
446 + 00.00



STA. 445+50

TOPSOIL REMOVAL	92.7 SF
REMOVAL AND DISPOSAL OF UNSUITABLE MATERIALS	0.0 SF
POROUS GRANULAR EMBANKMENT, SUBGRADE	0.0 SF
EARTH EXCAVATION	4.6 SF
EMBANKMENT	627.7 SF

445 + 50.00



USER NAME	ods
FILE NAME	...2189_sht_xasht-ctk.dgn
PLST SCALE	10.0000
PLST DATE	2/2/2012

DESIGNED	JSM
DRAWN	JSM
CHECKED	DNM
DATE	02/06/12

STATE OF ILLINOIS  
DEPARTMENT OF TRANSPORTATION

CROSS SECTIONS - ATKINSON ROAD

SCALE: 1"=5'V/10'H SHEET NO. 10 OF 26 SHEETS STA. 445+50.00 TO STA. 446+50.00

F.A.U. RTE.	SECTION	COUNTY	TOTAL SHEETS
198	00-00045-00-PV	LAKE	195 149
CONTRACT NO.			63640