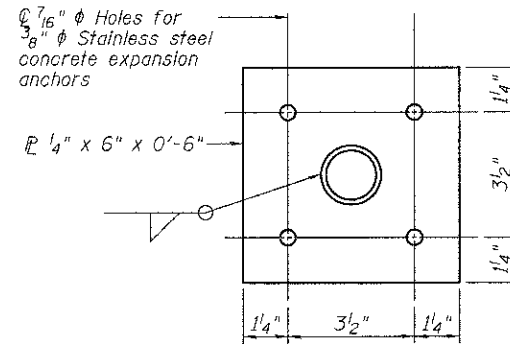
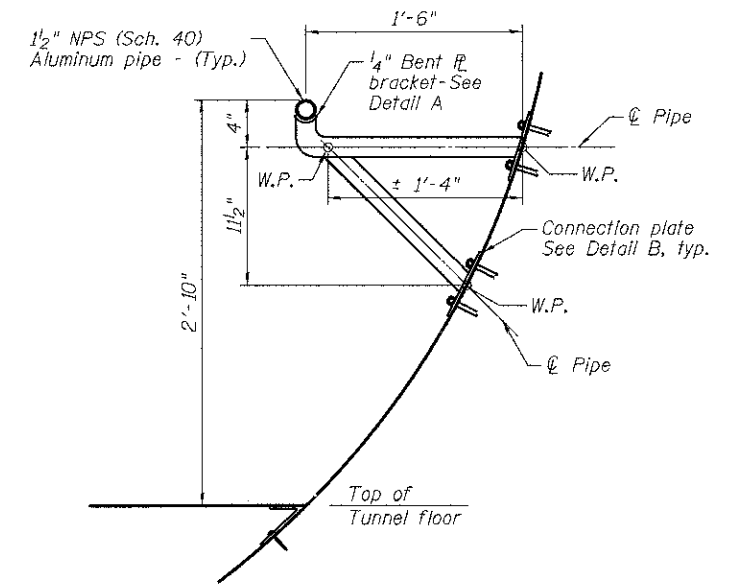


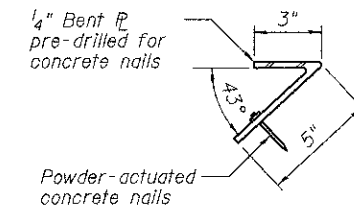
DETAIL A



DETAIL B



**ELEVATION
TUNNEL HANDRAIL**



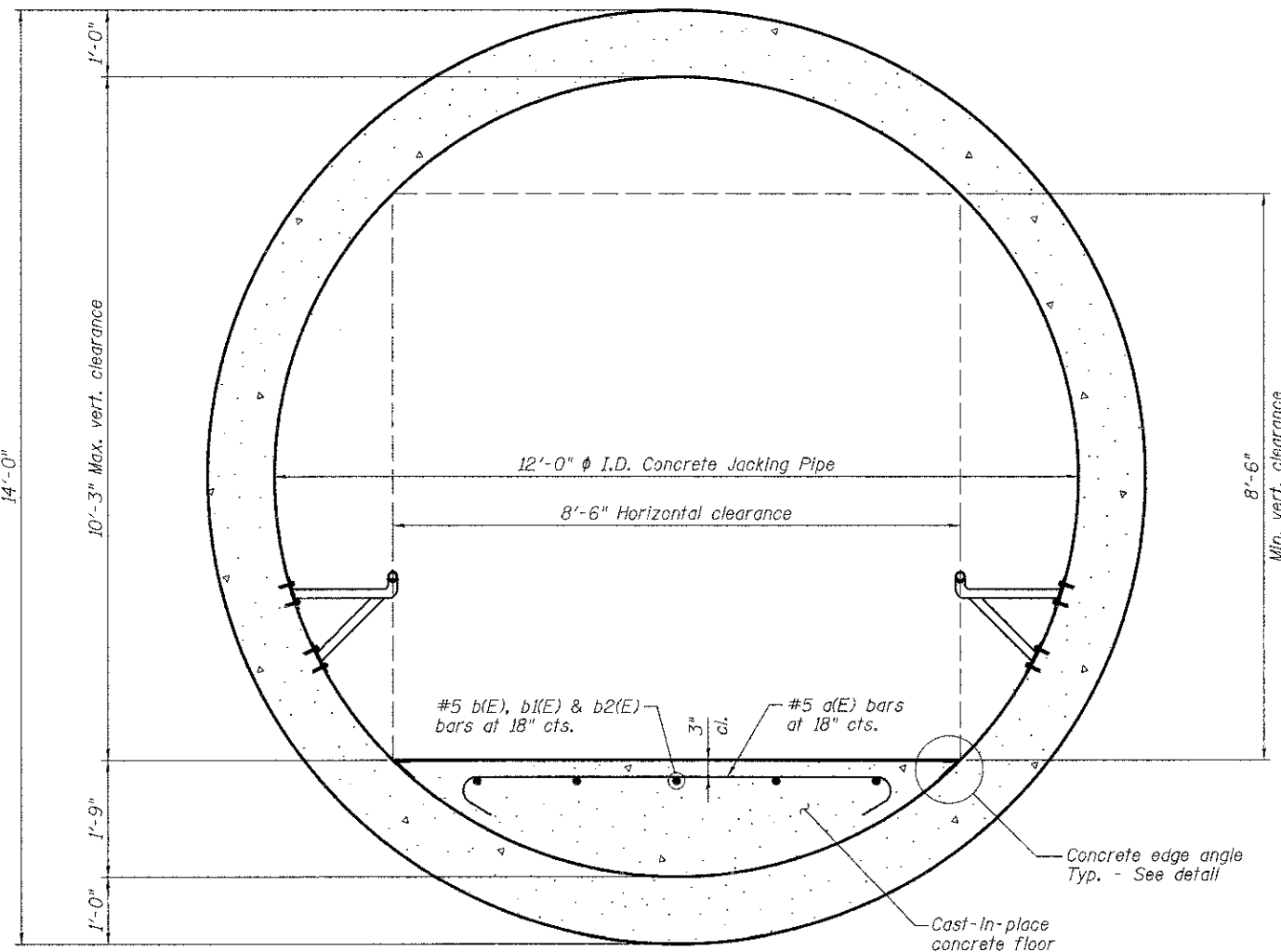
**DETAIL
CONCRETE EDGE ANGLE**

BILL OF MATERIAL

Item	Unit	Total
Concrete Jacking Pipe Special, Tunneled	Foot	140
Furnish and Install Handrail	Foot	280
Coating System for Concrete	Sq. Ft.	3,960

NOTES

- All tunneling procedures, tunneling operations and monitoring during the boring and jacking of the concrete jacking pipe shall adhere to the Special Provision entitled "Concrete Jacking Pipe Special, Tunneled."
- The tunnel handrail shall conform to the Special Provision "Furnish and Install Handrail."
- The bent plate material for the concrete floor edge shall be AASHTO M 270 Grade 36. Material and installation for this detail will not be paid for separately, but shall be included in the Contract unit price for Concrete Structures.



SECTION THROUGH TUNNEL

FILE NAME = W:\Projects\2010\1000P\1_Surveys\SP211_Surveys\Structural\Drawings\Tunnel\Structure\Detail.dgn