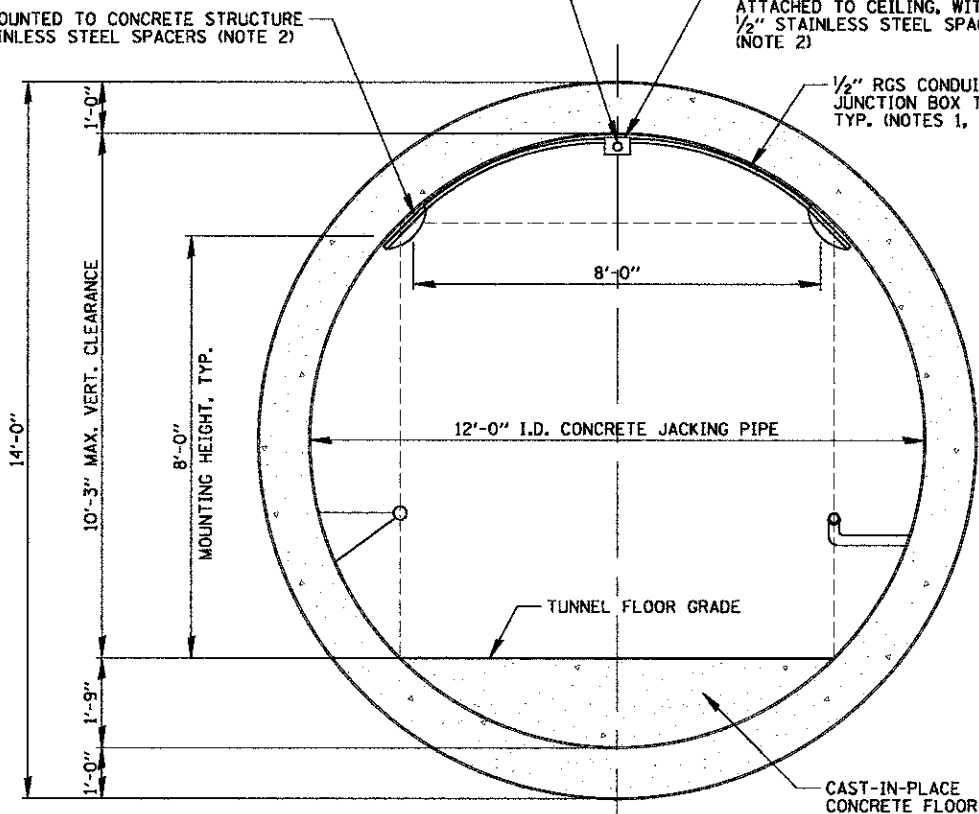


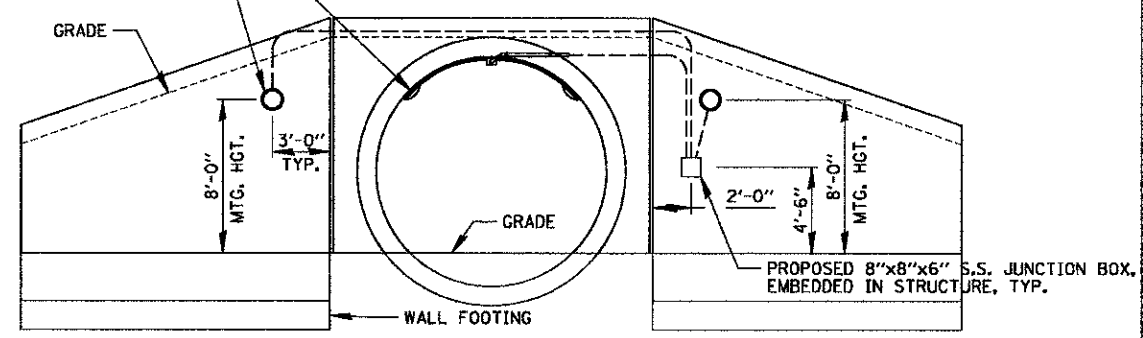
- NOTES:
1. SECURE THE CONDUITS (ATTACHED TO STRUCTURE) WITH GALVANIZED STEEL CONDUIT CLAMPS (AND CLAMP BACKS) AT 5'-0" INTERVALS FOR LATERALS AND WITHIN 2'-0" MAXIMUM FROM ANY JUNCTION BOX, FLEXIBLE CONDUIT, OR CHANGE IN DIRECTION.
 2. ALL CONDUITS, BOXES, AND FIXTURES SHALL BE FASTENED WITH EXPANSION TYPE ANCHORS, POWDER ACTUATED FASTENERS WILL NOT BE ALLOWED. EXPANSION ANCHOR MUST BE SIZED IN ACCORDANCE WITH MANUFACTURERS REQUIREMENTS.
 3. EXPANSION COUPLING SHALL BE PROVIDED AND INSTALLED WHERE REQUIRED, AND SHALL BE INCIDENTAL TO CONDUIT.

LUMINAIRE SCHEDULE

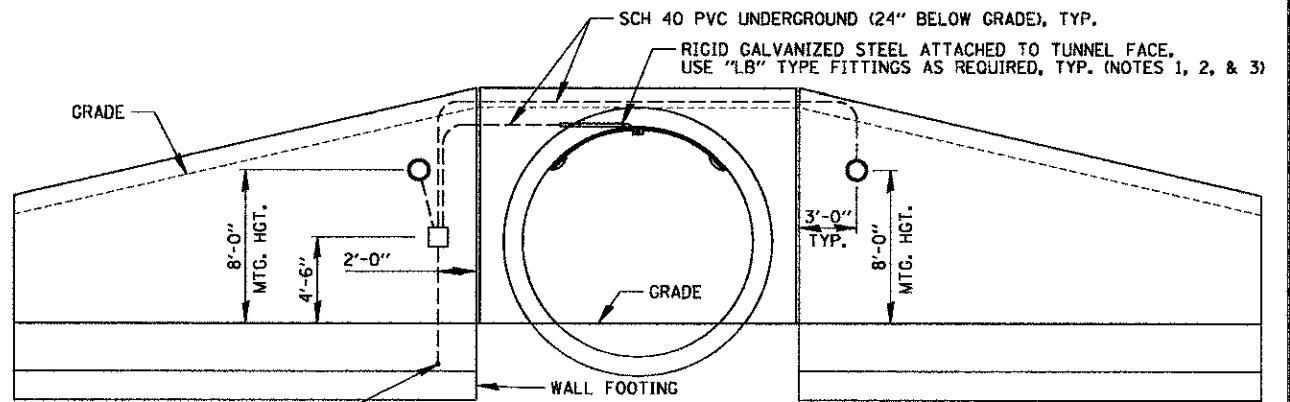
TYPE	MANUFACTURER	MODEL #
TUNNEL	A	LITHONIA VGRIC-50LED41-MVOL-T-DBLB-LP1
	B	KENALL MR13FD-PP-MB-50L57K-DV
EMERGENCY	A	LITHONIA INDX1236-W-H1212-UL-T
	B	COOPER UEL1-WH-SD-TDM



SECTION A-A
N.T.S.



WEST WALL ELEVATION
N.T.S.



EAST WALL ELEVATION
N.T.S.

FILE NAME: W:\Projects\2010\1001091_SouthSpPett\Road\Civil\Drawn\Sh\LOT_02.dgn

CHRISTOPHER B. BURKE ENGINEERING, LTD.
8675 W. Higgins Road, Suite 600
Rosemont, Illinois 60018
(847) 823-0500

WILLS BURKE KELSEY ASSOCIATES LTD.
110 West Main Street, Suite 201
St. Charles, Illinois 60174

USER NAME = nperris	DESIGNED - AJD	REVISED -
PLOT SCALE =	DRAWN - KWB	REVISED -
PLOT DATE = 5/18/2012	CHECKED - AJD	REVISED -
	DATE - 5/14/12	REVISED -

STATE OF ILLINOIS
DEPARTMENT OF TRANSPORTATION

TUNNEL LIGHTING		F.A.P. RTE. 0336	SECTION 00-00259-00-BT	COUNTY KANE	TOTAL SHEETS 79	SHEET NO. 50
SCALE: SHEET NO. 50 OF 79 SHEETS		STA. TO STA.		CONTRACT NO. 63667		

F.A.P. RTE. 0336	SECTION 00-00259-00-BT	COUNTY KANE	TOTAL SHEETS 79	SHEET NO. 50
ILLINOIS FED. AID PROJECT				